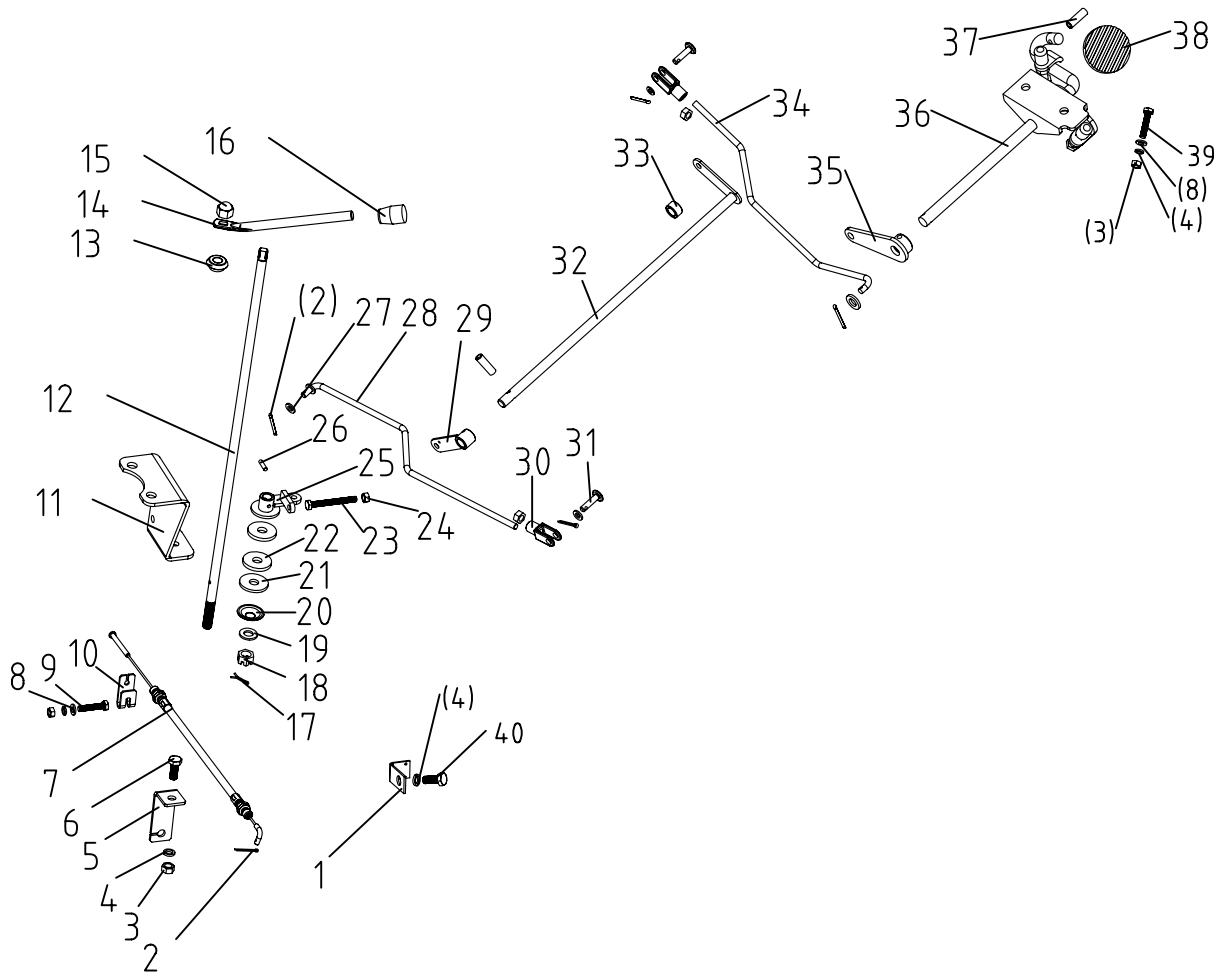


1 油门操纵机构总成 Throttle Control Mechanism



1 油门操纵机构总成 Throttle Control Mechanism

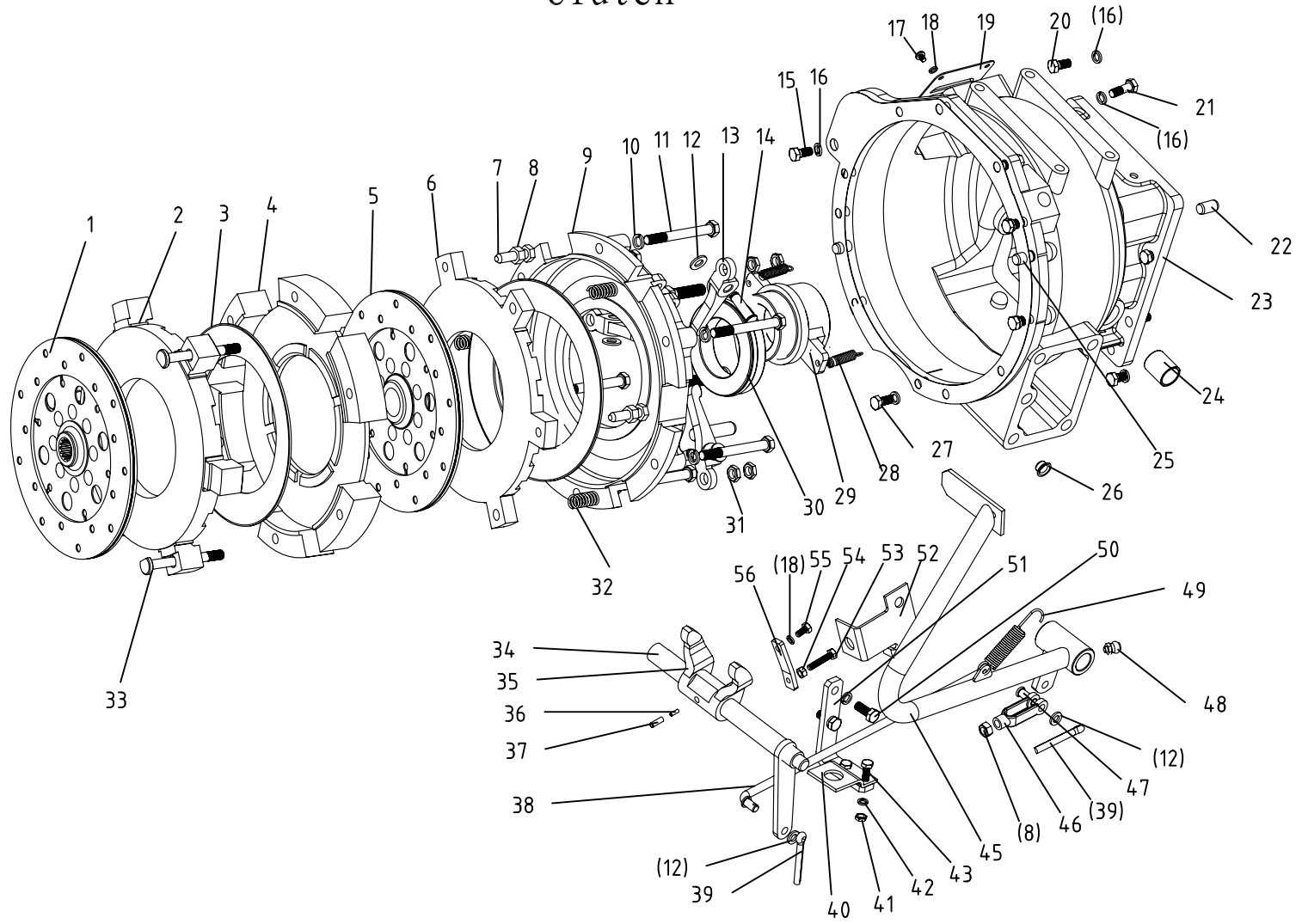
Ser.No.	Part No.	名称及规格	Name & Specifications	Quantity	Remarks
1	300.20A.108	支架 (II)	Bracket (II)	1	
2	GB/T91-2000-2×16	销2×16	Split pin 2×16	5	
3	GB/T6170-2000-M8	螺母M8	Hex. Nut M8	4	
4	GB/T93-1987-8	垫圈8	Spring lock washer 8	5	
5	300.20A.107	支架	Bracket	1	
6	GB/T5783-2000-M8×20	螺栓M8×20	Hex. head bolt M8×20	1	
7	300.20A.014	手油门拉线组合件	Pull-thread, hand throttle	1	
8	GB/T97.1-2002-8	垫圈 8	Plain washer 8	4	
9	GB/T5783-2000-M8×35	螺栓M8×35	Hex. Head bolt M8×35	1	
10	300.20A.110	夹头	Collet	1	
11	300.20A.013	操纵杆支架焊合件	Bracket, joy stick	1	
12	300.20A.103	操纵杆	Joy stick	1	
13	300.20A.117-1	橡皮圈	Rubber band	1	
14	300.20A.109	手摇杆	hand lever	1	
15	GB/T923-1988-M10	螺母 M10	Hex. acorn nut M10	1	
16	81B.30.120	撑脚手柄套	Plastic handle	1	
17	GB/T91-2000-2.5×28	销2.5×28	Split pin 2.5×28	1	
18	GB/T6181-2000-M10	螺母 M10	Hex. castle nut M10	1	
19	GB/T95-2002-10	垫圈10	Plain washer10	1	
20	300.20A.105	碟形弹簧	Disc spring	1	
21	300.20A.104	大垫圈	Big washer	2	
22	300.20A.111	摩擦片	Friction disc	2	
23	GB/T5783-2000-M6×55	螺栓M6×55	Hex. head bolt M6×55	1	
24	GB/T6170-2000-M6	螺母M6	Hex. Nut M6	3	
25	300.20A.016-1	摇臂焊合件	Rocker	1	

1 油门操纵机构总成 Throttle Control Mechanism

续表

Ser.No.	Part No.	名称及规格	Name & Specifications	Quantity	Remarks
26	GB/T879.1-2000-4×16	销 4×16	Slotted spring pin 4×16	2	
27	GB/T97.1-2002-6	垫圈 6	Plain washer 6	4	
28	300-6.20.019	油门拉杆焊合件	Throttle pull-rod	1	
29	300.20.012	摇臂焊合件	Rocker	1	
30	200.20.101	连接叉	Connect clevis	2	
31	GB/T882-1986-B6×22	销轴B6×22	Clevis pin with head B6×22	2	
32	300.20A.012	油门传动轴焊合件	Accelerograph transmission shaft	1	
33	300.20A.101	垫套	Cushion sleeve	1	
34	300-6.20.018	脚油门拉杆焊合件	Foot Pull rod, throttle	1	
35	550.20.015-1	摇臂焊合件	Rocker	1	
36	254-5.20A.016	脚油门踏杆总成	Pull rod, throttle	1	
37	GB/T879.1-2000-5×20	销 5×20	Slotted spring pin 5×20	2	
38	354-5.20.011	油门踏板焊合件	accelerator pedal	1	
39	GB/T5783-2000-M8×25	螺栓M8×25	Hex. head bolt M8×25	1	
40	GB/T5783-2000-M8×16	螺栓M8×16	Hex. head bolt M8×16	1	

2 离合器总成 Clutch



2 离合器总成 Clutch

Ser.No.	Part No.	名称及规格	Name & Specifications	Quantity	Remarks
1	400-6.21.013	主离合器从动盘总成	Driven plate ,main clutch	1	
2	300.21C.103-1	主离合器压盘	Pressure plate, main clutch	1	
3	300.21A.102-2	碟形弹簧	Disc spring	2	
4	300.21C.104	离合器固定压盘	Fixed pressure plate, clutch	1	
5	400-6.21.012	PTO 离合器从动盘总成	Driven plate, PTO clutch	1	
6	300.21C.106-1	PTO 离合器压盘	Pressure plate, PTO clutch	1	
7	300.21C.113-1	调整螺栓	Adjusting bolt	3	
8	GB/T6171-2000-M10×1	螺母 M10×1	Fine thread hex. nut M10×1	5	
9	300.21C.107-1	离合器盖	Clutch cover	1	
10	GB/T93-1987-10	垫圈 10	Spring lock washer 10	10	
11	GB/T5782-2000-M10×90	螺栓 M10×90	Hex. head bolt M10×90	6	
12	GB/T97.1-2002-10	垫圈 10	Plain washer 10	10	
13	300.21C.116-1	主分离杠杆	Main release lever	3	
14	300.21B.157	分离杠杆销轴	Clevis pin with head	3	
15	GB/T5783-2000-M12×50	螺栓 M12×50	Hex. head bolt M12×50	1	
16	GB/T93-1987-12	垫圈 12	Spring lock washer 12	23	
17	GB/T65-2000-M6×16	螺钉M6×16	Slotted cheese head screw M6×16	4	
18	GB/T93-1987-6	垫圈6	Spring lock washer 6	5	
19	300.37.131-1	盖板	Inspection opening cover	1	
20	GB/T5783-2000-M12×35	螺栓 M12×35	Hex. head bolt M12×35	11	
21	GB/T5783-2000-M12×55	螺栓 M12×55	Hex. head bolt M12×55	2	
22	GB/T119-2000-B10×22	销轴 B10×22	Clevis pin with head B10×22	2	
23	300-6.21.101	离合器壳体	Clutch housing	1	
24	300-6.21.116	离合器轴衬套	Clutch shaft bush	2	
25	300.37.154	圆柱销	Parallel pin	2	

2 离合器总成 Clutch

续表

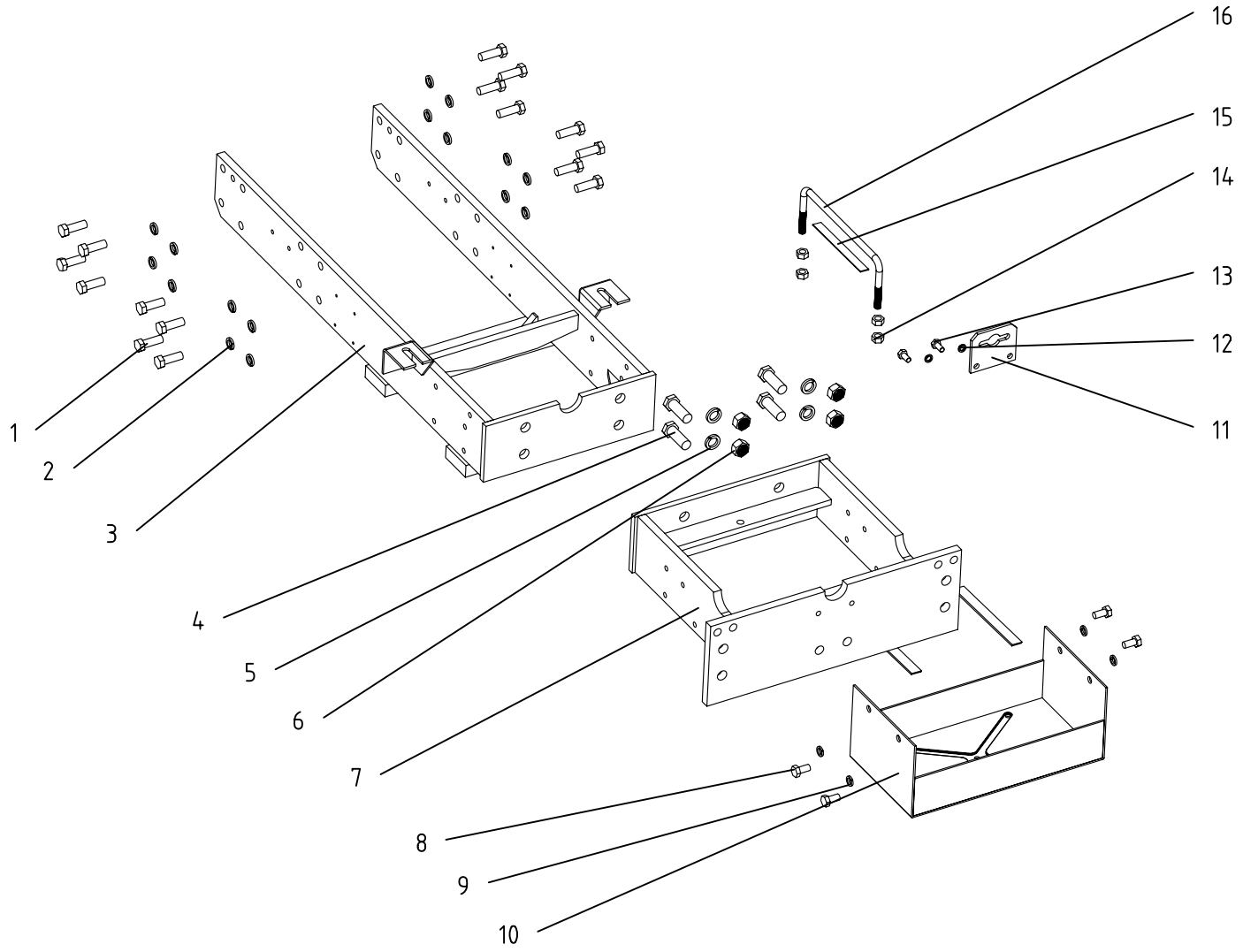
Ser.No.	Part No.	名称及规格	Name & Specifications	Quantity	Remarks
26	300.37.180	螺孔封套	Protecting plug , thread hole	10	
27	GB/T5783-2000-M12×45	螺栓 M12×45	Hex. head bolt M12×45	9	
28	280.21.110	分离轴承回位弹簧	Return spring,release bearing	2	
29	304-6.21.114	分离轴承座	Release bearing seat	1	
30	65TNK20	分离轴承	Release bearing	1	
31	GB/T6173-2000-M10×1	螺母 M10×1	Fine thread hex. nut M10×1	6	
32	300.21C.115	回位弹簧	Return spring	3	
33	300.21C.114-1	调整螺栓	Adjusting bolt	3	
34	280.21.013-A	分离轴焊合件	Release shaft	1	
35	280.21.111	离合器拨叉	Release fork	1	
36	GB/T879.1-2000-5×40	销5×40	Spring split pin 5×40	1	
37	GB/T879.1-2000-8×40	销 8×40	Spring split pin 8×40	1	
38	280.21.117-1	分离拉杆	Lever release pull rod	1	
39	GB/T91-2000-3×25	开口销 3×25	Split pin 3×25	2	
40	280.21.120	离合器传感器支板	Clutch sensor bracket	1	
42	GB/T6172-2000-M8	螺母 M8	Fine thread hex. nut M8	2	
43	GB/T93-1987-8	垫圈 8	Spring lock washer 8	2	
44	GB/T5783-2000-M8×20	螺栓 M8×20	Hex. head bolt M8×20	2	
45	280.21.015-1	脚踏板焊合件	Pedal weldment	1	
46	300.21A.148	拉杆叉头	Rod clevis	2	
47	GB/T882-1986-B10×30	销轴 B10×30	Clevis pin with head B10×30	1	
48	JB/T7940.2-1995-M10×1	油杯 45° M10×1	Angle grease nipple 45° M×1	1	
49	300.21A.147-2	拉簧	Extension spring	1	

2 离合器总成 Clutch

续表

Ser.No.	Part No.	名称及规格	Name & Specifications	Quantity	Remarks
50	GB/T5783-2000- M10×25	螺栓 M10×25	Hex. head bolt M10×25	2	
51	280.21.119-1	脚踏限位板	Limit stop	1	
52	280.21.122	安全开关支架	safety switch bracket	1	
53	300.21C.133	调整螺栓	Adjusting bolt	1	
54	GB/T6170-2000-M6	螺母 M6	Hex. nut M6	1	
55	GB/T5783-2000-M6×12	螺栓 M6×12	Hex. head bolt M6×12	1	
56	300.21C.131	安全开关顶板	board for safety switch	1	
	400-6.21.clutch	离合器部件	Clutch parts	1	No. 1-14+No. 31-33

3 机架总成 Frame

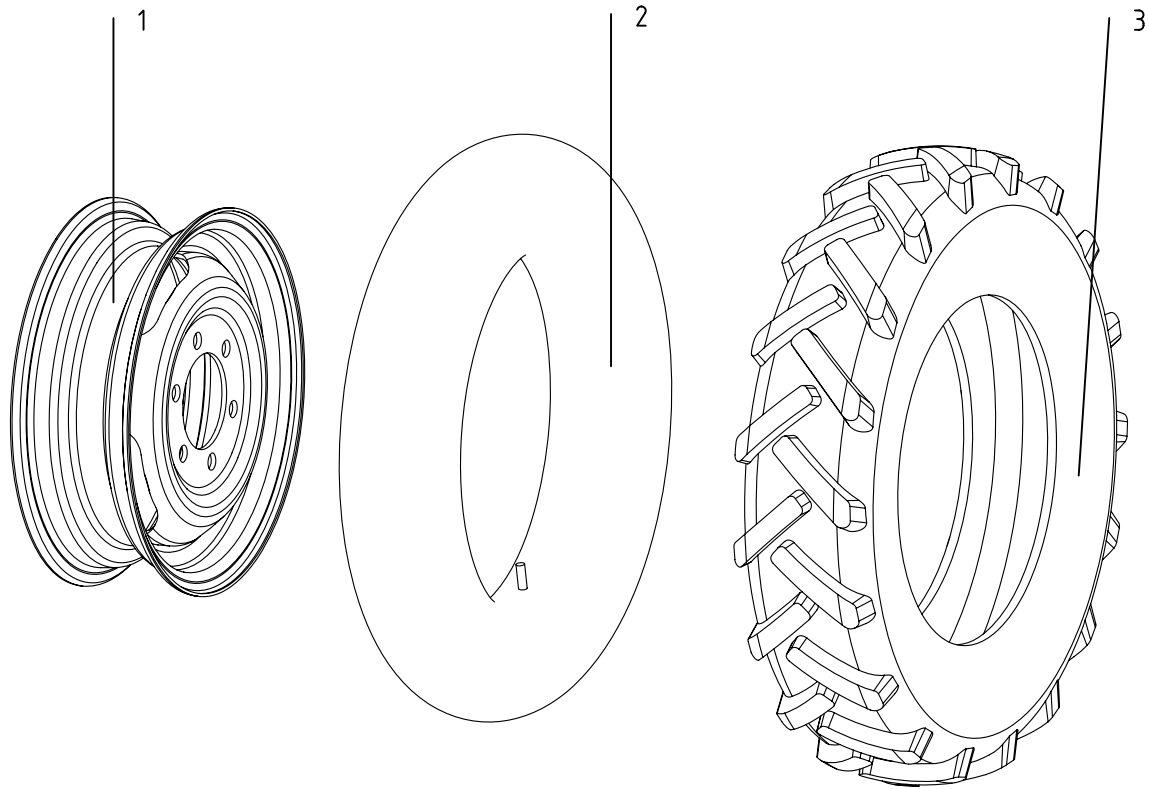


3 机架总成

Frame

Ser.No.	Part No.	名称及规格	Name & Specifications	Quantity	Remarks
1	GB/T5783-2000-M12×35	螺栓M12×35	Hex.head bolt M12x35	16	8.8级
2	GB/T93-1987-12	垫圈12	Spring Lock washer12	16	
3	304-6E.30.011	机架焊合件	Frame	1	
4	GB/T5783-2000-M16×45	螺栓M16×45	Hex.head bolt M16x45	4	8.8级
5	GB/T93-1987-16	垫圈16	Spring Lock washer16	4	
6	GB/T6170-2000-M16	螺母M16	Hex .nut M16	4	8级
7	304G2-6.30.012-1	配重架焊合件	Assistant weight support	1	
8	GB/T5783-2000-M10×20	螺栓M10×20	Hex.head bolt M10x20	4	
9	GB/T93-1987-10	垫圈10	Spring Lock washer10	4	
10	304G2-6.30.013	电瓶架焊合件	Battery bracket	1	
11	250.30.116	手摇起动支承板	Starting crank gate	1	
12	GB/T93-1987-8	垫圈8	Spring Lock washer8	2	
13	GB/T5783-2000-M8×16	螺栓M8×16	Hex.head bolt M8x16	2	
14	GB/T6170-2000-M10	螺母M10	Hex .nut M10	4	
15	300.47.143	电瓶胶垫	rubber gasket	3	
16	304G2-6.30.110	U型螺栓	U model of bolt	1	

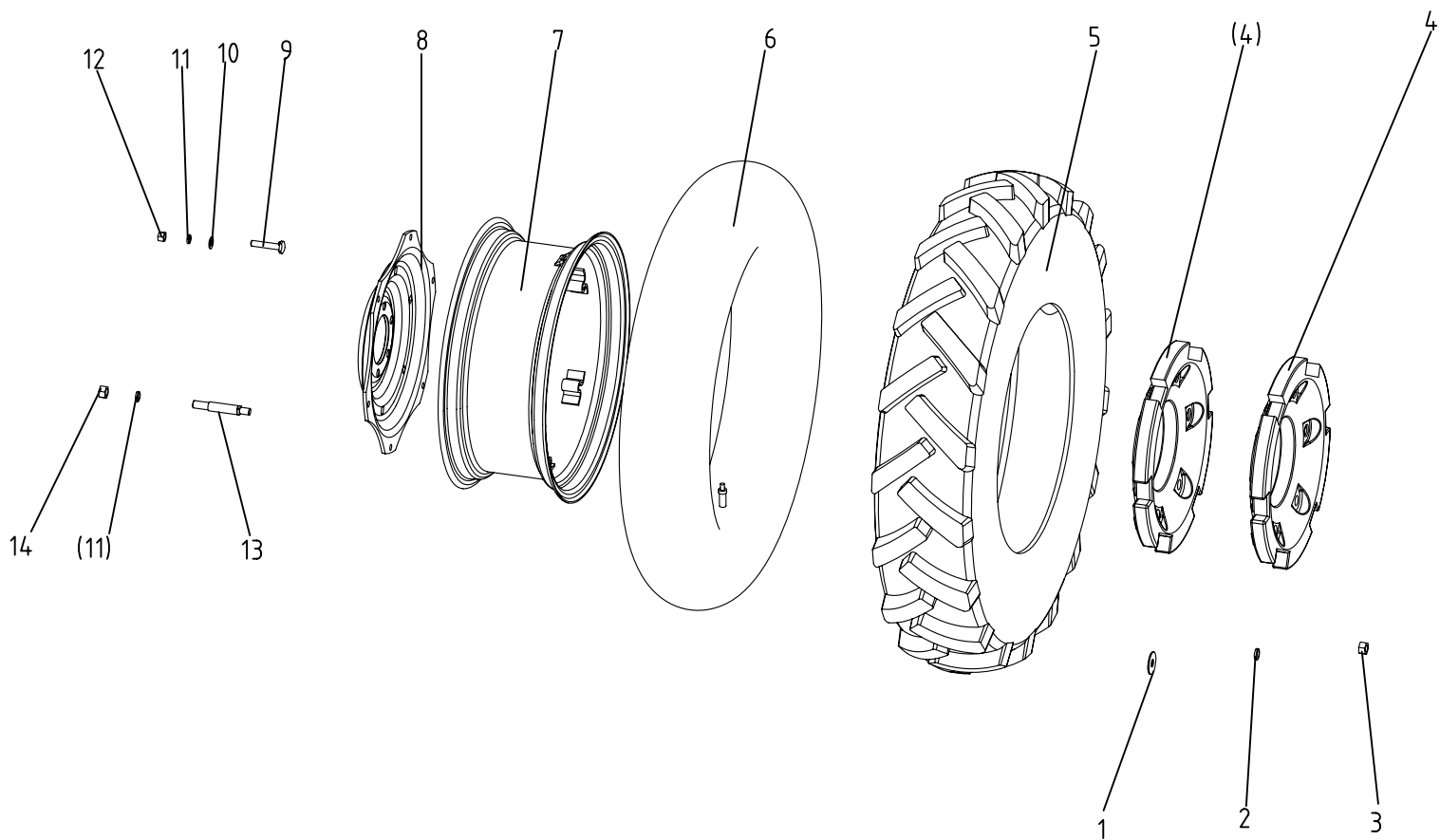
4 前驱动轮总成 (6.00-12)
Front Drive Wheel (6.00-12)



4 前驱动轮总成(6.00-12) Front Drive Wheel (6.00-12)

Ser.No.	Part No.	名称及规格	Name & Specifications	Quantity	Remarks
1	204.32.011-1	轮辋总成	Rim , Front drive wheel	1×2	
2	GB/T2979-1999-6.00-12	驱动轮内胎 6.00-12	Tube 6.00-12	1×2	
3	GB/T2979-1999-6.00-12	驱动轮外胎 6.00-12	Tire 6.00-12	1×2	

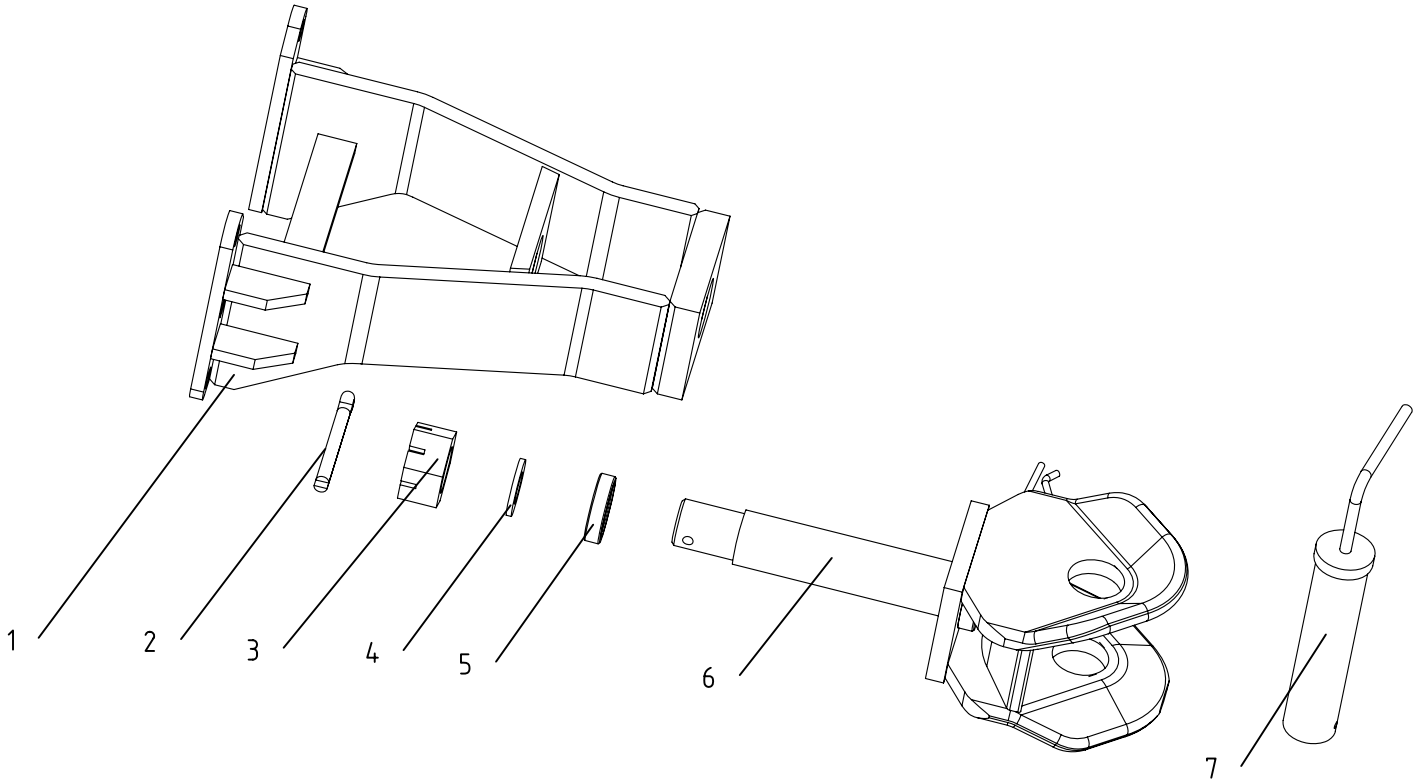
5 驱动轮总成 (9.5-24)
Drive Wheel (9.5-24)



5 驱动轮总成 (9.5-24) Drive Wheel (9.5-24)

Ser.No.	Part No.	名称及规格	Name & Specifications	Quantity	Remarks
1	GB/T96-2002-16	垫圈 16	Large plain washer 16	3×2	
2	GB/T93-1987-16	垫圈 16	Spring lock washer 16	3×2	
3	GB/T6170-2000-M16	螺母 M16	Hex. nut M16	3×2	
4	200.34.103-2	驱动轮配重	Rear wheel ballast	2×2	
5	GB/T2979-1999-9.5-24	驱动轮外胎 9.5-24	Tire 9.5-24	1×2	
6	GB/T2979-1999-9.5-24	驱动轮内胎 9.5-24	Tube 9.5-24	1×2	
7	300-6.34.020	轮辋焊合件	Wheel rim	1×2	
8	200.34.110-2	后轮幅板	Wheel disc	1×2	
9	200.34.115	轮辋螺栓	Attachment bolt	6×2	
10	GB/T97.1-2002-14	垫圈 14	Plain washer 14	6×2	
11	GB/T93-1987-14	垫圈 14	Spring lock washer 14	9×2	
12	GB/T6176-2000- M14×1.5	螺母 M14×1.5	Fine thread hex. nut M14×1.5	6×2	
13	300-6.34.104	配重螺栓	Bolt for ballast	3×2	
14	GB/T6170-2000-M14	螺母 M14	Hex. nut M14	3×2	

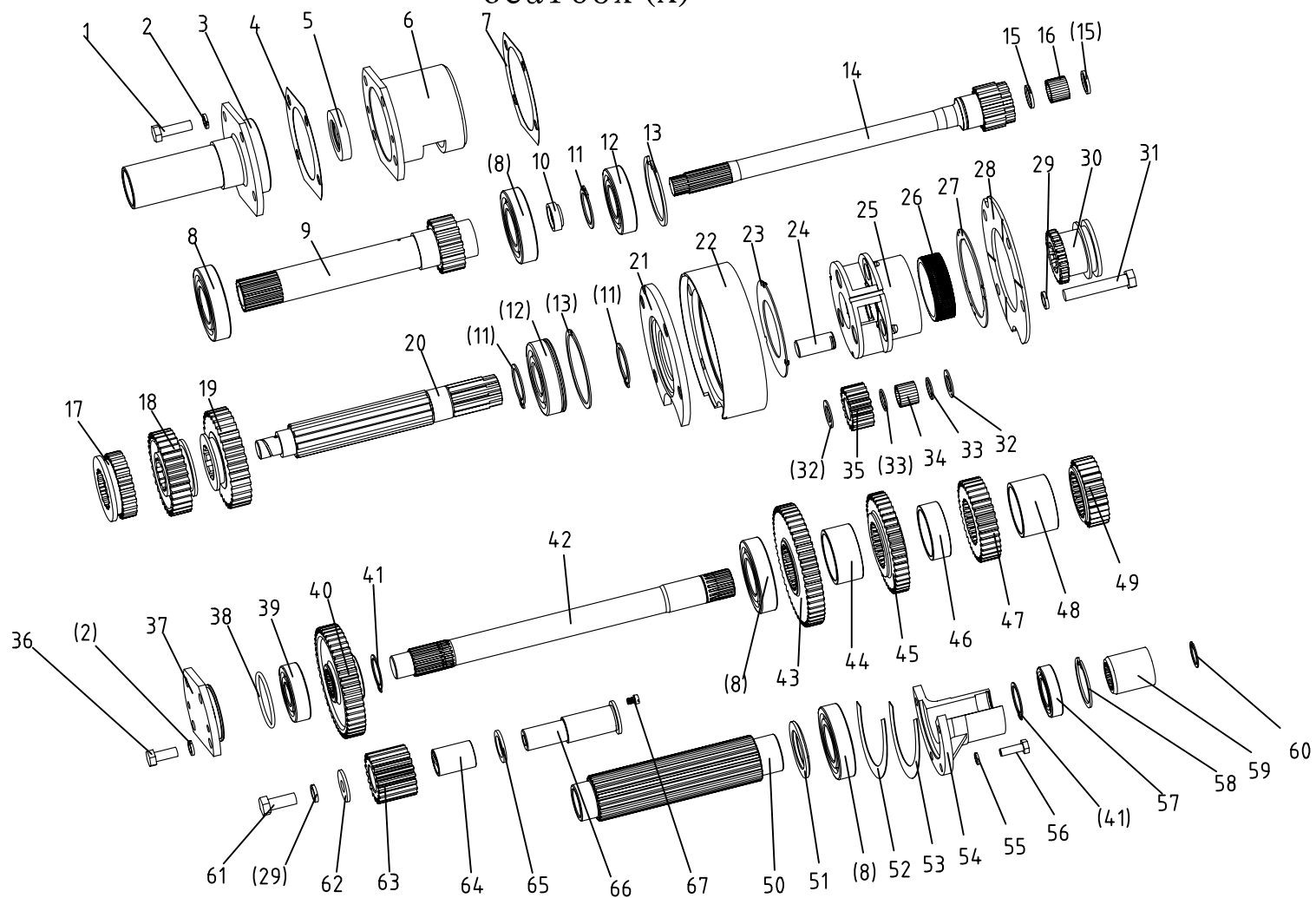
6 牵引装置总成 Clevis Type



6 牵引装置总成 Clevis Type

Ser.No.	Part No.	名称及规格	Name & Specifications	Quantity	Remarks
1	300-6.35B.011	牵引架焊合件	Drawbar frame	1	
2	GB/T91-2000-8×60	销8×60	Split pin 8×60	1	
3	GB/T6181-2000-M36×3	螺母 M36×3	Hex. Nut M36×3	1	
4	GB/T97.1-2002-36	垫圈 36	Plain washer 36	1	
5	300-6.35B.101	套筒	Cushion sleeve	1	
6	300-6.35B.013	连接架焊合件	Connect frame	1	
7	300-6.35.018	插销焊合件(二)	Hitch pin (二)	1	
	300-6.35.001	牵引架装置总成(旋转式)	Clevis type	1	No. 1-7

7.1 变速箱总成 (A) Gearbox (A)



7.1 变速箱总成(A) Gearbox(A)

Ser.No	Part No.	名称及规格	Name & Specifications	Quantity	Remarks
1	GB/T5783-2000- M10×35	螺栓 M10×35	Hex. head bolt M10×35	4	
2	GB/T93-1987-10	垫圈 10	Spring lock washer 10	8	
3	280.37.115	一轴前轴承盖	Front bearing cover , shaft I	1	
4	300.37.105-1	一轴前轴承盖衬垫	Bearing cover gasket, shaft I	1	
5	JB2600-80-SG35×55×10	油封 SG35×55×10	Oil seal SG35×55×10	1	
6	300.37.148-2	一轴轴承座	Bearing seat , shaft I	1	
7	300.37.106-1	一轴前轴承座衬垫	Bearing seat gasket , shaft I	1	
8	GB/T276-1994-6208	轴承 6208	Ball bearing 208	2	
9	300.37.103-A	输入轴(1000/540)	Input shaft (1000/540)	1	
10	300.37.107-2	输入轴油封	Oil seal	1	
11	GB/T894.1-1986-35	挡圈 35	Circlip for shaft 35	3	
12	GB/T276-1994-650307	轴承 650307	Snap ring ball bearing 650307	2	
13	GB/T305-1998-80	止动环 80	Snap ring 80	2	
14	300.37.102-3	一轴常啮合齿轮	Constant-mesh gear , shaft I	1	
15	200.37.105	滚针止推圈	Thrust washer ,roller	2	
16	GB/T309-2000-2.5×19.8	滚针 2.5×19.8	Needle roller 2.5×19.8	28	
17	300.37.115-1	二轴三四档齿轮	3rd& 4th speed gear , shaft II	1	
18	300.37.116-1	二轴二档齿轮	2nd speed gear, shaft II	1	
19	300.37.117-1	二轴一档齿轮	1st speed gear, shaft II	1	
20	200.37.137	二轴	shaft II	1	
21	200.37.120-1	二轴后轴承盖	Rear bearing cover , Shaft II	1	
22	200.37.208	齿圈	Ring gear	1	
23	200.37.201	行星架前垫片	Front shim , planet carrier	1	
24	200.37.202	行星齿轮轴	Planet gear shaft	3	
25	200.37.209	行星齿轮架	Planet carrier	1	

7.1 变速箱总成(A) Gearbox(A)

续表

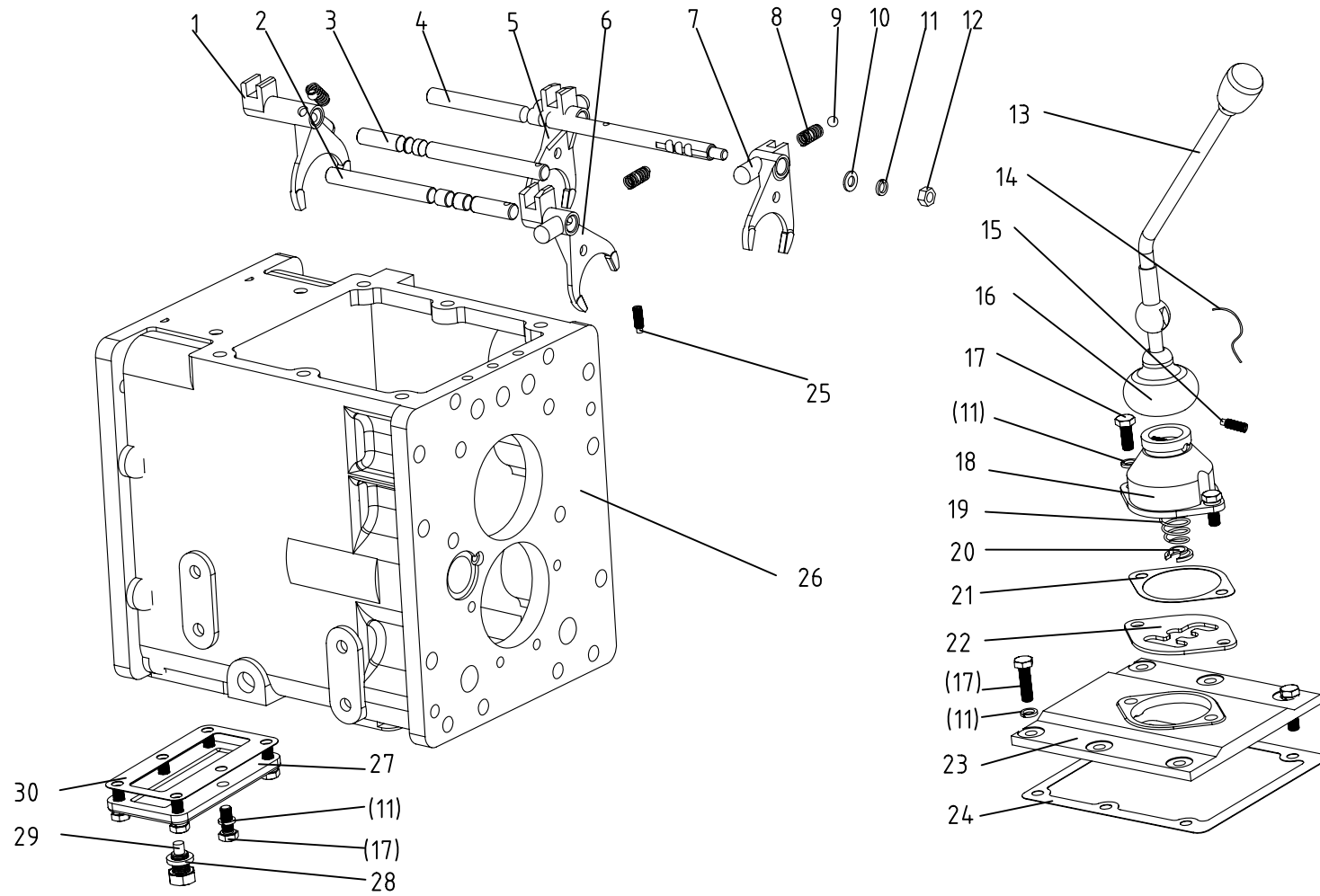
Ser.No	Part No.	名称及规格	Name & Specifications	Quantity	Remarks
26	200.37.210	行星轮架花键圈	Splined ring , planet carrier	1	
27	200.37.205	行星架后垫片	Rear shim , planet carrier	1	
28	200.37.206	行星轮架后盖	Rear cover , planet carrier	1	
29	GB/T93-1987-12	垫圈 12	Spring lock washer 12	5	
30	200.37.212	接合齿套	Sliding gear	1	
31	GB/T5782-2000-M12×70	螺栓 M12×70	Hex. head bolt M12×70	4	
32	200.37.204	行星轮垫片	Shim ,Planet gear	6	
33	200.37.203	行星轮滚针隔圈	Needle bearing retainer	6	
34	GB/T309-2000-3×19.8	滚针 3×19.8	Needle roller 3×19.8	66	
35	200.37.207	行星齿轮	Planet gear	3	
36	GB/T5783-2000- M10×25	螺栓 M10×25	Hex. head bolt M10×25	4	
37	300.37.152-1	中间轴前轴承盖	Front bearing cover , counter-shaft	1	
38	GB/T3452.1-1992-54.5×3.55	O形圈 54.5×3.55	O-ring seal 54.5×3.55	1	
39	GB/T276-1994-6305	轴承 6305	Ball bearing 6305	1	
40	300.37.149-A	动力输出传动齿轮(1000/540)	PTO transmission gear (1000/540)	1	
41	GB/T894.1-1986-30	挡圈 30	Circlip for shaft 30	2	
42	300.37.134-1	动力输出传动轴	PTO transmission shaft	1	
	300.37.134-1	动力输出传动轴(带孔)	PTO transmission shaft	1	轴头带孔4WD用
43	300.37.146-1	中间轴常啮合齿轮	Constant-mesh gaer , counter-shaft	1	
44	300.37.145-1	中间轴前隔套	Front spacer sleeve , counter--shaft	1	
45	300.37.143-2	中间轴三档齿轮	3rd speed gear, counter-shaft	1	
46	300.37.142-1	中间轴中间隔套	Middle spacer sleeve, counter-shaft	1	
47	300.37.140-1	中间轴二档齿轮	2nd speed gear, counter-shaft	1	
48	300.37.138	中间轴后隔套	Rear spacer sleeve, counter-shaft	1	

7.1 变速箱总成(A) Gearbox(A)

续表

Ser.No	Part No.	名称及规格	Name & Specifications	Quantity	Remarks
49	300.37.137-1	中间轴一档齿轮	1st speed gear I gear , counter-shaft	1	
50	280.37.112	中间轴	Counter-shaft	1	
51	280.37.111	中间轴后轴端挡圈	Rear Retaining ring, counter-shaft	1	
52	280.37.200	调整垫片	Adjusting shim	1	
53	280.37.201	调整垫片	Adjusting shim	1	
54	280.37.110	中间轴后轴承盖	Rear bearing cover , counter-shaft	1	
55	GB/T93-1987-8	垫圈 8	Spring lock washer 8	4	
56	GB/T5783-2000-M8×25	螺栓 M8×25	Hex. head bolt M8×25	4	
57	GB/T276-1994-6106	轴承 6106	Ball bearing 6106	1	
58	GB/T893.1-1986-55	挡圈 55	Circlip for hole 55	1	
59	300.37.132-1	输出轴接合套	Splined sleeve	1	
60	GB/T893.1-1986-28	挡圈 28	Circlip for hole 28	1	
61	GB/T5783-2000-M12×30	螺栓 M12×30	Hex. head bolt M12×30	1	
62	200.37.111	倒档齿轮挡圈	Retaining ring , reverse gear	1	
63	300.37.169-1	倒档齿轮	Reverse gear	1	
64	200.37.146	倒档齿轮衬套	Bush , reverse gear	1	
65	200.37.114	倒档齿轮止推垫	Thrust ring , reverse gear	1	
66	200.37.116	倒档轴	Reverse gear shaft	1	
67	GB/T65-2000-M6×8	螺钉 M6×8	Cheese head screw M6×8	1	

7.2 变速箱总成 (B) Gearbox (B)



7.2 变速箱总成(B) Gearbox(B)

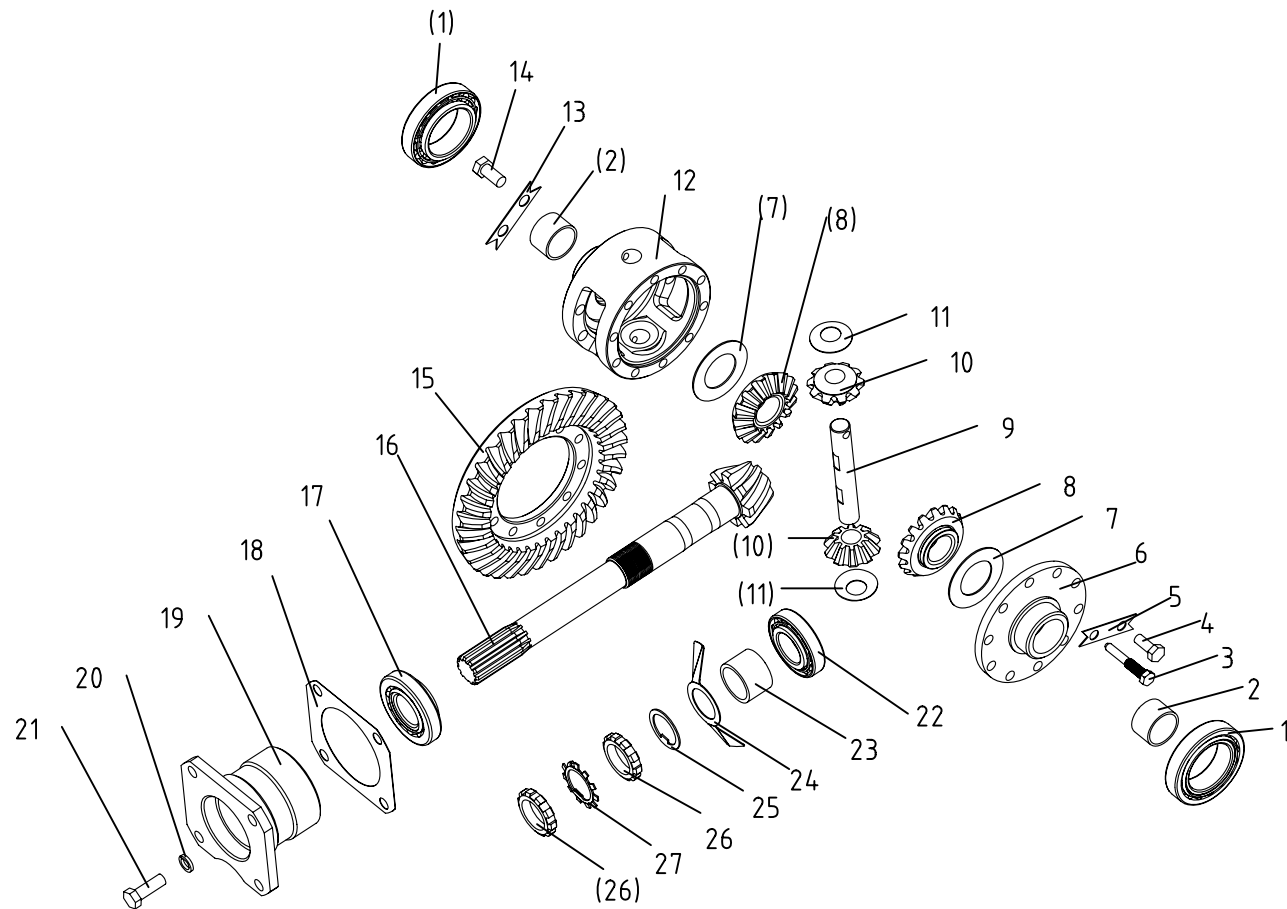
Ser.No	Part No.	名称及规格	Name & Specifications	Quantity	Remarks
1	300.37.128	中拨叉	Middle shift fork	1	
2	300.37.126	右拨叉	Right shift fork	1	
3	300.37.129-2	左拨叉轴	Shaft ,left shift fork	1	
4	300.37.127-2	中拨叉轴	Shaft , middle shift fork	1	
5	300.37.125-2	右拨叉轴	Shaft , right shift fork	1	
6	300.37.130	左拨叉	Left shift fork	1	
7	200.37.211	高低档拨叉	Shift fork , Hi- low speed range	1	
8	450.38.160	拨叉定位弹簧	Positioning spring , shift fork	4	
9	GB/T308-2002-9.5	钢球9.5	Steel ball 9.5	4	
10	GB/T97.1-2002-10	垫圈 10	Plain washer 10	1	
11	GB/T93-1987-10	垫圈10	Spring lock washer 10	15	
12	GB/T6170-2000-M10	螺母 M10	Hex. nut M10	1	
13	200.37.013-1	换档杆总成	Gear-shift lever	1	
14	GB/T343-1982-1.4×160	冷拉钢丝1.4×160	Cold drawn steel wire φ1.4×160	1	
15	GB/T75-2000-M8×12	螺钉M8×12	Set screw with dog point M8×12	2	
16	200.37.153	防尘罩	Dust boot	1	
17	GB/T5783-2000-M10×25	螺栓M10×25	Hex. head bolt M10×25	14	
18	300.37.114	换档杆座	Seat , gear shift lever	1	
19	300.37.112	变速杆弹簧	Spring , gear shift lever	1	
20	300.37.113	换档杆弹簧挡圈	Spring stopper , gear shift lever	1	
21	200.37.134	换档座衬垫	Seat gasket , gear shift lever	1	
22	200.37.133	换挡杆限位框	limit casing ,gear shift lever	1	
23	300.37.119	变速箱盖	Gearbox cover	1	
24	300.37.120	变速箱盖纸垫	Gasket , gearbox cover	1	
25	300.37.155	定位螺钉	Positioning screw	3	

7.2 变速箱总成(B) Gearbox(B)

续表

Ser.No	Part No.	名称及规格	Name & Specifications	Quantity	Remarks
26	304K.37.101	变速箱壳体	Protecting plug , thread hole	1	
27	300.37.150	底盖	Bottom cover	1	
28	12.37.149	组合密封圈	Combined seal washer	2	
29	200.38.024	放油螺栓总成	Oil drain plug	2	
30	300.37.151	底盖纸垫	Paper gasket	1	
	300-6.37.001	变速箱总成	Gearbox assembly	1	Gearbox (A) + (B)

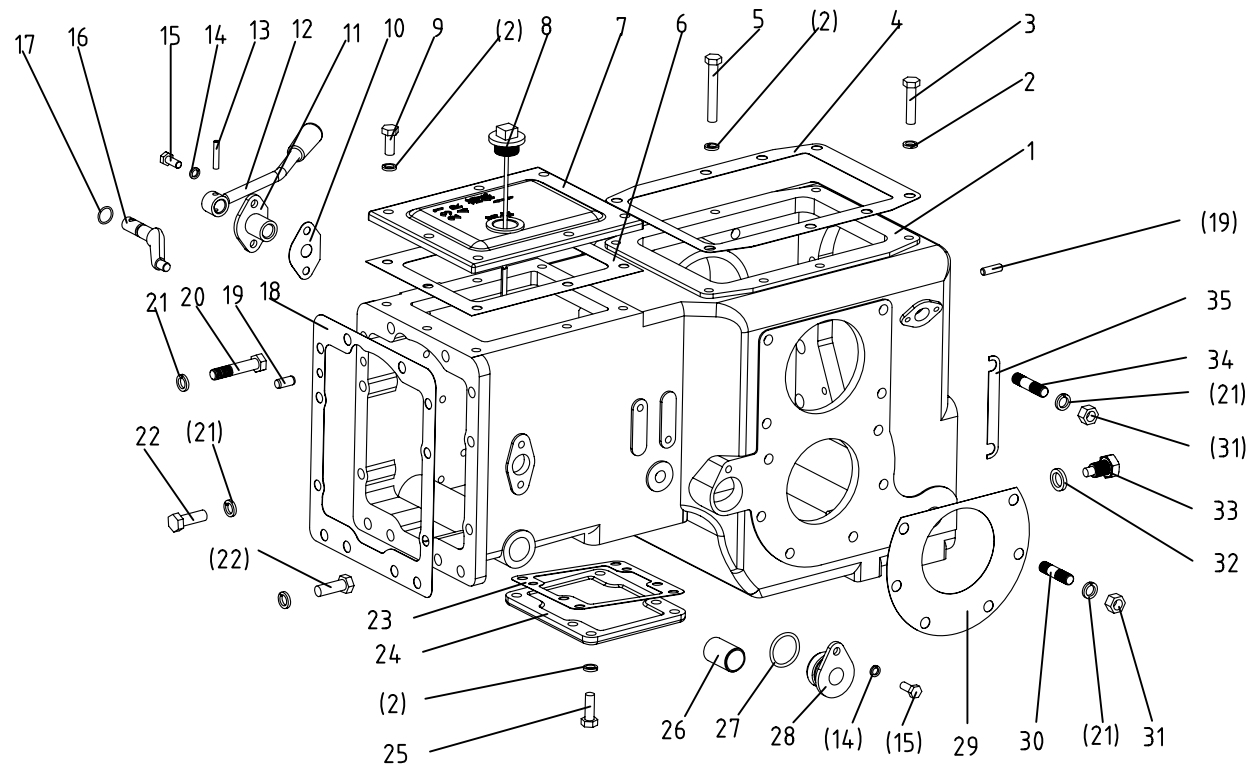
8.1 后桥总成 (A) Rear Axle (A)



8.1 后桥总成(A) Rear Axle(A)

Ser.No	Part No.	名称及规格	Name & Specifications	Quantity	Remarks
1	GB/T297-1994-32011	轴承 32011	Tapered roller bearing 32011	2	
2	200.38.124	衬套	Bush	2	
3	GB/T5783-2000-M10×25	螺栓 M10×25	Hex. head bolt M10×25	9	
4	200.38.126	行星轴固定螺钉	Fixing bolt, planet gear shaft	1	
5	200.38.125	锁紧垫片	Lock piece	5	
6	200.38.117-1	差速器盖	Differential case cover	1	
7	200.38.123-1	半轴齿轮垫片	Shim halfshaft gear	2	
8	200.38.120	半轴齿轮	Half shaft gear	2	
9	300.38.143	行星轴	Planet gear shaft	1	
10	200.38.119A	行星齿轮	Planet gear	2	
11	200.38.122A-1	行星齿轮垫片	Planet gear shim	2	
12	200.38.116A	差速器壳	Differential case	1	
13	GB/T5786-2000-M12×1.5×25	螺栓 M12×1.5×25	Fine thread hex. head bolt M12×1.5×25	4	
14	200.38.149	锁紧垫片	Lock piece	5	
15	250.38.118A	主传动被动齿轮	Spiral crown gear	1	
16	250.38.127A	主传动主动圆锥齿轮	Shank-type spiral bevel pinion	1	
17	GB/T297-1994-31307	轴承 31307	Tapered roller bearing 31307	1	
18	250.38.128A	主动齿轮轴承座	Bearing seat spiral bevel pinion	1	
19	GB/T297-1994-32207	轴承 32207	Tapered roller bearing 32207	1	
20	200.38.133	短隔套	Short spacer sleeve	1	
21	200.38.145	甩油片	Oil slinger	1	
22	200.38.134	锁片	Lock piece	1	
23	200.38.130	锁紧螺母	Lock nut	2	
24	200.38.131	止退垫片	Lock washer	1	
	250.38.011	差速器总成	Differtial assembly	1	No.1-11

8.2 后桥总成 (B) Rear Axle (B)



8.2 后桥总成(B) Rear Axle (B)

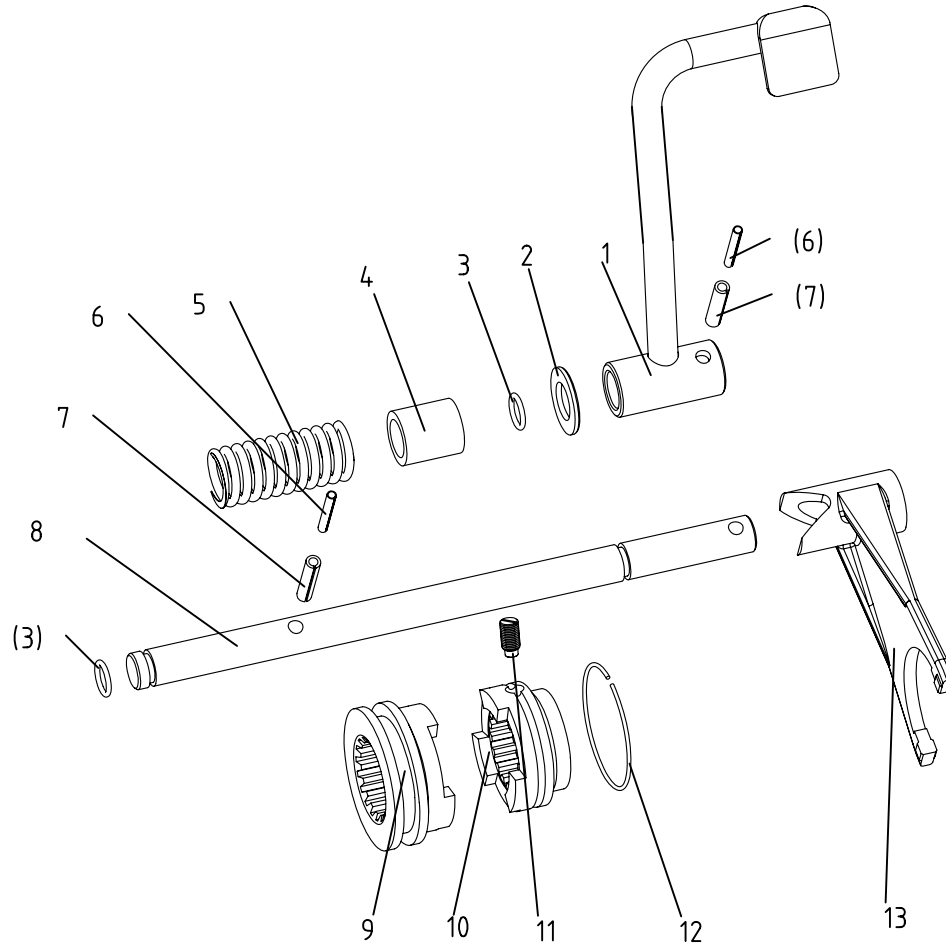
Ser.No	Part No.	名称及规格	Name & Specifications	Quantity	Remarks
1	250D.38.101	后桥壳体	Rear axle case	1	For 2WD
	254D.38.101	后桥壳体	Rear axle case	1	For 4WD
2	GB/T93-1987-10	垫圈10	Spring lock washer 10	23	
3	GB/T5783-2000-M10×45	螺栓 M10×45	Hex. head bolt M10×45	7	
4	200.38.105	提升器壳纸垫	Paper gasket lift housing	1	
5	GB/T5783-2000-M10×70	螺栓 M10×70	Hex. head bolt M10×70	1	
6	200.38.103	上盖板纸垫	Paper gasket upper cover	1	
7	200.38.135B	上盖板	Upper cover	1	
8	200.38.014	油尺总成	Dipstick	1	
9	GB/T5783-2000-M10×20	螺栓 M10×20	Hex. head bolt M10×20	7	
10	200.38.111	操纵轴衬套纸垫	Paper gasket,bush	1	
11	200.38.113	操纵轴衬套	Bush,shifter peg	1	
12	200.38.020	高低档换档杆总成	Shift lever,range hi-low speed	1	
13	GB/T879.1-2000-6×28	销6×28	Slotted spring pin 6×28	2	
14	GB/T93-1987-8	垫圈8	Spring lock washer 8	5	
15	GB/T5783-2000-M8×25	螺栓M8×25	Hex. head bolt M8×25	3	
16	200.38.112	高低档拨销	Shifter peg	1	
17	GB/T3452.1-1992-15×2.65	O型密封圈15×2.65	O-ring seal 10.6×2.65	2	
18	200.38.102	变速箱与后桥联接纸垫	Paper gasket	1	
19	GB/T119.1-2000- 8×16	销 B8×16	Parallel pin B8×16	2	
20	GB/T5782-2000- M12×60	螺栓 M12×60	Hex. head bolt M12×60	2	
21	GB/T93-1987-12	垫圈 12	Spring lock washer 12	35	
22	GB/T5783-2000-M12×35	螺栓 M12×35	Hex. head bolt M12×35	10	
23	300.38.109	小盖板纸垫	Paper gasket small cover ,plate	1	only for 2WD
24	300.38.108	小盖板	Small cover plate	1	only for 2WD
25	GB/T5783-2000-M10×30	螺栓 M10×30	Hex. head bolt M10×30	6	

8.2 后桥总成(B) Rear Axle (B)

续表

Ser.No	Part No.	名称及规格	Name & Specifications	Quantity	Remarks
26	200.38.144	衬套	Bush	2	
27	GB/T3452.1-1992-33.5×3.55	O形圈 33.5×3.55	O-ring seal 33.5×3.35	1	
28	200.38.160	端盖	End cover	1	
29	200.38.107	半轴套管与后桥联接纸垫	Paper gasket	1	
30	GB/T898-1988-AM12×35	螺柱 AM12×35	Stud AM12×35	12	
31	GB/T6170-2000-M12	螺母 M12	Hex. nut M12	20	
32	12.37.149	组合密封垫圈	Combines seal washer	1	
33	200.38.024	放油螺塞总成	Oil drain plug	1	
34	GB/T898-1988-AM12×38	螺柱 AM12×38	Double end stud AM12×38	8	
35	200.38.109	主传动被动齿轮调整垫片	Adjusting shims,spiral crown gear	four sets	4组

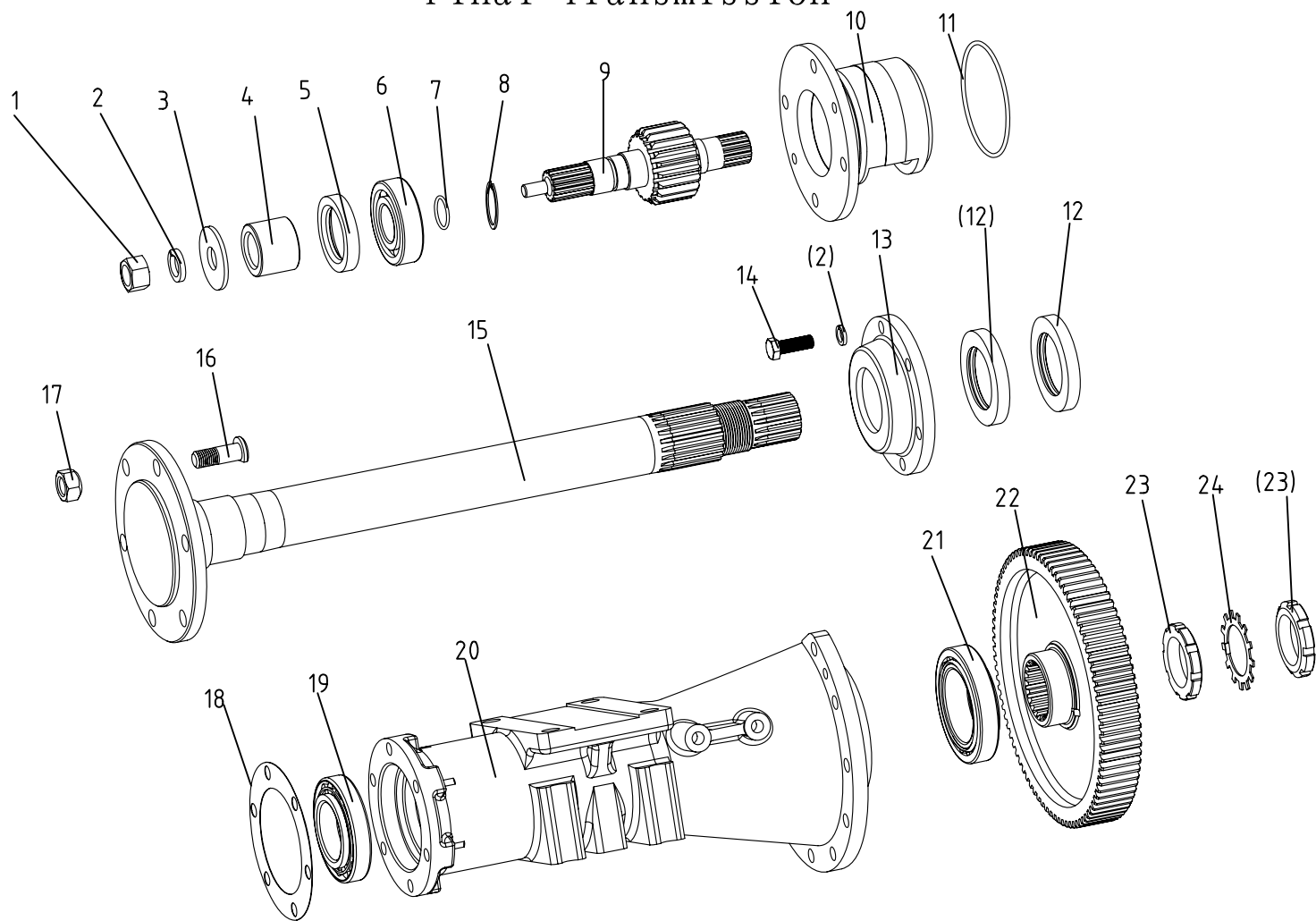
8.3 差速锁总成 Differential Lock



8.3 差速锁总成 Differential Lock

Ser.No	Part No.	名称及规格	Name & Specifications	Quantity	Remarks
1	200.38.022	脚踏操纵杆	Foot control lever	1	
2	GB/T97.2-2002-20	垫圈20	Chamfered plain washer 20	1	
3	GB/T3452.1-1992-15×2.65	O型密封圈15×2.65	O-ring seal 15×2.65	2	
4	280.38.150	轴套	Sleeve	1	
5	200.38.151	弹簧	Spring	1	
6	GB/T879.1-2000-5×35	销5×35	Slotted spring pin 5×35	2	
7	GB/T879.1-2000-8×35	销8×35	Slotted spring pin 8×35	2	
8	200.38.153-1	拨叉轴	Fork shaft	1	
9	280.38.155	啮合套	Splieing sleeve	1	
10	280.38.154	连接套	Joint sleeve	1	
11	250D .38.156	紧定螺钉	Sef crewwithdog point	1	
12	GB/T3081-1982-1.40×260	热镀锌钢丝 I -1.40×260	Galvanized steel wire I -1.40×260	1	
13	200.38.152	拨叉	Shifting fork	1	

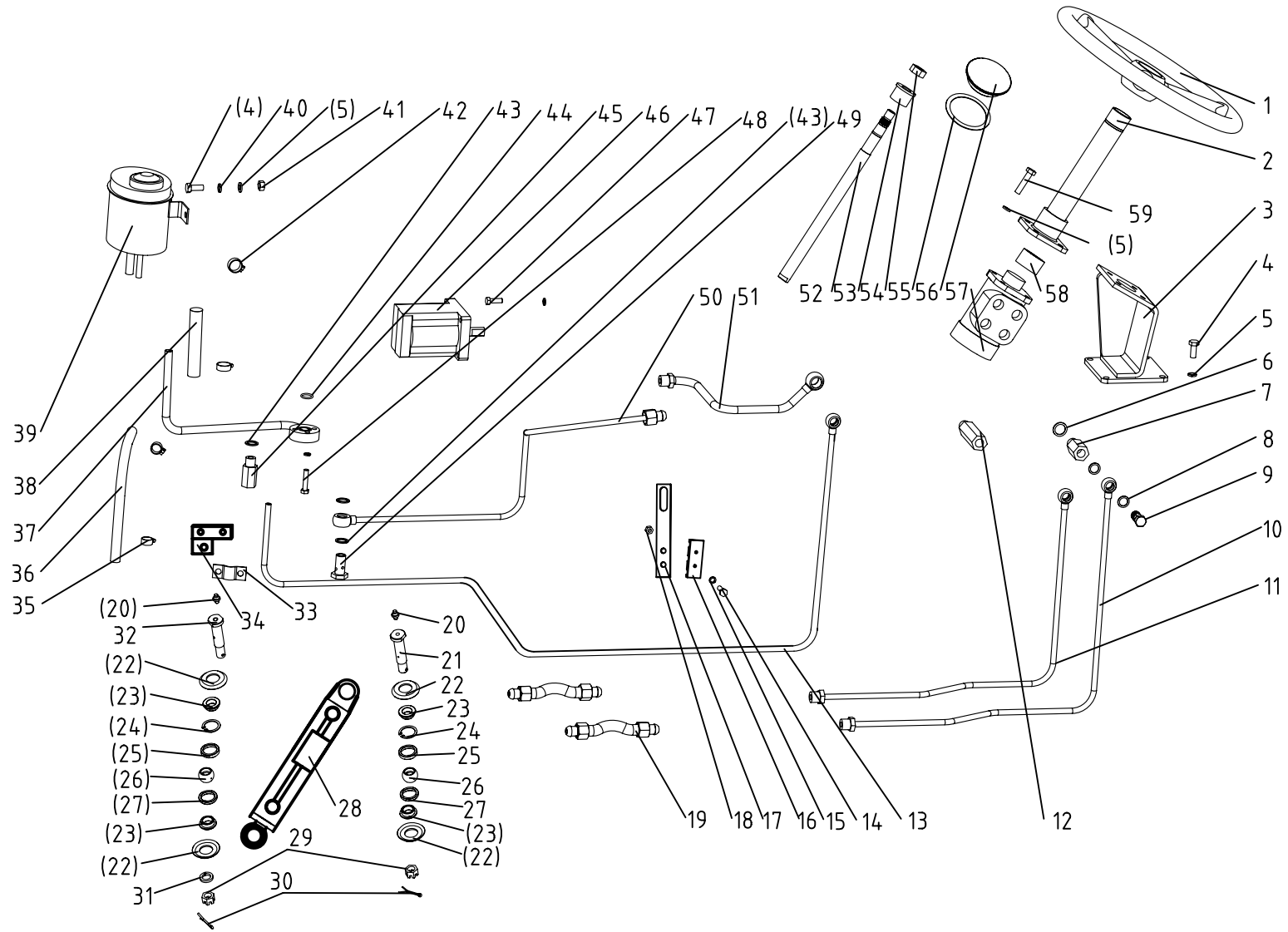
9 最终传动总成 Final Transmission



9 最终传动总成 Final Transmission

Ser.No.	Part No.	名称及规格	Name & Specifications	Quantity	Remarks
1	GB/T6170-2000-M12	螺母M12	Hex. nut M12	1×2	
2	GB/T93-1987-12	垫圈 12	Spring lock washer 12	7×2	
3	GB/T96-2002-12	垫圈 12	lock washer 12	1×2	
4	200.39.106	压套	Spacer sleeve	1×2	
5	HG4-692-67-PD50×70×12	油封 PD50×70×12	Oil seal SD60×90×12	1×2	
6	GB/T276-1994-6307	轴承 6307	Ball bearing 6307	1×2	
7	GB/T3452.1-1992-26.5×2.65	O形圈 26.5×2.65	O-ring seal 26.5×2.65	1×2	
8	GB/T893.1-1986-80	挡圈80	Circlip for hole 80	1×2	
9	200.39.105-1	主动齿轮	Drive gear	1×2	
10	200.39.107	轴承座	Bearing seat	1×2	
11	GB/T3452.1-1992-103×3.55	O形圈 103×3.55	O-ring seal 103×3.55	1×2	
12	HG4-692-67-SD60×90×12	油封 SD60×90×12	Oil seal SD60×90×12	2×2	
13	200.39.102	轴承盖	Bearing cover	1×2	
14	GB/T5783-2000-M12×35	螺栓 M12×35	Hex. head bolt M12×35	6×2	
15	280.39.101	半轴	Half shaft	1×2	
16	300.39.102	后轮毂螺栓	Rear hub bolt	6×2	
17	300.39.101	后轮毂螺母	Rear hub nut	6×2	
18	200.39.110	纸垫	Paper gasket	1×2	
19	GB/T296-1994-67211	轴承 67211	Tapered roller bearing 67211	1×2	
20	280.39.103	半轴套管	Half shaft housing	1×2	
21	GB/T296-1994-2007114	轴承 2007114	Tapered roller bearing 2007114	1×2	
22	250D.39.101-1	被动齿轮	Driven gear	1×2	
23	300.39.114	锁紧螺母	Lock nut	2×2	
24	300.39.115	锁紧垫片	Locking washer	1×2	

10 液压转向系统总成 Full Hydraulic Power Steering Gear



10 液压转向系统总成 Full Hydraulic Power Steering Gear

Ser.No.	Part No.	名称及规格	Name & Specifications	Quantity	Remarks
1	200.40.015	方向盘组件	Steering wheel assy	1	
2	304.40.026	转向管柱合件	Steering column weldment	1	
3	324-3.40.027	转向器支架焊合件	Bracket weldment	1	
4	GB/T5783-2000-M10×25	螺栓 M10×25	Hex. head bolt M10×25	6	
5	GB/T93-1987-10	垫圈 10	Spring lock washer 10	10	
6	JB/T982-1977-20	组合密封垫圈 20	Airproof washer combination 20	4	
7	324-3.40.102	接管	Connector	3	
8	JB/T982-1977-16	组合密封垫圈 16	Airproof washer combination 16	8	
9	250D.40.150-M16×1.5	铰接螺栓 M16×1.5	Hollow bolt M16×1.5	4	
10	304-6.40A.018	转向油缸油管焊合件 (二)	Steering cylinder pipe(2)	1	
11	304-6.40A.017	转向油缸油管焊合件 (一)	Steering cylinder pipe(1)	1	
12	304.40A.102	接管	Connector	1	
13	304-6E.40.011	转向器回油管总成	Oil return pipe assy	1	
14	GB/T5781-2000-M8×25	螺栓 M8×25	Hex. head bolt M8×25	5	
15	GB/T93-1987-8	垫圈 8	Spring lock washer 8	11	
16	304-6.40A.103	三路管夹	Three pathway clip	1	
17	304-6.40A.105	油管固定架	Oil pipe fixed clip	1	
18	GB/T6170-2000-M8	螺母 M8	Hex. nut M8	4	
19	304-6.40A.015	软管总成	Hose assy	2	
20	JB/T7940.2-1995-M10×1	油杯45°M10×1	Grease nipple 45° M10×1	2	
21	304.40.127	销	Pin	1	
22	304.40.128	防尘罩	Dustproof cover	4	
23	304.40.130	挡圈	Circlip stop ring	4	
24	GB/T893.1-1986-30	挡圈 30	Circlip stop ring 30	2	
25	304.40.126	上球头座	Upper ball saet	2	

10 液压转向系统总成 Full Hydraulic Power Steering Gear

续表

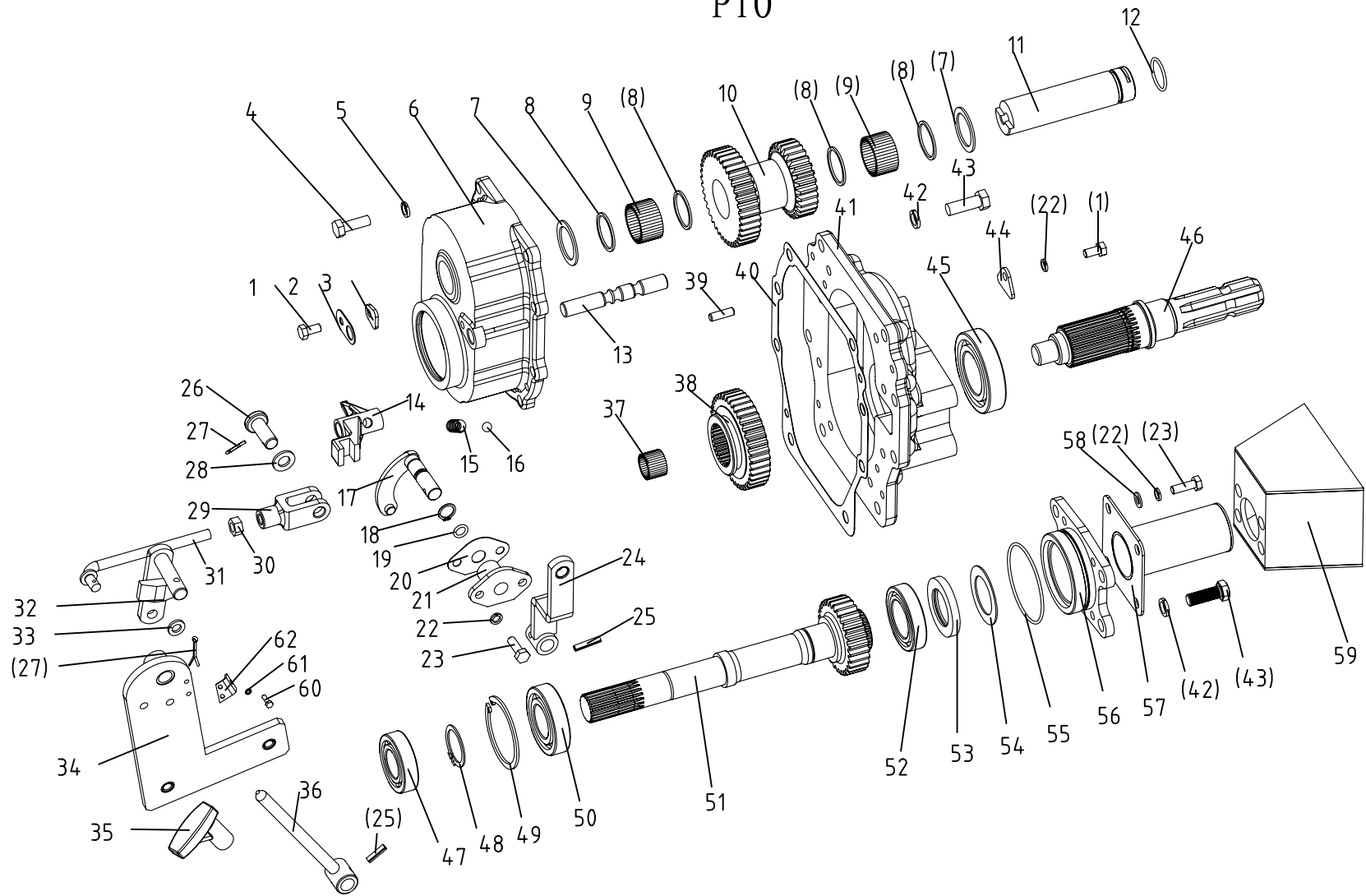
Ser.No.	Part No.	名称及规格	Name & Specifications	Quantity	Remarks
26	304.40.129	球接头	Ball connector	2	
27	304.40.125	下球头座	Lower ball seat	2	
28	304-6.40A.021	转向油缸总成	Steering cylinder assy	1	
29	GB/T9459-1988-M14×1.5	螺母M14×1.5	Hex. nut M14×1.5	2	
30	GB/T91-2000-3.2×24	销3.2×24	Split pin 3.2×24	2	
31	GB/T93-1987-14	垫圈14	Spring lock washer 14	1	
32	254G2.40A.130	销	Pin	1	
33	304A.40.104	夹底板	Pressure base plate	1	
34	304-6E.40.103-1	油管固定夹压板	Oil pipe fixed clip	1	
35	JB/T8870-1999-2A (13-20)	喉箍 2A (13-20)	Hoop 2A (13-20)	2	
36	JB/T6015-1992-10-330	胶管10-330	Hose 10-330	1	
37	304-6E.40.012	油泵进油管焊合件	Oil delivery pipe weldment	1	
38	JB/T6015-1999-13-300	胶管13-300	Hose 13-300	1	
39	354.40B.011-2	转向油箱总成	Oil tank	1	
40	GB/T97.1-2002-10	垫圈 10	Plain washer 10	2	
41	GB/T6170-2000-M10	螺母 M10	Hex. nut M10	2	
42	JB/T8870-1992-2A (16-25)	喉箍 2A (16-25)	Hoop 2A (16-25)	2	
43	JB/T982-1977-18	组合密封垫圈18	Airproof washer combination	2	
44	GB/T3452.1-1992-18×2.65	O形圈 18×2.65	O-ring seal 18×2.65	1	
45	404B.40.115	恒流泵接管	Connector	1	
46	HLCB-D08/06	恒流溢流泵 右扁	Constant flux pump	1	
47	GB/T5783-2000-M8×35	螺栓 M8×35	Hex. head bolt M8×35	3	
48	GB/T5783-2000-M8×40	螺栓 M8×40	Hex. head bolt M8×40	3	
49	250D.58.118	铰接螺栓M18×1.5	Hollow bolt M18×1.5	1	

10 液压转向系统总成 Full Hydraulic Power Steering Gear

续表

Ser.No.	Part No.	名称及规格	Name & Specifications	Quantity	Remarks
50	254-9.40.021-1	转向器进油管前段焊合件	Oil delivery pipe-front part	1	
51	254-9.40.023	转向器进油管后段焊合件	Oil delivery pipe-rear part	1	
52	324-3.40.125	转向轴	Steering shaft	1	
53	304.40.112	橡胶轴承	Rubber sleeve	1	
54	GB/T6173-2000-M16×1.5	螺母 M16×1.5	Hex. nut M16×1.5	2	
55	200.40.112	橡胶垫圈	Rubber washer	1	
56	200.40.111	螺盖	Screw cover	1	
57	102SC-1-63-10-AH	转向器总成	Full hydraulic steering gear	1	
58	324-3.40.123	限位套	Limited sheath	1	
59	GB/T5783-2000-M10×30	螺栓 M10×30	Hex. head bolt M10×30	4	

11 动力输出总成 PTO



11 动力输出总成 PTO

Ser.No.	Part No.	名称及规格	Name & Specifications	Quantity	Remarks
1	GB/T5783-2000-M8×16	螺栓 M8×16	Hex. head bolt M8×16	2	
2	300.41B.122	锁紧垫片	Lock washer	1	
3	300.41B.101	拨叉轴定位板	Locating plate of shift fork sha	1	
4	GB/T5783-2000-M10×30	螺栓 M10×30	Hex. head bolt M10×30	8	
5	GB/T93-1987-10	垫圈 10	Spring lock washer 10	8	
6	280.41.102-1	双速输出齿轮壳体	PTO gear housing	1	
7	300.41B.103	挡圈	Blocking ring	2	
8	300.41B.104	挡圈	Blocking ring	4	
9	GB/T309-2000-3×23.8	滚针 3×23.8	Needle roller 3×23.8	78	
10	300.41B.106	中间齿轮(540/1000)	Middle gear (540/1000)	1	
11	300.41B.107	双速输出中间轴	Middle shaft	1	
12	GB/T3452.1-1992-30×2.65	O形圈 30×2.65	O-ring seal 30×2.65	1	
13	300.41B.111	拨叉轴	Shift fork shaft	1	
14	280.41.112	拨叉	Shift fork	1	
15	200.37.127-1	拨叉定位弹簧	Shift fork positioning spring	1	
16	GB/T308-2002-9.5	钢球 9.5	Steel ball 9.5	1	
17	280.41.011	转轴焊合件	controlling shaft	1	
18	GB/T894.1-1986-15	挡圈 15	Circlip for shaft 15	1	
19	GB/T3452.1-1992-10.6×2.65	O形圈 10.6×2.65	O-ring seal10.6×2.65	1	
20	200.38.111	操纵轴衬套纸垫	bushing gasket	1	
21	200.38.113	操纵轴衬套	Controlling shaft bushing	1	
22	GB/T93-1987-8	垫圈 8	Spring lock washer 8	7	
23	GB/T5783-2000-M8×25	螺栓 M8×25	Hex. head bolt M8×25	6	
24	350-1.41.024-1	弯臂焊合件	Flex arm weldment	1	
25	GB/T879.1-2000-6×28	销 6×28	Slotted spring pin 6×28	2	

11 动力输出总成 PTO

续表

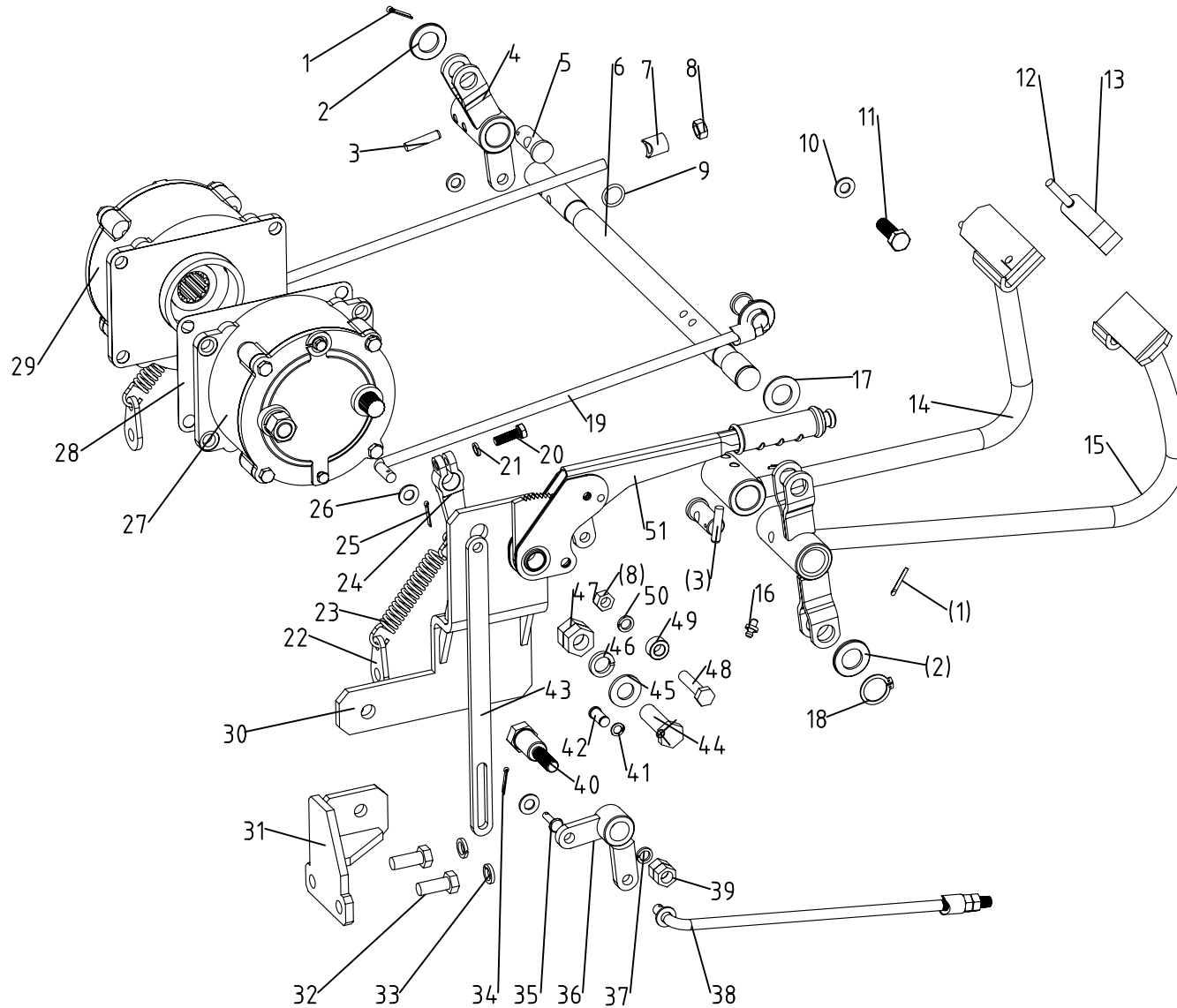
Ser.No.	Part No.	名称及规格	Name & Specifications	Quantity	Remarks
26	GB/T882-1986-B12×35	销轴B12×35	Clevis pin with head B12×35	1	
27	GB/T91-2000-3.2×20	销3.2×20	Split pin 3.2×20	2	
28	GB/T97.1-200-12	垫圈 12	Plain washer 12	1	
29	280.43.107	连接叉	Rod clevis	1	
30	GB/T6170-2000-M10	螺母M10	Hex. Nut M10	1	
31	250D.41.020	拉杆焊合件	Pull-rod weldment	1	
32	404-6E.41.022-1	中间轴焊合件	Middle axes weldment	1	
33	GB/T97.1-2002-10	垫圈 10	Plain washer 10	1	
34	304-6E.41.021-1	支板焊合件	Support weldment	1	
35	280.41.122-1	动力输出操纵杆手柄	PTO control handle	1	
36	350-1.40.021	动力输出操纵杆焊合件	PTO control lever	1	
37	GB/T5846-1986- K223020	K223020	K223020	1	
38	300.41B.117	换挡齿轮(540/1000)	Shifting gear (540/1000)	1	
39	GB/T119.1-2000-B8×20	销 B8×20	Straight pin B8×20	2	
40	280.41.104	后桥后盖板纸垫	Gasket of rear cover	1	
41	280.41.108-1	后桥后盖板	Rear cover of rear axle	1	
42	GB/T93-1987-12	垫圈 12	Spring lock washer 12	12	
43	GB/T5783-2000-M12×35	螺栓 M12×35	Hex. head bolt M12×35	12	
44	300.41B.109	中间轴定位板	Locating plate of middle shaft	1	
45	GB/T276-1994-6209	轴承 6209	Ball bearing 6209	1	
46	300.41B.114	动力输出轴(6键)	PTO shaft (of 6 teeth)	1	
47	GB/T276-1994-6206	轴承 6206	Ball bearing 6206	1	
48	GB/T894.1-1986-35	挡圈 35	Circlip for shaft 35	1	
49	GB/T893.1-1986-72	挡圈 72	Circlip for hole 72	1	

11 动力输出总成 PTO

续表

Ser.No.	Part No.	名称及规格	Name & Specifications	Quantity	Remarks
50	GB/T276-1994-6207	轴承 6207	Ball bearing 6207	1	
51	250D.41.123A	传动齿轮轴(540/1000)	Driving gear shaft (540/1000)	1	For 4WD
52	GB/T276-1994-6108	轴承 6108	Ball bearing 108	1	
53	GB/T13871-1992-FB40×62×8	油封 FB40×62×8	Oil seal FB40×62×8	1	
54	300.41B.125	油封挡圈	Oil seal blocking ring	1	
55	GB/T3452.1-1992-80×2.65	O形圈 80×2.65	O-ring seal 80×2.65	1	
56	300.41B.115-1	动力输出盖板	Cover	1	
57	300.41.011	防尘盖	PTO shaft shield	1	
58	GB/T97.1-2002-8	垫圈 8	Plain washer 8	4	
59	300-6.41.011	动力输出护罩	PTO shaft safety cover	1	
60	GB/T5783-2000-M6×12	螺栓 M6×12	Hex. head bolt M6×12	2	
61	GB/T93-1987-6	垫圈 6	Spring lock washer 6	2	
62	404-6E.41.107	触点安装板	Touch fixing bat	1	

12.1 蹄式制动器操纵机构总成 Shoe Brake Operation Mechanism



12.1 蹄式制动器操纵机构总成 Shoe Brake operation mechanism

Ser.No	Part No.	名称及规格	Name & Specifications	Quantity	Remarks
1	GB/T91-2000-3.2×28	销 3.2×28	Split pin 3.2×28	3	
2	GB/T97.1-2002-20	垫圈 20	Plain washer 20	3	
3	GB/T879.1-2000-8×40	销 8×40	Spring split pin 8×40	4	
4	300.43.013	左接头焊合件	Rockerarm,left pedal	1	
5	200.43.127	拉杆销	Pull rod pin	3	
6	250-1.43.103	制动传动轴	Brake pedal shaft	1	
7	200.43.128	调整套	Adjusting sleeve	3	
8	GB/T6170-2000-M10	螺母 M10	Hex. nut M10	9	
9	GB/T3452.1-1992-19×2.65	O形圈 19×2.65	O-ring seal 19×2.65	4	
10	GB/T3451-1983-10	垫圈 10	Spring lock washer 10	1	
11	GB/T5783-2000-M10×20	螺栓 M10×20	Hex. head bolt M10×20	1	
12	GB/T879.1-2000-8×18	销 8×18	Spring split pin 8×18	1	
13	200.43.106	联锁片	Interlock piece	1	
14	250D.43.012	左制动器踏杆焊合件	Left brake pedal	1	
15	300-6.43.017	右制动器踏杆焊合件	Right brake pedal	1	
16	JB/T7940.2-1995-M10×1	油杯 45° M10×1	Angle grease nipple 45°M10×1	1	
17	GB/T97.1-2002-24	垫圈 24	Plain washer 24	1	
18	GB/T894.1-1986-24	挡圈 24	Circlip for shaft 24	1	
19	200.43.129-1	拉杆	Pull rod	2	
20	GB/T5783-2000-M8×25	螺栓 M8×25	Hex. head bolt M8×25	2	
21	GB/T93-1987-8	垫圈 8	Spring lock washer 8	2	
22	200.43.135-1	挂板	Link plate	2	
23	200.43.125	外回位弹簧	External return spring	2	
24	200.43.119-1	制动摇臂	Brake rocker arm	2	
25	GB/T91-2000-2.5×20	销 2.5×20	Split pin 2.5×20	2	

12.1 蹄式制动器操纵机构总成 Show Brake operation mechanism

续表

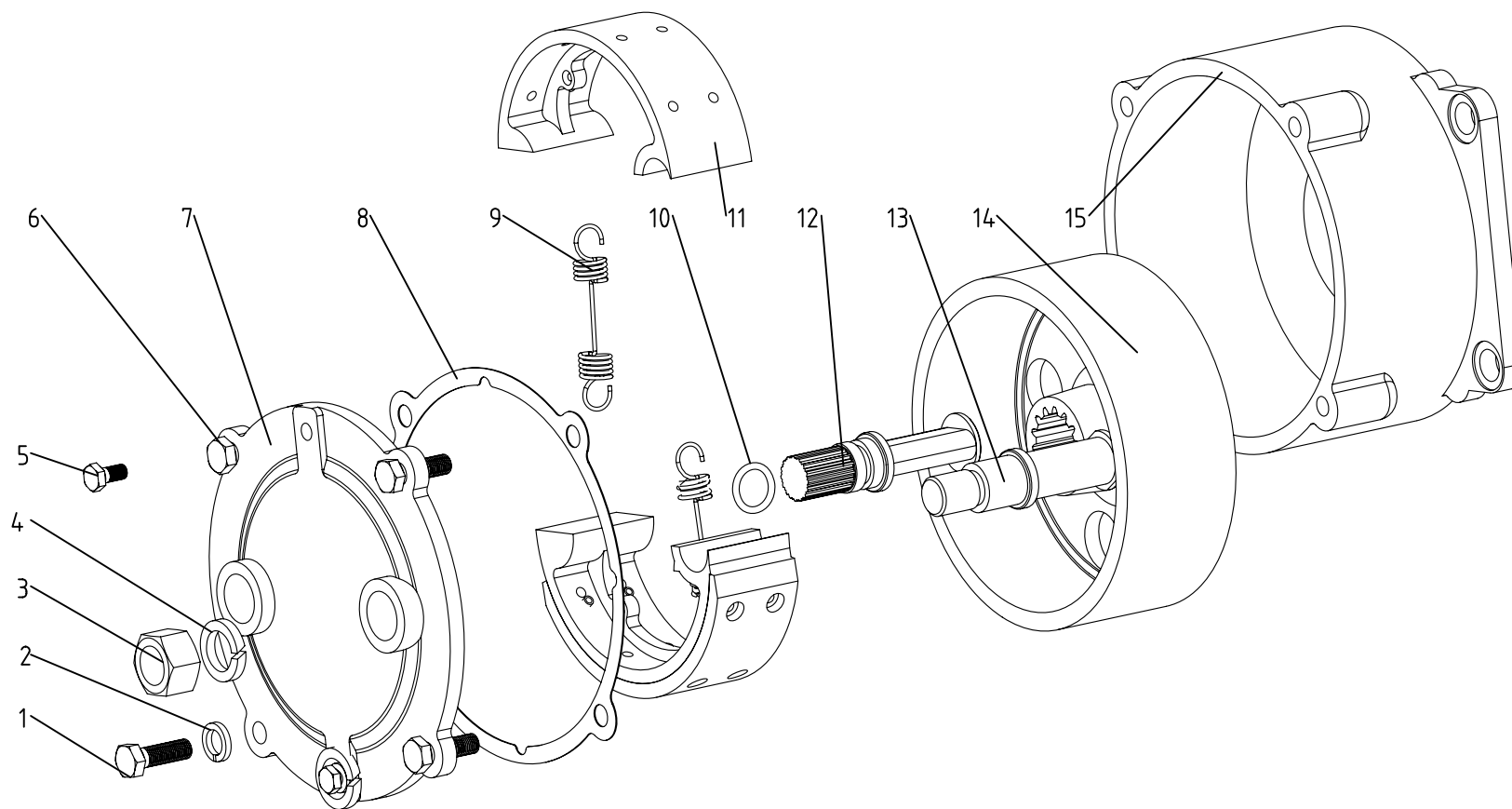
Ser.No	Part No.	名称及规格	Name & Specifications	Quantity	Remarks
26	GB/T97.1-2002-10	垫圈 10	Spring lock washer 10	4	
27	300-6.43.011	右制动器总成	Right brake	1	
28	200.43.110	纸垫	Paper gasket	2	
29	300-6.43.012	左制动器总成	Left brake	1	
30	300-6.43.013-1	撑板焊合件	Support bord weldment	1	
31	250-1.43.014	固定板焊合件	Fi×ed plank weldment	1	
32	GB/T5783-2000-M12×30	螺栓M12×30	Hex. head bolt M12×30	2	
33	GB/T93-1987-12	垫圈 12	Spring lock washer 12	2	
34	GB/T91-2000-3.2×20	销3.2×20	Split pin 3.2×20	2	
35	GB/T882-1986-B10×22	销轴B10×22	Clevis pin with head B10×22	1	
36	250-1.43.015	转臂焊合件	Rotate shafte weldment	1	
37	GB/T97.1-2002-12	垫圈 12	Plain washer 12	1	
38	300-6.43.015	手制动组合件	Hand brake assembled	1	
39	GB/T6170-2000-M12	螺母M12	Hex.nut M12	2	
40	250-1.43.102	固定轴	Fi×ed axes	1	
41	GB/T894.1-1986-10	挡圈10	Circlip for shaft 10	1	
42	450.43.137	拉杆销轴	Brake bar clevis pin	1	
43	300-6.43.018	竖杆焊合件	Erect brake bar	1	
44	GB/T5783-2000-M16×50	螺栓M16×50	Hex. head bolt M16×50	1	
45	GB/T97.1-2002-16	垫圈16	Plain washer 16	1	
46	GB/T93-1987-16	垫圈16	Spring lock washer 16	1	
47	GB/T6170-2000-M16	螺母M16	Hex. nut M16	2	
48	GB/T5783-2000-M10×45	螺栓M10×45	Hex. head bolt M10×45	1	
49	450.43.106	垫套	Cushion	1	

12.1 蹄式制动器操纵机构总成 Show Brake operation mechanism

续表

Ser.No	Part No.	名称及规格	Name & Specifications	Quantity	Remarks
50	GB/T93-1987-10	垫圈 10	Spring lock washer 10	4	
51	300-6.43.014	手制动拉杆焊合件	Hand brake mechanism	1	

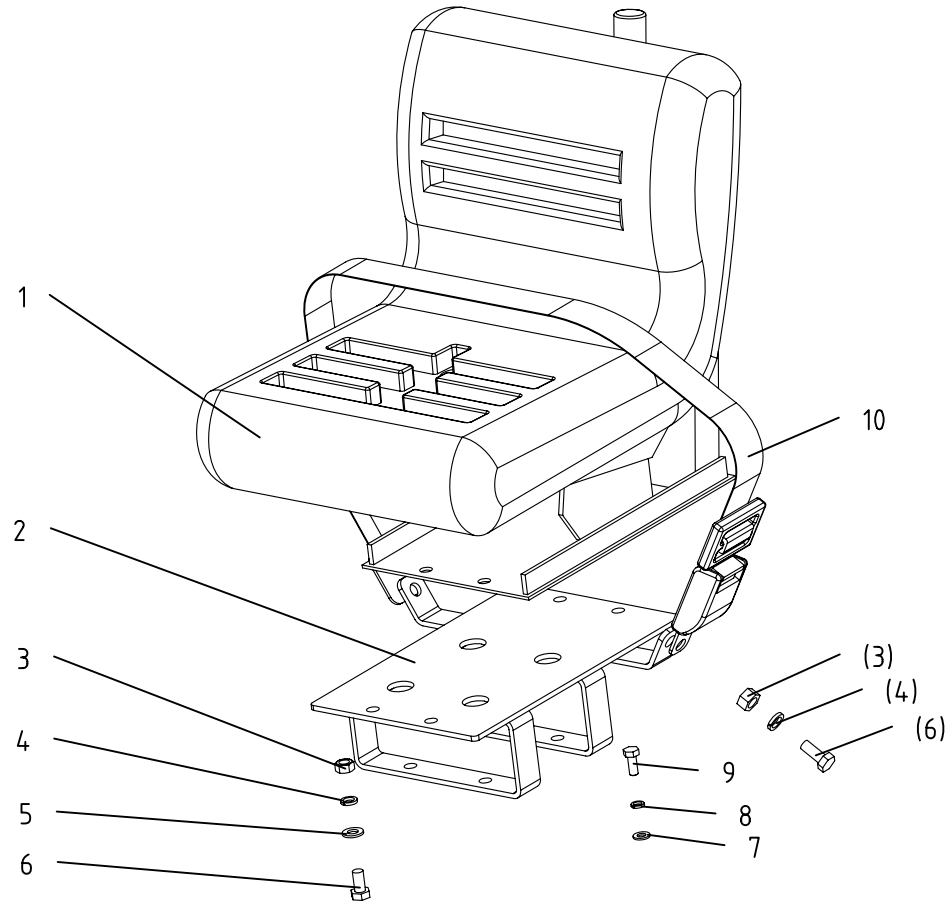
12.2 蹄式制动器总成 Shoe Brake



12.2 蹄式制动器总成 Shoe Brake

Ser.No.	Part No.	名称及规格	Name & Specifications	Quantity	Remarks
1	GB/T5782-2000-M8×80	螺栓 M8×80	Hex. head bolt M8×80	2	Left Shoe Brake
	GB/T5783-2000-M8×45	螺栓 M8×45	Hex. head bolt M8×45	2	Right Shoe Brake
2	GB/T93-1987-8	垫圈 8	Spring lock washer 8	8	
3	GB/T6170-2000-M16	螺母 M16	Hex. nut M16	2	
4	GB/T93-1987-16	垫圈 16	Spring lock washer 16	2	
5	200.43.107	螺栓	Hex. head bolt	2	
6	GB/T5782-2000-M8×55	螺栓 M8×55	Hex. head bolt M8×55	2	Left Shoe Brake
	GB/T5783-2000-M8×25	螺栓 M8×25	Hex. head bolt M8×25	2	Right Shoe Brake
7	200.43.102-1	制动器盖	Brake cap	2	
8	200.43.132-1	制动器盖纸垫	Paper gasket ,brake	2	
9	200.43.124-1	内回位弹簧	Inner return spring	4	
10	GB/T3452.1-1992-15×2.65	O型密封圈15×2.65	O-ring seal 15×2.65	2	
11	300-6.43.020	制动蹄总成	Brake shoe	2	
12	200.43.120-1	制动凸轮轴	Brake camshaft	2	
13	200.43.123-1	制动蹄销轴	Brake anchorage	2	
14	200.43.103-1	制动鼓	Brake drum	2	
15	200.43.101-1	制动器壳体	Brake housing	2	

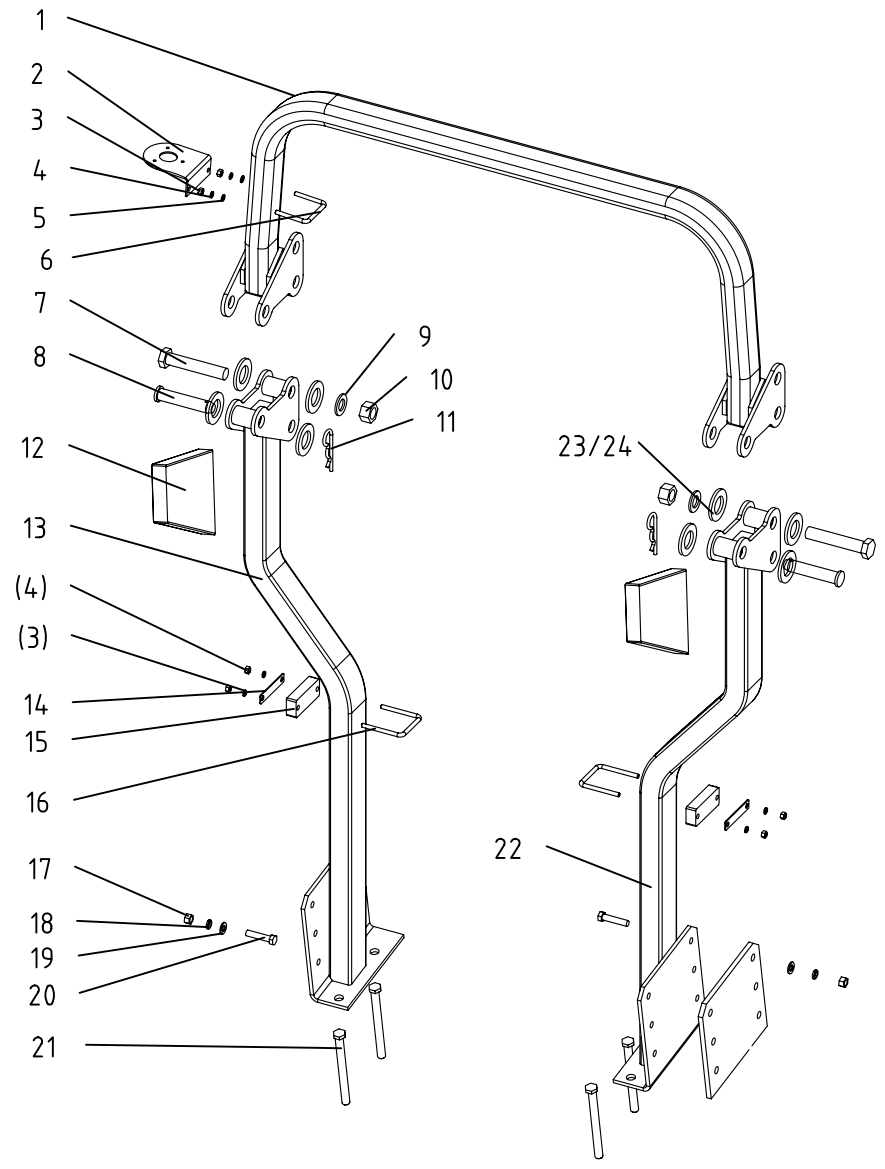
13 座椅总成 Seat



13 座椅总成 Seat

Ser.No.	Part No.	名称及规格	Name & Specifications	Quantity	Remarks
1	XL-SEAT-003	悬浮座椅	Seat	1	
2	300-6.44.011	座椅支架焊合件	Seat bracket weldment	1	
3	GB/T6170-2000-M10	螺母 M10	Hex. nut M10	4	
4	GB/T97.1-2002-10	垫圈 10	Plain washer 10	6	
5	GB/T93-1987-10	垫圈 10	Spring lock washer 10	6	
6	GB/T5783-2000-M10×30	螺栓 M10×30	Hex. head bolt M10×30	6	
7	GB/T97.1-1985-8	垫圈 8	Plain washer 8	2	
8	GB/T93-1987-8	垫圈 8	Spring lock washer 8	2	
9	GB/T5783-2000-M8×20	螺栓 M8×20	Hex. head bolt M8×20	2	
10	300.44B.012A	两点可弹式座椅安全带	Safety belt	1	

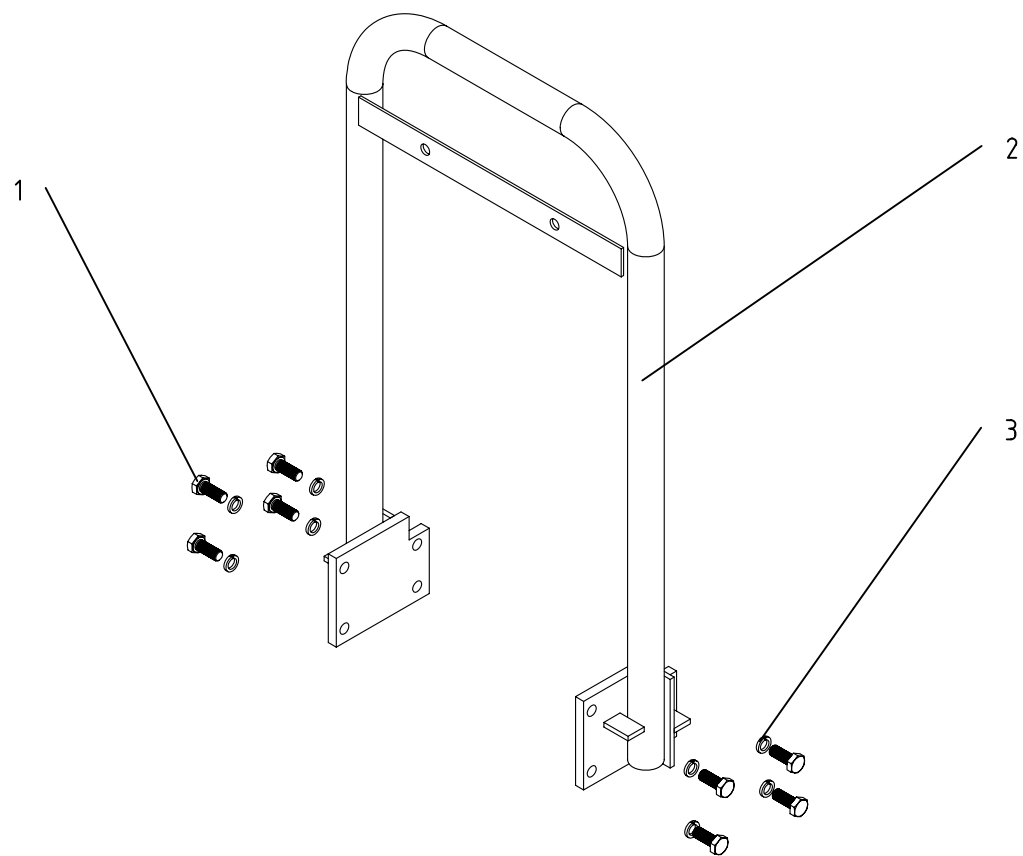
14.1 折叠式安全架总成 Folding Safety Frame



14.1 折叠式安全架总成 Folding Safety Frame

Ser.No.	Part No.	名称及规格	Name & Specifications	Quantity	Remarks
1	400-6.46.011	上框焊合件	Upper frame weldment	1	
2	400-6.46.108	警示灯安装板	Caution light setting plate	1	
3	GB/T6170-2000- M8	螺母 M8	Hex. nut M8	6	
4	GB/T93-1987-8	垫圈 8	Spring lock washer 8	6	
5	GB/T97.1-2002-8	垫圈 8	Plain washer 8	2	
6	400-6.46.109	U型螺栓	U type bolt	1	
7	400-6.46.114	连接螺栓	Conneting bolt	2	
8	400-6.46.110	锁销	Lock pin	2	
9	GB/T97.1-2002-24	垫圈 24	Plain washer 24	2	
10	GB/T6172-2000-24	螺母 24	Hex. nut M24	2	
11	300.46D.114	弹簧锁销	Spring lock pin	2	
12	280.46J.110	橡胶套	Rubber pad	2	
13	400-6.46.012	右撑杆焊合件	Right support frame	1	
14	400-6.46.113	抱箍垫板	Padding plate	2	
15	300-6.46.101	橡胶垫	Rubber mat	2	
16	400-6.46.111	U型螺栓(二)	U type bolt(2)	2	
17	GB/T6170-2000-M12	螺母 M12	Hex. nut M12	12	
18	GB/T93-1987-12	垫圈 12	Spring lock washer 12	12	
19	GB/T97.1-2002-12	垫圈 12	Plain washer 12	12	
20	GB/T5783-2000-M12×50	螺栓 M12×50	Hex. head bolt M12×50	12	
21	GB/T5782-2000-M16×175	螺栓 M16×175	Hex. head bolt M16×175	4	
22	400-6.46.013	左撑杆焊合件	Left support frame	1	
23	300-6.46.102	橡胶垫片 I	Rubber pillow I	≥8	
24	300-6.43.103	橡胶垫片 II	Rubber pillow II	2~3	

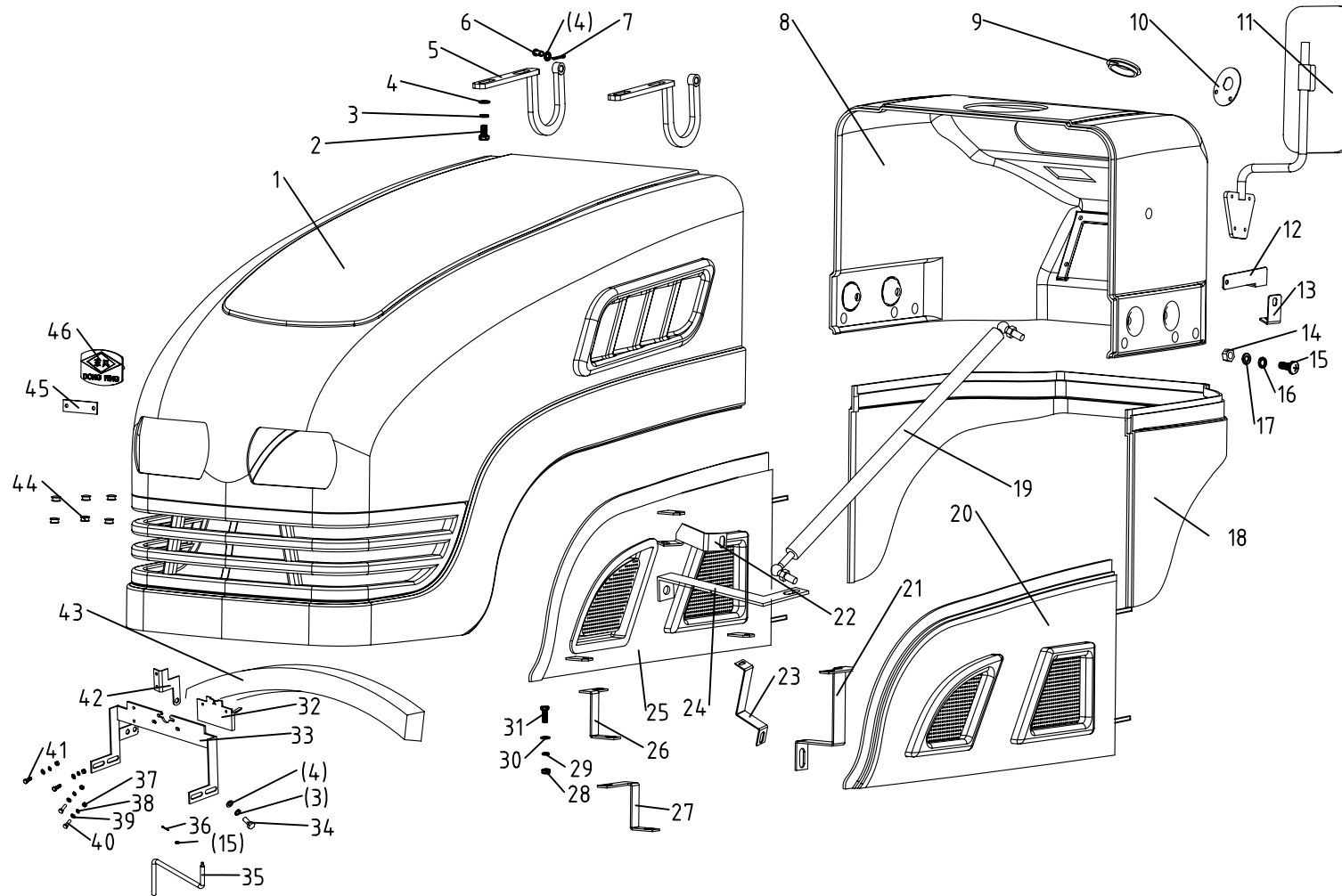
14.2 前安全架总成 Front Safety Frame



14.2 前安全架总成 Front Safety Frame

Ser.No.	Part No.	名称及规格	Name & Specifications	Quantity	Remarks
1	GB/T5783-2000-M10×25	螺栓 M10×25	Hex. head bolt M10×25	8	
2	304G2-6E.46.021	前安全架焊合件	Front safety frame	1	
3	GB/T93-1987-10	垫圈 10	Spring lock washer 10	8	

15 机罩仪表罩总成 Hood and Panel



15 机罩仪表罩总成 Hood and Panel

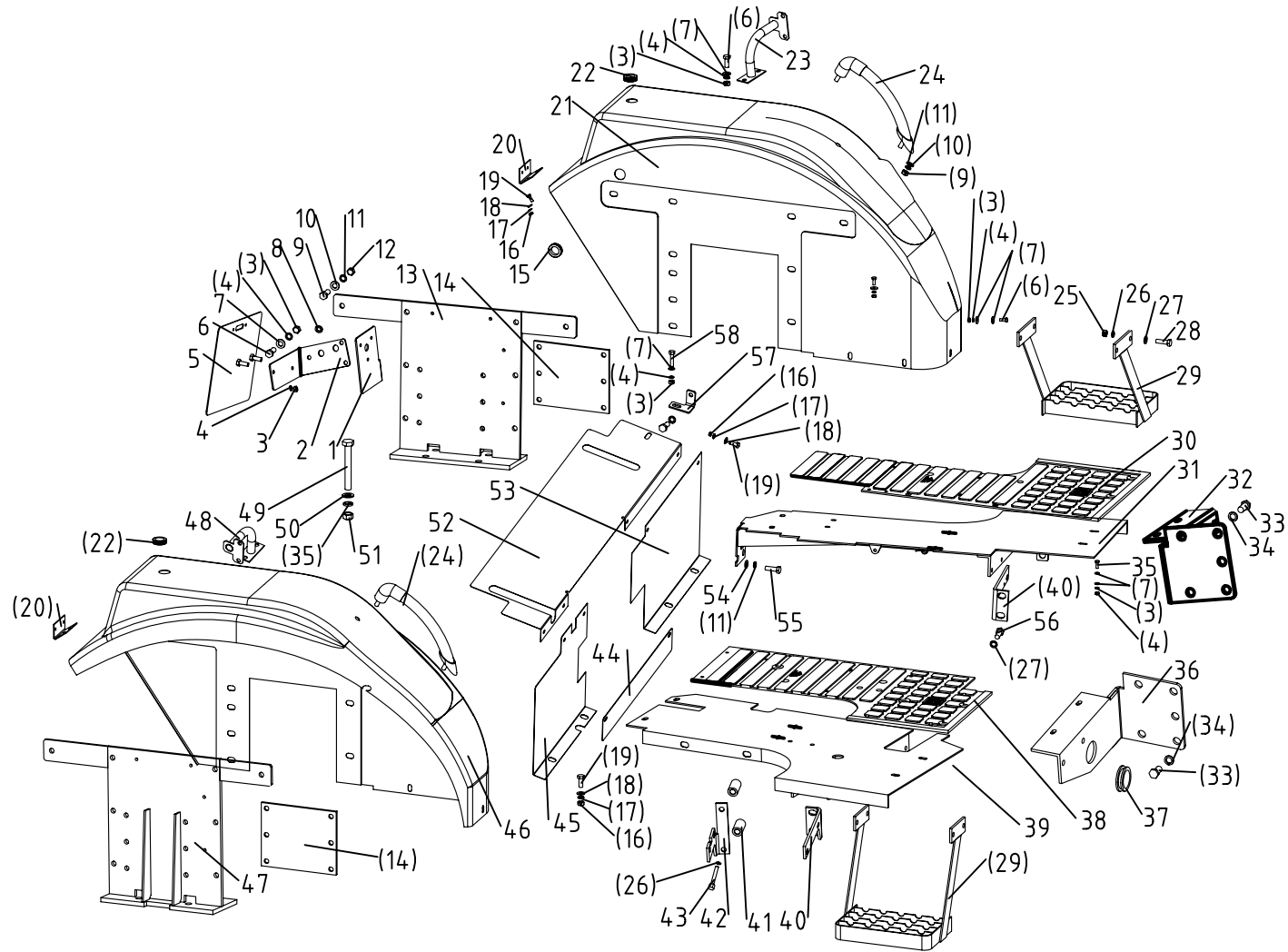
Ser.No.	Part No.	名称及规格	Name & Specifications	Quantity	Remarks
1	304-6E.47.011	机罩合件	Engine Hood	1	
2	GB/T5783-2000-M10×30	螺栓 M10×30	Hex.Head bolt M10×30	4	
3	GB/T93-1987-10	垫圈 10	Spring lock washer 10	8	
4	GB/T97.1-2002-10	垫圈 10	Plain washer 10	10	
5	250-1.47A.014	机罩铰链焊合件	Hood gemel bracket	2	
6	GB/T882-1986-B10×35	销 B10×35	Clevis pin with head B10×35	2	
7	GB/T91-2000-3.2×30	销 3.2×30	Split pin 3.2×20	2	
8	300-6.47.016	仪表罩合件	Panel	1	
9	250D.47.113A	橡皮圈	Rubber ring	1	
10	280.47B.118	电锁安装板	Installation plate switch	1	
11	1B17382×0001	后视镜	Rear view mirror	1	
12	304-6E.47.104	连接板 (一)	Connected board(一)	1	
13	304-6E.47.105	连接板 (二)	Connected board(二)	1	
14	GB/T6170-2000-5	螺母5	Hex. Nut M5	9	
15	GB/T97.1-2002-5	垫圈5	Plain washer 5	10	
16	GB/T93-1987-5	垫圈5	Spring lock washer 5	9	
17	GB/T818-2000-M5×20	螺钉 M5×20	Philips pan head screw M5×20	9	
18	300-6.47.015	后围板合件	Behind Hood	1	
19	QD16-690X290X240-BB	压缩气弹簧	Gas spring	2	
20	300-6.47.012	左侧板合件	Left Hood	1	
21	300-6.47.106	左下安装板	Down left setting board	1	
22	300-6.47.102	右上安装板	Top right setting board	1	
23	300-6.47.103	右下安装板	Right below setting board	1	
24	304-6E.47.103	左上安装板	Top left setting board	1	
25	304-6E.47.013	右侧板合件	Right Hood	1	

15 机罩仪表罩总成 Hood and Panel

续表

Ser.No.	Part No.	名称及规格	Name & Specifications	Quantity	Remarks
26	304-6E.47.102	右侧板前固定板	Right Hood front immobility board	1	
27	304-6E.47.101	左侧板前固定板	Left Hood front immobility board	1	
28	GB/T6170-2000-M8	螺母M8	Hex. Nut M8	16	
29	GB/T93-1987-8	垫圈8	Spring lock washer 8	22	
30	GB/T97.1-2002-8	垫圈8	Plain washer 8	22	
31	GB/T5783-2000-M8×25	螺栓 M8×25	Hex.Head bolt M8×25	12	
32	FT650	机罩锁	Hood lock	1	
33	304G2-6E.47.015	锁安装架焊合件	Lock bracket	1	
34	GB/T5783-2000-M10×25	螺栓 M10×25	Hex.Head bolt M10×25	4	
35	304G2-6.47.109	机罩开启杆	Hood open haulm	1	
36	GB/T91-2000-1.6×16	销 1.6×16	Split pin 1.6×16	1	
37	GB/T6170-2000-M6	螺母 M6	Hex. Nut M6	12	
38	GB/T93-1987-6	垫圈 6	Spring lock washer 6	12	
39	GB/T97.1-2002-6	垫圈 6	Plain washer 6	12	
40	GB/T5783-2000-M6×35	螺栓 M6×35	Hex.Head bolt M6×35	4	
41	GB/T5783-2000-M6×20	螺栓 M6×20	Hex.head bolt M6×20	6	
42	304G2-6E.47.108	固定座	Immobility	1	
43	550.47E.108	顶隔断块	Sponge partition	1	
44	300-6.47.107	橡胶塞	Rubber plug	6	
45	300.47.113	标牌安装板	Scutcheon bracket	1	
46	300.47.106A	东风标牌	Dong feng scutcheon	1	

16 地板挡泥板总成 Foot Mud Shields Rest



16 地板挡泥板总成 Foot Mud Shields Rest

序号 Ser.No.	Part No.	名称及规格	Name & Specifications	Quantity	Remarks
1	304G2-6E. 51. 102	拖车插座安装板	Trailer socket plate	1	
2	300-6. 47. 222	牌照安装板支架	License plate bracket	1	
3	GB/T6170-2000-M8	螺母 M8	Hex. nut M8	24	
4	GB/T93-1987-8	垫圈 8	Spring lock washer 8	25	
5	300-6. 47. 024	牌照安装板焊合件	License plate bracket plate weldment	1	
6	GB/T5783-2000-M8×25	螺栓 M8×25	Hex. head bolt M8×25	21	
7	GB/T97. 1-2002-8	垫圈 8	Plain washer	34	
8	304-6E. 51. 105	牌照板支架橡胶垫	License plate bracket rubber	1	
9	GB/T5783-2000-M12×40	螺栓 M12×40	Hex. head bolt M12×40	16	
10	GB/T96. 2-2002-12	垫圈 12	Plain washer 12	16	
11	GB/T93-1987-12	垫圈 12	Spring lock washer 12	18	
12	GB/T6170-2000-M12	螺母 M12	Hex. nut M12	16	
13	254-7. 51. 013	左支架焊合件	Left bracket joint	1	
14	404G2-6E. 51. 101	垫板	Rubber cover	2	
15	304G2-6. 51. 106	橡皮圈	Sealing rubber ring	1	
16	GB/T6170-2000-M6	螺母 M6	Hex. nut M6	8	
17	GB/T93-1987-6	垫圈 6	Spring lock washer 6	8	
18	GB/T97. 1-2002-6	垫圈 6	Plain washer 6	12	
19	GB/T5783-2000-M6×20	螺栓 M6×20	Hex. head bolt M6×20	8	
20	404-11. 51. 107	后反射器安装板	Back reflex reflector subpanel	2	
21	304-6E. 51. 019	左挡泥板焊合件	Left mud Shield	1	
22	200. 47A. 316	橡胶套	Right mud Shield	2	
23	300-6. 47. 022-1	左转向灯支座焊合件	Turn left bracket rest	1	
24	550. 51C. 204	扶手	Handle hold	2	
25	GB/T6170-2000-M10	螺母 M10	Hex. nut M10	14	

16 地板挡泥板总成 Foot Mud Shields Rest

续表

序号 Ser.No.	Part No.	名称及规格	Name & Specifications	Quantity	Remarks
26	GB/T93-1987-10	垫圈 10	Spring lock washer 10	19	
27	GB/T97.1-2002-10	垫圈 10	Plain washer 10	27	
28	GB/T5783-2000-M10×30	螺栓 M10×30	Hex. head bolt M10×30	12	
29	300-6.20.015	车梯焊合件	Foot ladder	2	
30	304-6E.51.108	左地板橡胶板	Left foot rest rubber board	1	
31	304-6E.51.016	左地板焊合件	Left foot rest	1	
32	300-6.20.013	左地板支架焊合件	Left foot rest plate, bracket	1	
33	GB/T5783-2000-M16×35	螺栓 M16×35	Hex. head bolt M16×35	10	
34	GB/T93-1987-16	垫圈 16	Spring lock washer 16	18	
35	GB/T5783-2000-M8×30	螺栓 M8×30	Hex. head bolt M8×30	4	
36	300-6.20.014	右地板支架焊合件	Right foot rest plate, bracket	1	
37	254G2.51.108	橡胶嵌套	Rudder nest	1	
38	304-6E.51.109	右地板橡胶板	Right foot rest rubber board	1	
39	304-6E.51.017	右地板焊合件	Right foot rest	1	
40	250D.20.105	前支架	Front plank	2	
41	200.20.114A	垫套	Pillow	2	
42	200.20.113-1	后支架	Black plank	1	
43	GB/T5783-2000-M10×60	螺栓 M10×60	Hex. head bolt M10×60	2	
44	304-6E.51.103	中挡板	Middle baffle	1	
45	304-6E.51.102	右立板	Right perpendicularity plate	1	
46	304-6E.51.018	右挡泥板焊合件	Right mud Shield	1	
47	254-7.51.014	右支架焊合件	Right bracket joint	1	
48	300-6.47.025	右转向灯支座焊合件	Turn right braket rest	1	
49	GB/T5782-2000-M16×165	螺栓 M16×165	Hex. head bolt M6×175	8	

16 地板挡泥板总成 Foot Mud Shields Rest

续表

Ser.No.	Part No.	名称及规格	Name & Specifications	Quantity	Remarks
50	GB/T97.1-2002-16	垫圈 16	Plain washer 16	8	
51	GB/T6170-2000-M16	螺母 M16	Hex. nut M16	8	
52	304-6E. 51. 101	座椅板	Chair plank	2	
53	304-6E. 51. 104	左挡板	Left plank	1	
54	GB/T97.1-2002-12	垫圈 12	Plain washer 12	2	
55	GB/T5783-2000-M12×25	螺栓 M12×25	Hex. head bolt M12×25	2	
56	GB/T5783-2000-M10×25	螺栓 M10×25	Hex. head bolt M10×25	4	
57	304-6E. 51. 106	左托板	Left splint	1	
58	GB/T5783-2000-M8×20	螺栓 M8×20	Hex. head bolt M8×20	2	

17 电气系统总成 (EC)

Electrical System (EC)

序号 Ser.No.	代号 Part No.	名称及规格	Name & Specifications	数量 Quantity	备注 Remarks
1	300-6.48.021-1	前照灯 (EC)	Head lamp (EC)	1	
2	50F	电喇叭 (EC)	Electrucity horn (EC)	1	
3	300-6.48.011	前线束	Front wiring harness	1	
4	304G2-6E.48.017	蓄电池负极搭铁电缆	Battery cathode cable	1	
5	6-QW-80L	免维护蓄电池	Battery	1	
6	304G2-6E.48.016	蓄电池正极-总电源开关电缆总成	Cable between Battery anode and electrical source switch	1	From engine
7	254G3.48.019	总电源开关	Electrical source switch	1	
8	300-6.48.030	水温传感器	Water temperature sensor	1	
9	304G2-6E.48.015	起动-电源总开关连接电缆线	Cable between Start and electrical source switch	1	
10	JF××××	发电机	Generator	1	From engine
11	ZD300×8	可松开式锁式扎带	Clingulum	2	
12	1912型	起动继电器	Starting relay	1	
13	250D.48.101	电缆线接头护套	Cable splice jacket	1	
14	304-6E.48.012	主线束	Main wiring harness	1	
15	300-6.48.028	转速传感器 (M18×1.5)	rotation speed senser (M18×1.5)	1	
16	300-6.48.031	油压传感器	Oil pressure sensor	1	
17	10-12-55	电热塞	Pre-heating plug	1	From engine
18	QD××××	起动电机	Starting motor	1	From engine
19	304G2-6E.48.020	ZB103-7A组合仪表	ZB103-7A Combination meter	1	
20	304-6E.48.102	保险丝盒	Fuse box	1	
21	FT111	电子调节器	Voltage ragulater	1	
22	ZD150×8	可松开式锁式扎带	Clingulum	10	
23	350.48C.010	电熄火器(泰国)	Electrucity stop (Thailand)	1	
24	300-6.48.020-1	转向灯 (EC)	Steering lamp (EC)	2	
25	200.48B.108	线夹	Wire clip	3	optional

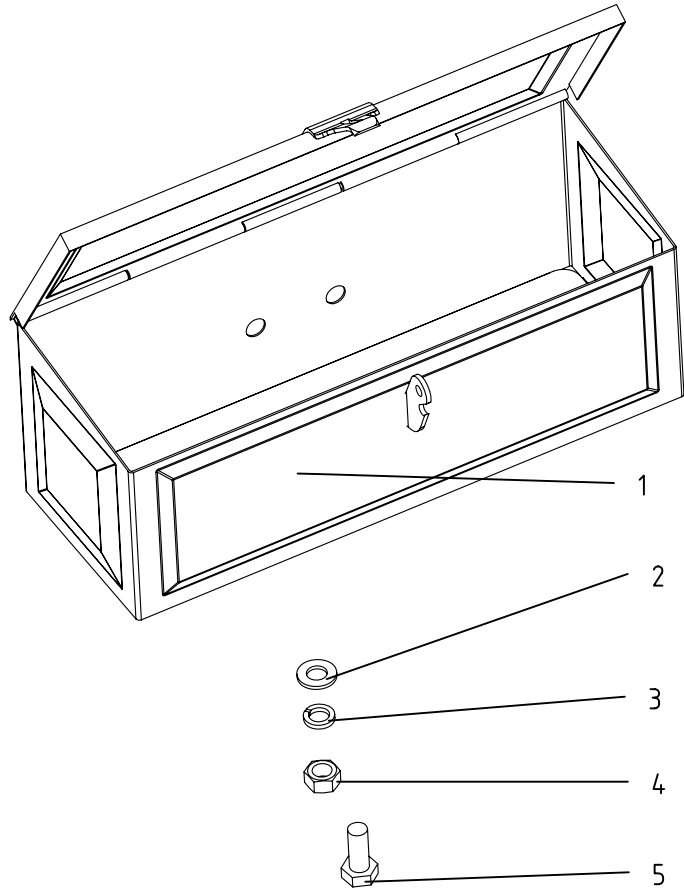
17 电气系统总成 (EC)

Electrical System (EC)

续表

序号 Ser.No.	代号 Part No.	名称及规格	Name & Specifications	数量 Quantity	备注 Remarks
26	JK938A	前照灯开关	Head lamp switch	1	
27	JK938A	驻车闪光开关	Parking flasher	1	
28	JK938A	喇叭开关	Horn swich	1	
29	JK938A	警示灯开关	Caution light swich	1	
30	JK938A	左右转向灯开关	Turning swich	1	
31	JK938A	后照灯开关	Tail lamp switch	1	
32	300-6. 48. 026	电子闪光器 (SG152)	Flasher	1	
33	304G2-6E. 48. 101	起动开关标牌	Starting scutcheon	1	
34	JK406B	预热起动开关	Pre-heating starting switch	1	
35	304G2-6E. 48. 102	油量传感器	Oil level sensor	1	
36	300-6. 48. 014-1	右挡泥板线束	Right-rear wiring harness	1	
37	300-6. 48. 019-1	牌照灯(EC)	License light(EC)	1	
38	300-6. 48. 013-1	左挡泥板线束	Left-rear wiring harness	1	
39	804-6. 48. 024	后工作灯	Tail lamp	2	
40	300-6.48.022-1	组合后灯 (EC)	Combination rear signal lamp(EC)	2	
41	KD105	PT0540r/min档位开关 (常开)	Switch for PTO shaft speed of 540 rpm	1	
42	KD105	PT0空档开关 (常开)	Switch for PTO neutral	1	
43	KD105	PT01000r/min档位开关 (常开)	Switch for PTO shaft speed of 1000 rpm	1	
44	JB1041	起动安全开关	Security switch	1	
45	JK231B	制动灯开关	Brakelight switch	1	

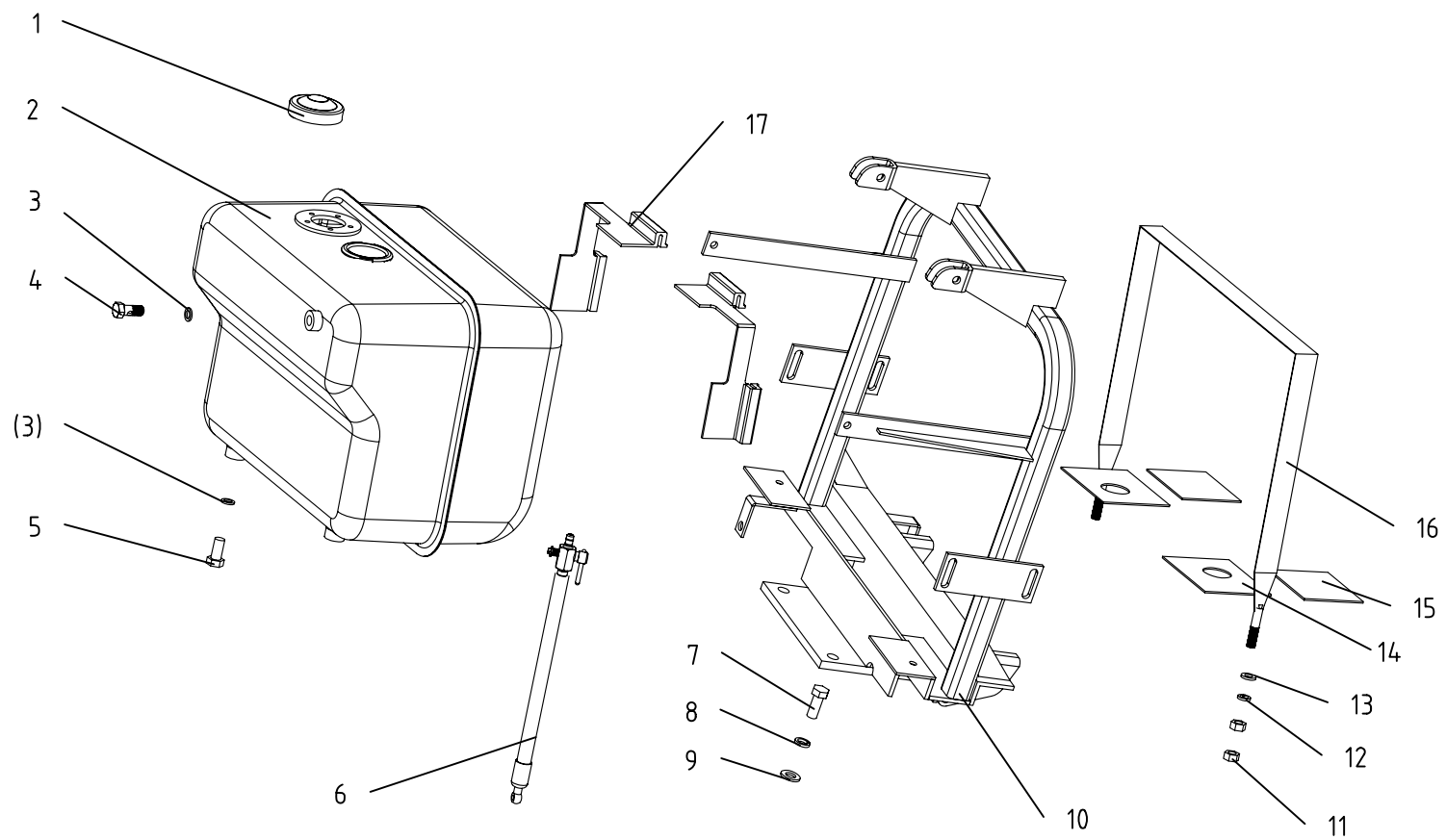
18 工具箱总成 Toolbox



18 工具箱总成 Toolbox

Ser.No.	Part No.	名称及规格	Name & Specifications	Quantity	Remarks
1	450.49.001	工具箱	Toolbox	1	
2	GB/T97.1-2002-10	垫圈 10	Plain washer 10	2	
3	GB/T93-1987-10	垫圈 10	Spring lock washer 10	2	
4	GB/T6170-2000-M10	螺母 M10	Hex. nut M10	2	
5	GB/T5783-2000-M10×20	螺栓 M10×20	Hex. head bolt M10×20	2	

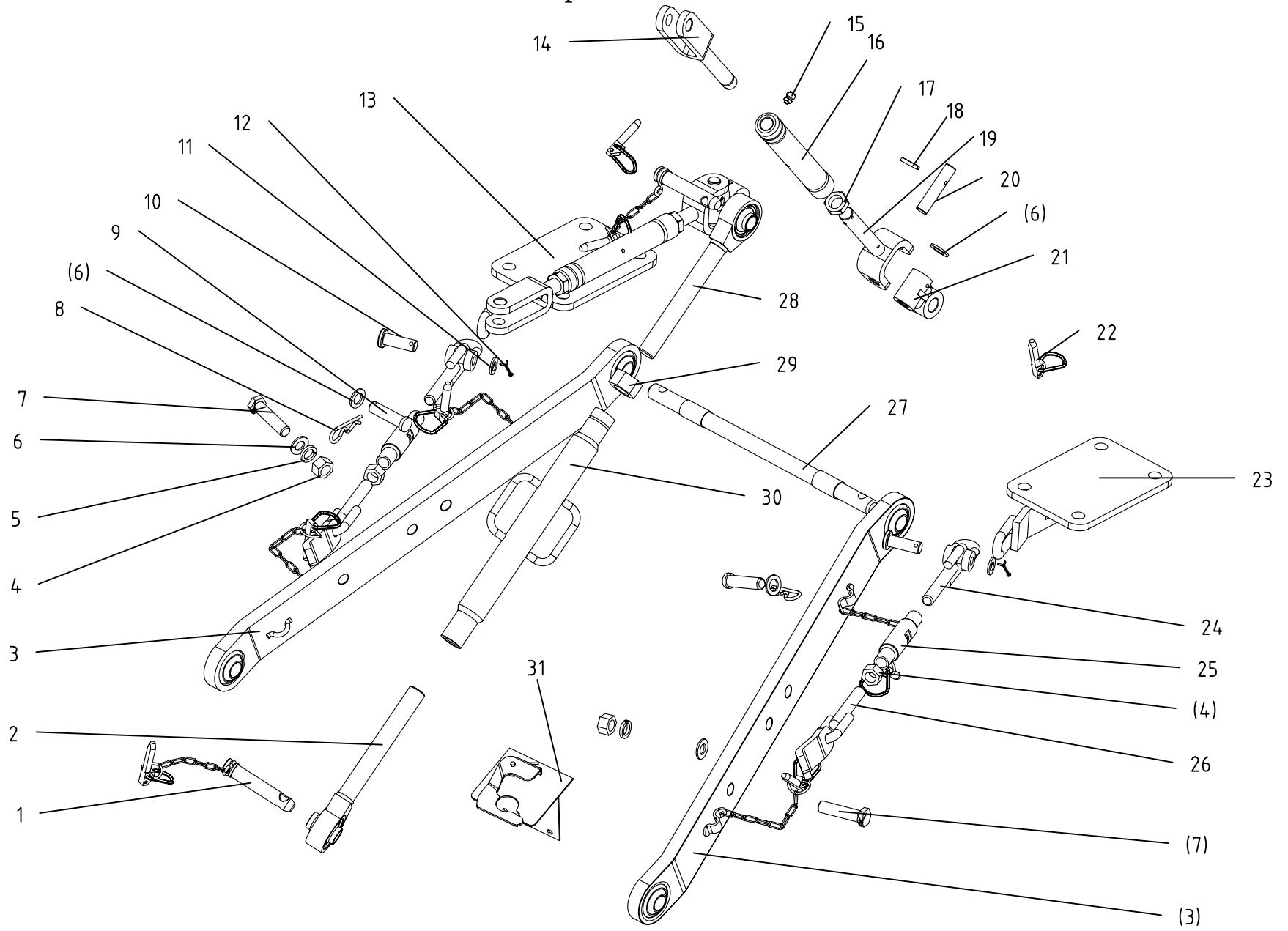
19 燃油箱总成 Fuel Tank



19 燃油箱总成 Fuel Tank

Ser.No.	Part No.	名称及规格	Name & Specifications	Quantity	备注 Remarks
1	LHYXG-2	油箱盖组合件	Fuel tank cap	1	
2	300-6.50.011	燃油箱焊合件	Fuel tank	1	
3	GB/T3541-1983-12	垫圈12	Washer 12	3	
4	GB/T3451-1983-M12×1.25	铰接螺栓 M12×1.25	Hollow hex.head bolt M12×1.25	1	
5	GB/T5786-2000-M12×1.25×16	螺栓 M12×1.25×16	Hex.head bolt M12×1.25×16	1	
6	300.50.015	燃油输油管路总成	Fuel Filter pipe	1	
7	GB/T5783-2000-M12×30	螺栓 M12×30	Hex. head bolt M12×30	4	
8	GB/T93-1987-12	垫圈 12	Spring lock washer 12	4	
9	GB/T97.1-2002-12	垫圈 12	Plain washer 12	4	
10	304-6.50.011	托板焊合件	Fuel tank cradle	1	
11	GB/T6170-2000-M10	螺母 M10	Hex. nut M10	4	
12	GB/T93-1987-10	垫圈 10	Spring lock washer 10	2	
13	GB/T97.1-2002-10	垫圈10	Plain washer 10	2	
14	200.50.106	前橡胶垫	Front rubber pad	2	
15	200.50.101	上橡胶垫	Upper Rubber pad	2	
16	254-3.50.022A	紧箍带焊合件	Fule tank strap	1	
17	200.50.107	橡胶垫	Rubber pad	2	

20 悬挂装置总成 Suspension Mechanism



20 悬挂装置总成 Suspension Mechanism

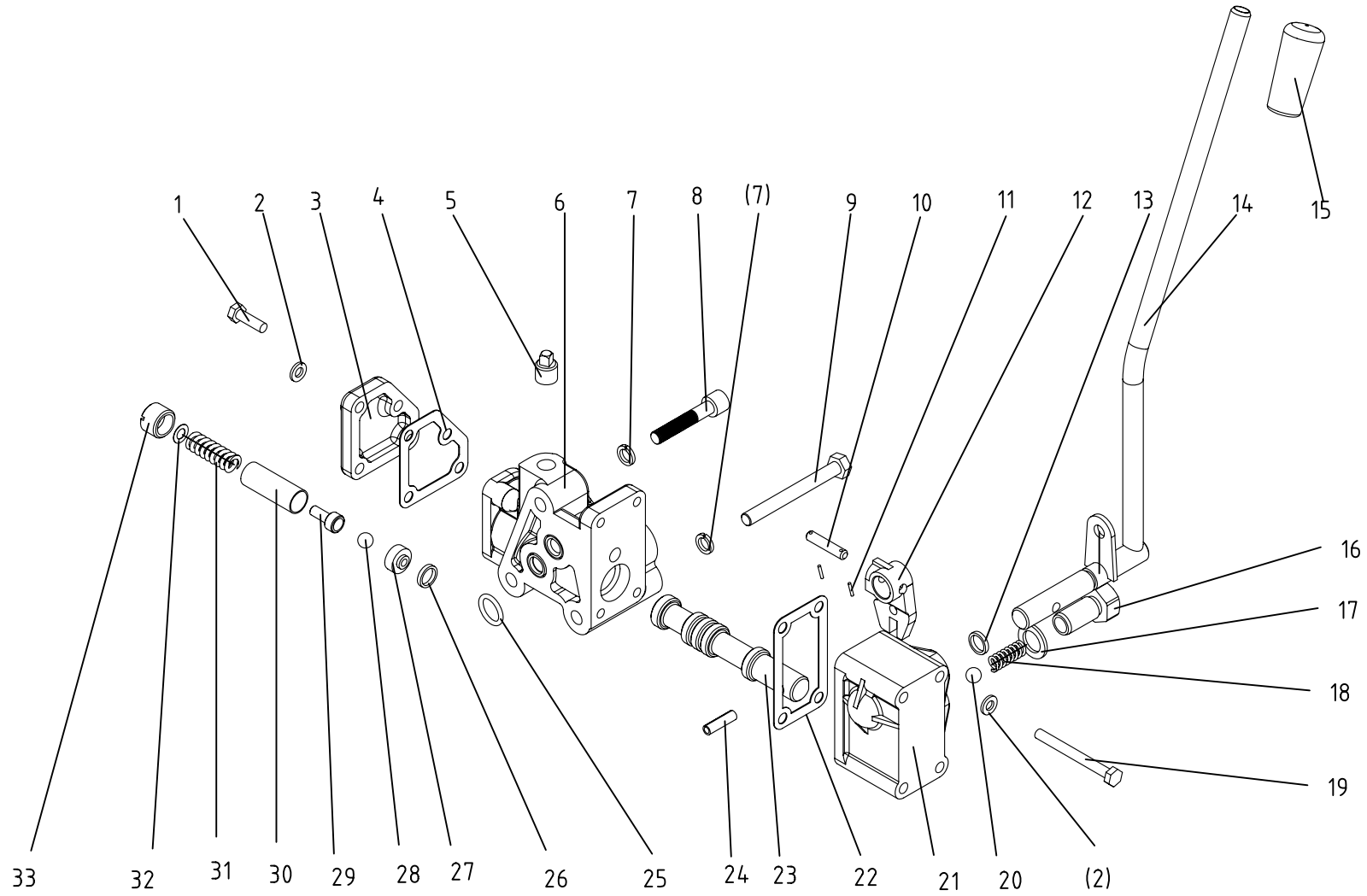
序号 Ser.No.	代号 Part No.	名称及规格 Name & Specifications	数量 Quantity	备注 Remarks
1	200.56.016	上拉杆连接销总成 Coupling pin of upper link	2	
2	300.56.020-1	上拉杆后调节杆总成 Upper link rear adjusting rod	1	
3	280.56.014	下拉杆焊合件 Lower link weldment	2	
4	GB/T6170 -2000	螺母 M16 Hex.nut M16	2	
5	GB/T93-1987	垫圈 16 Spring lock washer 16	2	
6	GB/T97.1-2002	垫圈 16 Plain washer 16	6	
7	GB/T5782-2000	螺栓 M16×80 Hex. head bolt M16×80	2	
8	200.56.101-1	R销 R-pin	2	
9	GB/T882-1986	销轴 B16×55 Clevis pin with head B16×55	2	
10	GB/T882-1986	销轴 B12×45 Clevis pin with head B12×45	2	
11	GB/T97.1-2002	垫圈 12 Plain washer 12	2	
12	GB/T91-2000	开口销 4×20 Split pin 4×20	2	
13	280.56.023A	左前限位链焊合件 Left-front check chain	1	
14	280.56.018	提升杆下吊耳焊合件 Lower clevis of lift rod	2	
15	JB/T7940.1-1995	油杯 M10×1 Grease nipple M10×1	2	
16	280.56.029	提升杆焊合件 Lift rod upper clevis	2	
17	GB/T6173-2000	螺母 M20×2 Hex.nut M20×2	2	
18	GB/T91-2000	销 3.2×26 Split pin 3.2×26	2	
19	280.56.017	提升杆上吊耳焊合件 Lift rod up clevis	2	
20	GB/T882 -1986	销 B16×80 Clevis pin with head 16×80	2	
21	300.56.113	提升杆十字接头 Cross joint of lift rod	2	
22	200.56.011	锁销组合件 Kock pin	2	
23	280.56.022A	右前限位链焊合件 Right-front check chain	1	
24	280.56.020	前限位链焊合件 Front check chain	2	

20 悬挂装置总成 Suspension Mechanism

续表

序号 Ser.No.	代号 Part No.	名称及规格 Name & Specifications	数量 Quantity	备注 Remarks
25	300.56.155-1	调节套 Adjusting sleeve	2	
26	280.56.019	后限位链焊合件 Rear check chain	2	
27	200.56.103	下拉杆连接轴 Lower link shaft	1	
28	300.56.018-1	上拉杆前调节杆总成 Upper link front adjusting rod	1	
29	GB/T6170-2000	六角螺母 M24 Hex .nut M24	1	
30	280.56.016	调节螺管焊合件 Turn buckle of upper link	1	
31	254-1.56.011-1	上拉杆固定架总成 Vpper link fixation assembly	1	
	280.56.001	悬挂装置总成 Suspension Mechanism	1	No.1-30

21.1 分配器总成 Hydraulic Oil Distributor



21.1 分配器总成 Hydraulic Oil Distributor

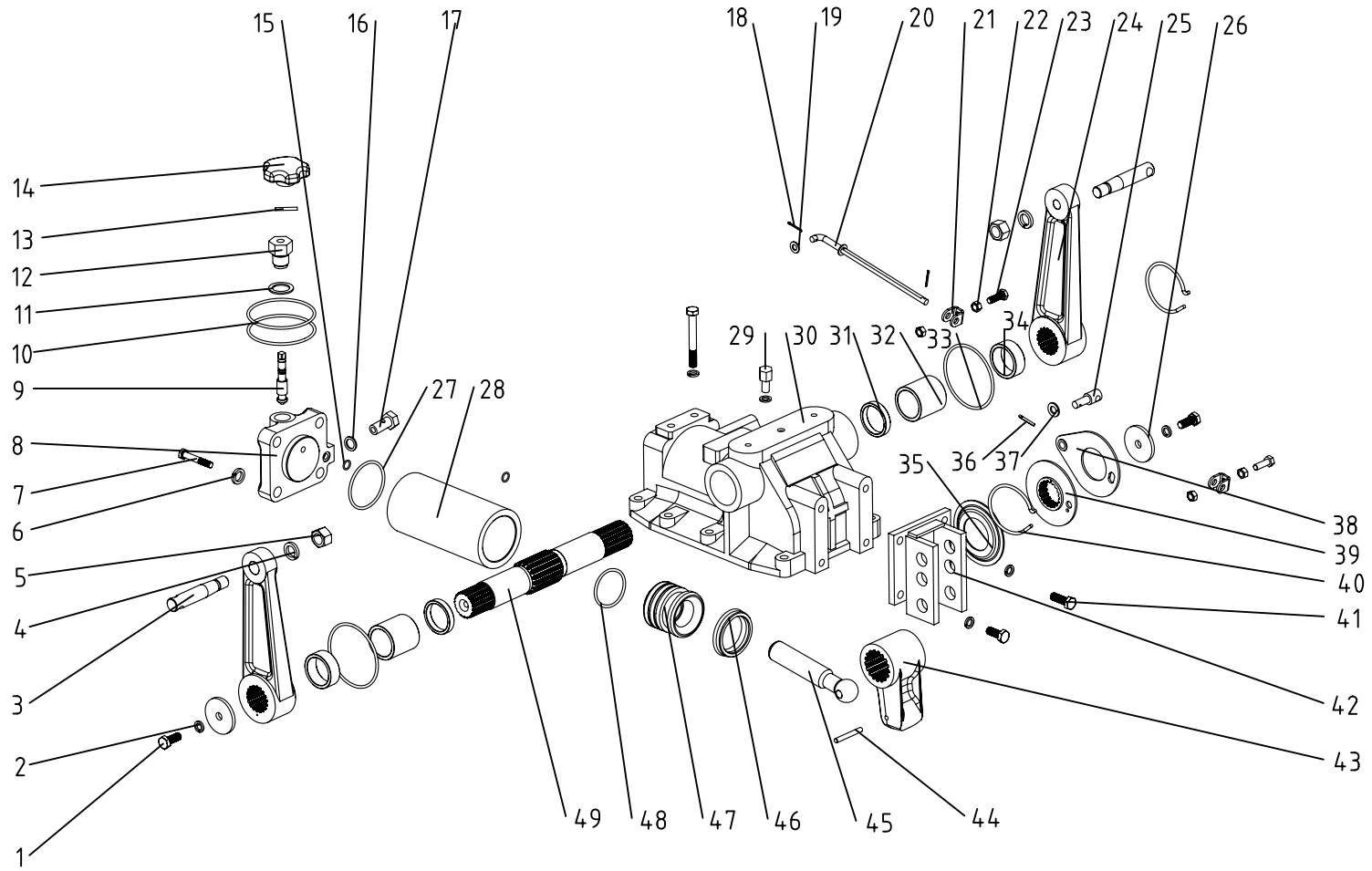
Ser.No.	Part No.	名称及规格	Name & specifications	Quantity	Remarks
1	GB/T5783-2000-M6×20	螺栓 M6×20	Hex. head bolt M6×20	4	
2	GB/T97.1-2002-6	垫圈 6	Plain washer 6	8	
3	200.55.131	端盖	End cover	1	
4	200.55.132	端盖纸垫	Paper gasket	1	
5	GB/T3289.31-1982-R1/4	外方管堵R1/4	Square head oil plug R1/4	1	
6	200.55.126-A	分配器壳体	Distributor body	1	
7	GB/T93-1987-8	垫圈 8	Spring lock washer 8	3	
8	GB/T70.1-2000-M8×25	内六角圆柱螺栓M8×25	Hex.socked cap screwM8×25	2	
9	GB/T5782-2000-M8×75	螺栓M8×75	Hex. head bolt M8×75	1	
10	GB/T880-1986-6×30	销6×30	Pin 6×30	1	
11	GB/T91-2000-1.6×10	销1.6×10	Split pin 1.6×10	2	
12	200.55.128	拔叉	Fork	1	
13	GB/T3452.1-1992-10.6×1.8	O形圈10.6×1.8	O-ring seal 10.6×1.8	1	
14	300-6.55.018	手柄焊合件	Handle assy	1	
15	200.55.149	塑料把	Handle	1	
16	200.55.129-1	定位螺钉	Positioning bolt	1	
17	JB/T6013-2000-14	垫圈14	Copper washer 14	1	
18	200.55.130	定位弹簧	Positioning spring	1	
19	GB/T5782-2000-M6×60	螺栓M6×60	Hex. head bolt M6×60	4	
20	GB/T308-2002-9.5	钢球9.5	Steel ball 9.5	1	
21	200.55.123	拔叉盒	Fork box	1	
22	200.55.125	拔叉盒纸垫	Paper gasket	1	
23	200.55.127	操纵阀	Sliding valve	1	
24	GB/T879.1-2000-6×22	销6×22	Slotted spring pin 6×22	1	
25	GB/T3452.1-1992-17×2.65	O形圈17×2.65	O-ring seal 15×2.65	1	

21.1 分配器总成 Hydraulic Oil Distributor

续表:

Ser.No.	Part No.	名称及规格	Name & specifications	Quantity	Remarks
26	GB/T3452.1-1992-10.6×2.65	O形圈10.6×2.65	O-ring seal 10.6×2.65	1	
27	200.55.138	垫块	Pad	1	
28	GB/T308-2002-9	钢球9	Steel ball dia.9	1	
29	200.55.137	球座	Ball seat	1	
30	200.55.136	套管	Sleeve	1	
31	200.55.135-1	安全阀弹簧	Safety valve Spring	1	
32	200.55.134	调节垫片	Adjusting shims	2~5	
33	200.55.133	螺塞	Plug	1	
	300-6.55.001	分配器总成	Hydraulic oil distributor	1	NO.1-33

21.2 提升器总成 Hydraulic Power Lift



21.2 提升器总成 Hydraulic Power Lift

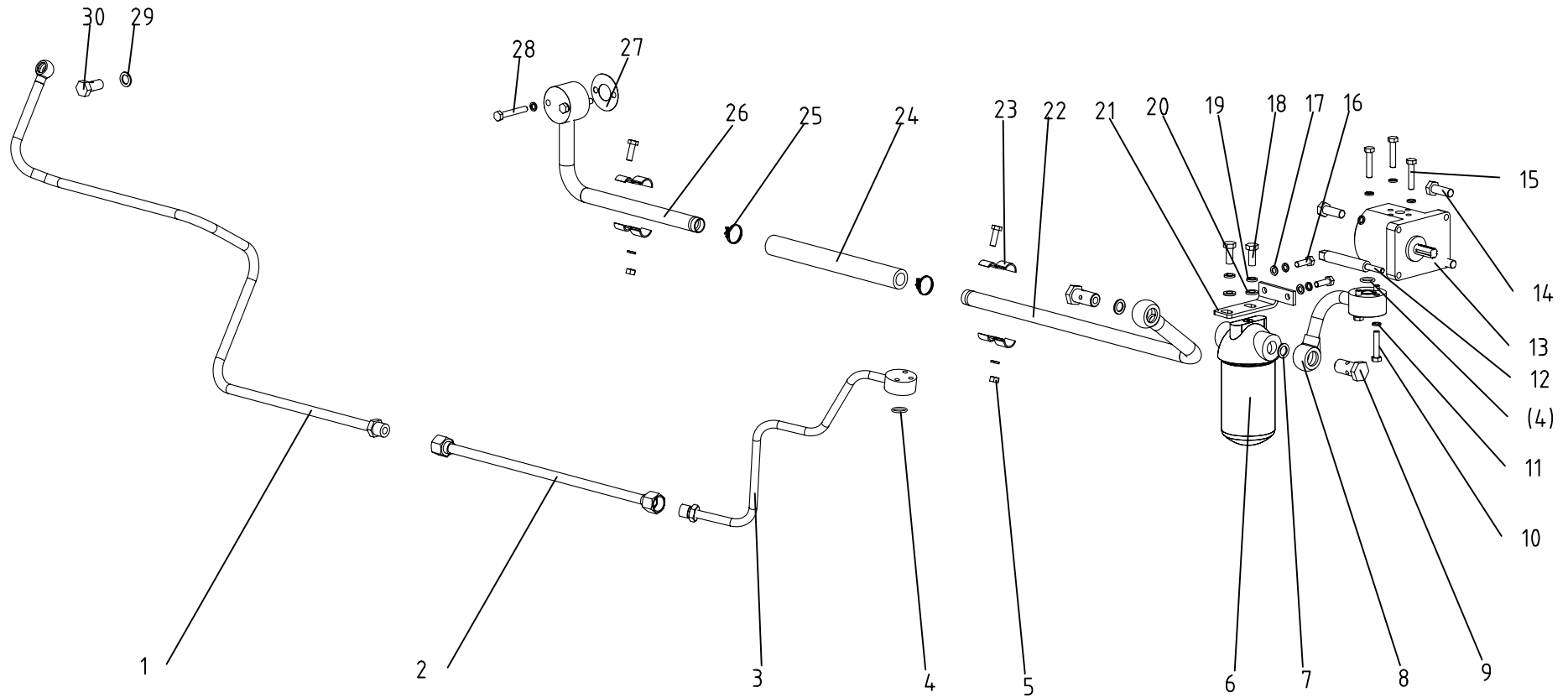
Ser.No.	Part No.	名称及规格	Name & Specifications	Quantity	Remarks
1	GB/T5783-2000- M10×25	螺栓 M10×25	Hex. head bolt M10×25	2	
2	GB/T93-1987-10	垫圈 10	Spring washer 10	6	
3	200.55.105	提升臂销	Lift arm pin	2	
4	GB/T93-1987-16	垫圈 16	Spring washer 16	2	
5	GB/T6170-2000-M16	螺母 M16	Hex. nut M16	2	
6	GB/T93-1987-14	垫圈 14	Spring washer 14	4	
7	GB/T5782-2000-M14×45	螺栓 M14×45	Hex. head bolt M14×60	4	
8	200.55.114-1	油缸盖	Cylinder cover	1	
9	200.55.118-1	液压锁紧阀	Hydraulic lock valve	1	
10	GB/T3452.1-1992-6.3×1.8	O形密封圈 6.3×1.8	O-ring seal 6.3×1.8	2	
11	JB/T1002-1977-22	垫圈 22	Washer 22	1	
12	200.55.112-1	阀杆螺母	Valve -pole nut	1	
13	GB/T879.1-2000-5×24	销5x24	Pin5x24	1	
14	300.55.020	手轮胶合件	Handwheel assy	1	
15	GB/T3452.1-1992-10.6×1.8	O形密封圈 10.6×1.8	O-ring seal 10.6×1.8	1	
16	GB/T3541-1983-14	垫圈 14	Washer 14	1	
17	JB/T1000-1977-M14×1.5	螺塞 M14×1.5	Plug M14×1.5	1	
18	GB/T91-2000-2×16	销 2×16	Split pin 2×16	2	
19	GB/T97.1-2002-8	垫圈 8	Plain washer 8	1	
20	200.55.013	联动杆焊合件	Linkage rod	1	
21	200.55.119-1	挡块	Limit spot	2	
22	GB/T6170-2000-M8	螺母 M8	Hex. nut M8	2	
23	GB/T5783-2000- M8×25	螺栓 M8×25	Hex. head bolt M8×25	2	
24	300-6.55.106	外提升臂	Lift arm	2	
25	200.55.120	联动销	Linkage pin	1	

21.2 提升器总成 Hydraulic Power Lift

续表

Ser.No.	Part No.	名称及规格	Name & Specifications	Quantity	Remarks
26	200.55.107	压板	Clamping plate	2	
27	GB/T3452.1-1992-87.5×3.55	O形密封圈 87.5×3.55	O-ring seal 87.5×3.55	1	
28	200.55.115-1	油缸	Cylinder	1	
29	200.55.111-2	通气螺塞	Vent tube	1	
30	200.55.101-2	提升器壳体	Lift case	1	
31	200.55.102	隔套	Spacer sleeve	2	
32	200.55.103A	衬套	Bush	2	
33	GB/T3452.1-1992- 38.7×5.3	O形密封圈 38.7×5.3	O-ring seal 38.7×5.3	2	
34	200.55.104	挡圈	Retainer ring	2	
35	200.55.122	挡盘	Retainer plate	1	
36	GB/T91-2000- 3.2×20	销 3.2×20	Split pin 3.2×20	1	
37	GB/T97.1-2002-10	垫圈 10	Plain washer 10	1	
38	200.55.014	拨盘焊合件	Driven plate	1	
39	200.55.016	传动盘焊合件	Drive plate weldment	1	
40	200.55.121	扭簧	Torsion spring	1	
41	GB/T5783-2000- M10×30	螺栓 M10×30	Hex. head bolt M10×30	4	
42	280.55.017	挂接板焊合件	Hitching plate	1	
43	300.55.132	内提升臂	Inner lift arm	1	
44	GB/T879.1-2000- 6×50	销 6×50	Slotted spring pin 6×50	1	
45	200.55.109	活塞顶杆	Piston push rod	1	
46	200.55.117-1	YX形密封圈 D75	YX-seal D75	1	
47	200.55.116-1	活塞	Piston	1	
48	GB/T3452.1-1992-69×3.55	O形密封圈69×3.55	O-ring seal 69×3.55	1	
49	200.55.110-1	提升轴	Lift shaft	1	
	300-6.55.001	提升器总成	Hydraulic power lift	1	No.1-49+300-6.55.011

22 滤油器油泵油管总成 Oil pump, Filter, Pipe and Fittings



22 滤油器油泵油管总成 Oil Pump, Filter, Pipe and Fittings

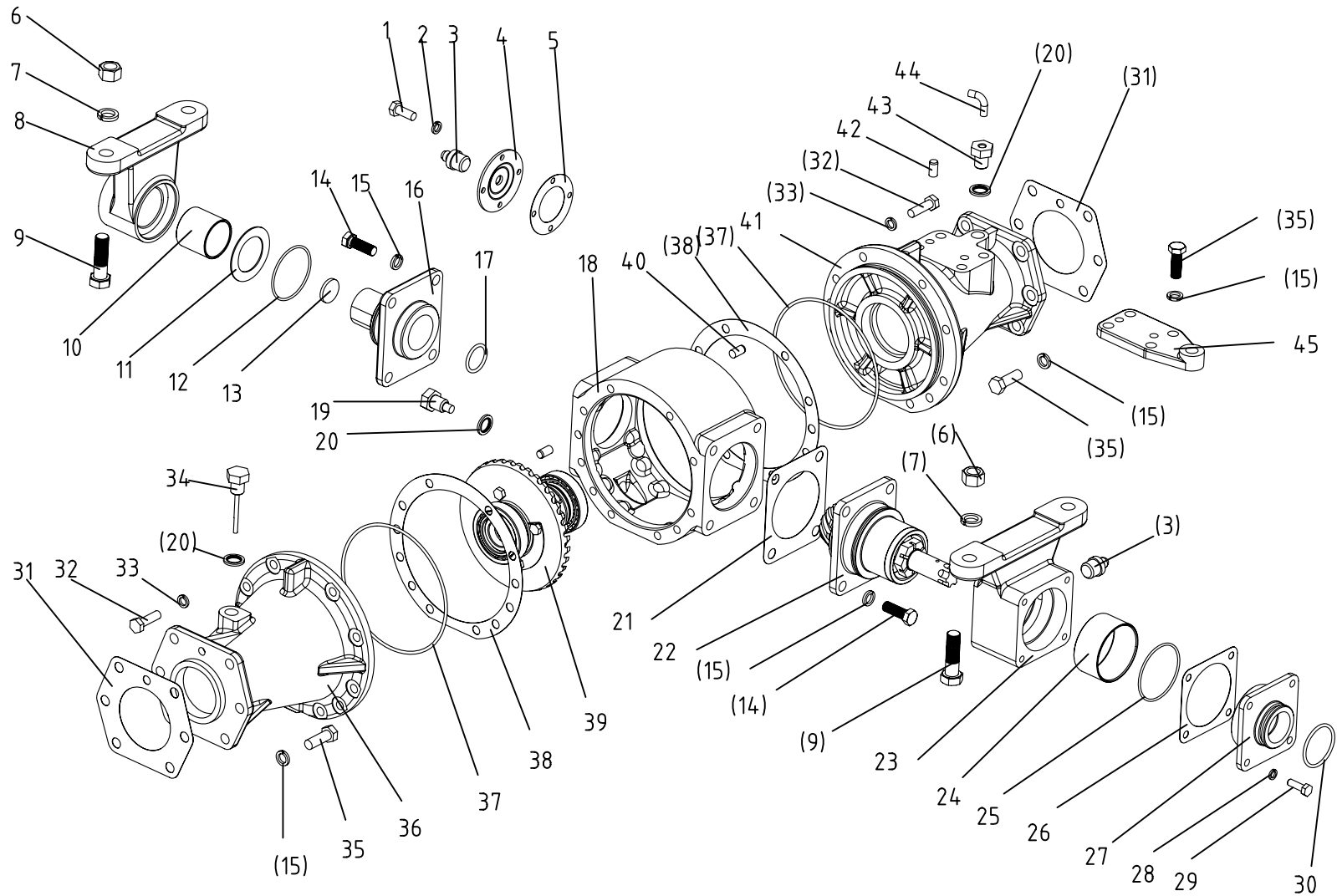
Ser.No.	Part No.	名称及规格	Name & Specifications	Quantity	Remarks
1	304-6E.58.012	多路阀进油管后段焊合件	Inlet pipe weldment, rear part	1	Optional
	254-9.58.013	分配器进油管后段焊合件	Distributor inlet rear part pipe assy	1	
2	254-5.58.013	软管总成	Hose assy	1	
3	254-9.58.011	多路阀进油管前段焊合件	Inlet pipe weldment, front part	1	
4	GB/T3452.1-1992-18×2.65	O型圈 18×2.65	O-ring seal 18×2.65	2	
5	GB/T6170-2000-M8	螺母 M8	Hex.nut M8	2	
6	YX0811A-0000	液压油滤清器总成	Hydraulic oil Filter assy	1	
7	JB/T982-1977-22	垫圈 22	Washer 22	4	
8	404B.58.011	油泵吸油管焊合件	Suction pipe assy of gear pump	1	
9	320.58.108	铰接螺栓 M22×1.5	Hollow bolt M22×1.5	2	
10	GB/T5783-2000-M8×45	螺栓 M8×45	Hex. head bolt M8×45	3	
11	GB/T93-1987-8	垫圈 8	Spring lock washer 8	14	
12	300.58.102	紧固螺栓	Fastening bolt	1	
13	CBN-E310B	齿轮泵	Gear pump	1	左旋 Left circle
14	GB/T5783-2000-M8×35	螺栓 M8×35	Hex. head bolt M8×35	3	
15	GB/T5783-2000-M8×40	螺栓 M8×40	Hex. head bolt M8×40	3	
16	GB/T5783-2000-M8×25	螺栓 M8×25	Hex. head bolt M8×25	4	
17	GB/T97.1-2002-8	垫圈 8	Spring lock washer 8	2	
18	GB/T5783-2000-M10×20	螺栓 M10×20	Hex. head bolt M10×20	2	
19	GB/T93-1987-10	垫圈 10	Spring lock washer 10	2	
20	GB/T97.1-2002-10	垫圈 10	Plain washer 10	2	
21	304-6E.58.101	滤清器支架	Filter plank	1	
22	354.58B.016	滤清器进油管焊合件 (二)	Filter inlet pipe weldment (2)	1	
23	404B.58D.120-1	固定夹	Fixed clip	4	

22 滤油器油泵油管总成 Oil Pump, Filter, Pipe and Fittings

续表

Ser.No.	Part No.	名称及规格	Name & Specifications	Quantity	Remarks
24	HG4-761-74- 22×32×270	输油胶管 22×32×270	Hose 22×32×270	1	
25	JB/T8870-1999-2A (25-38)	喉箍 2A (25-38)	Hoop 2A (25-38)	2	
26	354.58B.015	滤清器进油管焊合件 (一)	Filter inlet pipe weldment(1)	1	
27	304.58A.101	纸垫	Paper gasket	1	
28	GB/T5783-2000- M8×55	螺栓 M8×55	Hex. head bolt M8×55	2	
29	354.61.102	垫圈	Washer	2	
	JB/T982-1977-14	垫圈 14	Washer 14	2	Optional
30	354.61.101	铰接螺栓	Hollow bolt	2	
	200.55.124	空心螺栓 M14×1.5	Hollow bolt M14×1.5	2	Optional
	YX0811A	液压油滤芯	Hydraulic oil filter	1	

23.1 前驱动桥总成(中) Front Drive Axles (Middle)



23.1 前驱动桥总成(中) Front Wheel Drive Axle (middle)

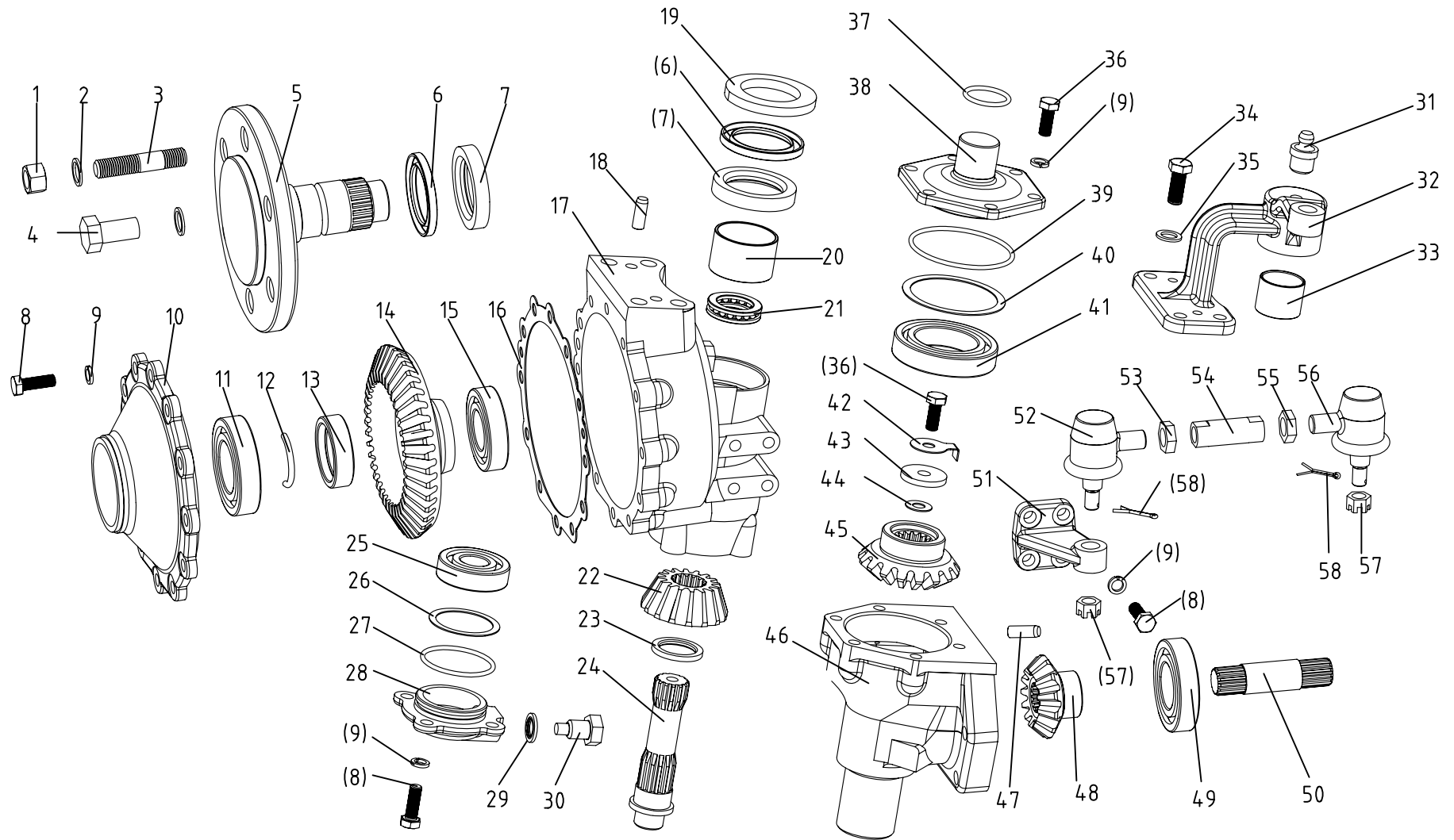
Ser.No.	Part No.	名称及规格	Name & Specifications	Quantity	Remarks
1	GB/T5783-2000-M6×12	螺栓 M6×12	Hex. head bolt M6×12	4	
2	GB/T93-1987-6	垫圈 6	Spring lock washer 6	4	
3	JB/T7940.1-1995-M10×1	油杯 M10×1	Grease cup M10×1	2	
4	304.31.019	前支座端盖组合件	End cover of front pedestal	1	
5	304.31.122	端盖垫片	End cover gasket	1	
6	GB/T6170-2000-M16	螺母 M16	Hex. nut M16	4	
7	GB/T93-1987-16	垫圈 16	Spring lock washer 16	4	
8	304.31.220-3	前支座	Front pedestal	1	
9	GB/T27-1988-M16×65	螺栓 M16×65	Hex. head bolt M16×65	4	
10	304.31.219-1	前支座衬套	Front pedestal bush	1	
11	304.31.123-1	前摆轴垫片	Shims for front swing axle	one set	1组每种各1片 One pcs for each size
12	GB/T3452.1-1992-65×2.65	O型圈 65×2.65	O-ring seal 65×2.65	1	
13	ZB T32003-88-24	碗形塞片 24	Casing cap	1	
14	GB/T5786-2000-M12×1.5×35	螺栓 M12×1.5×35	Hex. head bolt M12×1.5×35	8	
15	GB/T93-1987-12	垫圈 12	Spring lock washer 12	24	
16	304.31.124-2	前摆轴	Front swing axle	1	
17	GB/T3452.1-1992-69×3.55	O型圈 69×3.55	O-ring seal 69×3.55	1	
18	304.31.116-2	主传动壳体	Main drive case	1	
19	200.38.024	放油螺塞总成	Oil drain plug	1	
20	12.37.149	组合密封垫圈	Combined seal washer	3	
21	304.31.125-1	轴承座垫片	Shims for bearing seat	one set	1组每种各2片 Two pcs for each size
22	304.31.022-1	主动锥齿轮总成	Bevel drive pinion assembly	1	
23	304.31.222-2	后支座	Rear pedestal	1	

23.1 前驱动桥总成(中) Front Wheel Drive Axle (middle)

续表

Ser.No.	Part No.	名称及规格	Name & Specifications	Quantity	Remarks
24	304.31.221-1	后支座衬套	Rear pedestal bush	1	
25	GB3452.1-82	O型圈 69×2.65	O-ring seal 69×2.65	1	
26	304.31.126-1	后支座盖垫片	Gasket for end cover	1	
27	304.31.127-2	后支座盖	End cover of rear pedestal	1	
28	GB/T93-1987-8	垫圈 8	Spring lock washer 8	4	
29	GB/T5783-2000-M8×25	螺栓 M8×25	Hex. Head bolt M8×25	4	
30	GB/T3452.1-1992- 48.7×3.55	O型圈 48.7×3.55	O-ring seal 48.7×3.55	1	
31	304.31.128-1	立轴套管垫片	Gasket for Upright shaft housing	2	
32	GB/T5783-2000- M10×35	螺栓 M10×35	Hex. head bolt M10×35	20	
33	GB/T93-1987-10	垫圈10	Spring lock washer 10	20	
34	304.31.013-1	量油尺合件	Oil dipstick	1	
35	GB/T5783-2000-M12×35	螺栓 M12×35	Hex. head bolt M12×35	16	
36	254G2.31A.105	左半轴套管	Left half shaft housing	1	
37	GB/T3452.1-1992-160×3.55	O型圈 160×3.55	O-ring seal 160×3.55	2	
38	304.31.117-1	主传动壳体垫片	Shims for main drive case	two sets	1组每种各2片 Two pcs for each size
39	304.31.014A	差速器总成	Differential assembly	1	
40	GB/T119.1-2000-A10×20	销 A10×20	Straight pin A10×20	2	
41	254G2.31A.108	右半轴套管	Right half shaft housing	1	
42	GB/T119.1-2000-A10×16	销 A10×16	Straight pin A10×16	2	
43	304.31.118-1	通气螺塞	Vent plug	1	
44	304.31.119-1	通气管	Vent pipe	1	
45	304.31.234	转向油缸座	Power steering cylinder bracket	1	

23.2 前驱动桥总成(左边减速) Front Drive Axle(Left Side-Slowdown)



23.2 前驱动桥总成（左边减速） Front Wheel Drive Axle (Left Side-Slowdown)

Ser.No.	Part No.	名称及规格	Name & Specifications	Quantity	Remarks
1	GB/T6176-2000-M18×1.5	螺母 M18×1.5	Hex. nut M18×1.5	2	
2	GB/T93-1987-18	垫圈 18	Spring lock washer 18	6	
3	304.31.179	螺柱	Double screw bolt	2	
4	GB/T5786-2000-M18×1.5×35	螺栓 M18×1.5×35	hex. head bolt M18×1.5×35	4	
5	304.31.101-2	驱动轴	Drive shaft	1	
6	HG4-692-67-W50×72×7	油封 W50×72×7	Oil-seal W50×72×7	2	
7	HG4-692-67-PD50×72×12	油封 PD50×72×12	Oil-seal PD50×72×12	2	
8	GB/T5783-2000-M10×30	螺栓 M10×30	Hex. head bolt M10×30	20	
9	GB/T93-1987-10	垫圈 10	Spring lock washer 10	26	
10	304.31.104-3	驱动轴盖	Drive shaft cover	1	
11	GB/T276-1994-6209	轴承 6209	Ball bearing 6209	1	
12	304.31.102-2	驱动轴固定圈	Fixing ring of drive shaft	2	
13	304.31.103-2	驱动轴垫圈	Drive shaft sleeve	1	
14	304.31.132-2	末减速被动齿轮	Driven bevel gear of final drive	1	
15	GB/T276-1994-6207	轴承 6207	Ball bearing 6207	1	
16	304.31.105-1	驱动轴盖垫片	Gasket for drive shaft cover	1	
17	304.31.228-4	左边减速壳体	Left final drive housing	1	
18	GB/T119.1-2000-A10×28	销 A10×28	Straight pin A10×28	2	
19	304.31.130	毛毡圈	Felt washer	1	
20	304.31.217-1	边减速壳体衬套	Final drive housing bushing	1	
21	GB/T301-1995-51106	轴承 51106	Thrust ball bearing 51106	1	
22	304.31.131-2	末减速主动齿轮	Driving bevel gear of final drive	1	
23	304.31.140	隔套	Spacer	1	
24	304.31.107-3	立轴	Upright shaft	1	
25	GB/T276-1994-6305	轴承 6305	Ball bearing 6305	1	

23.2 前驱动桥总成（左边减速） Front Wheel Drive Axle (Left Side-Slowdown)

续表

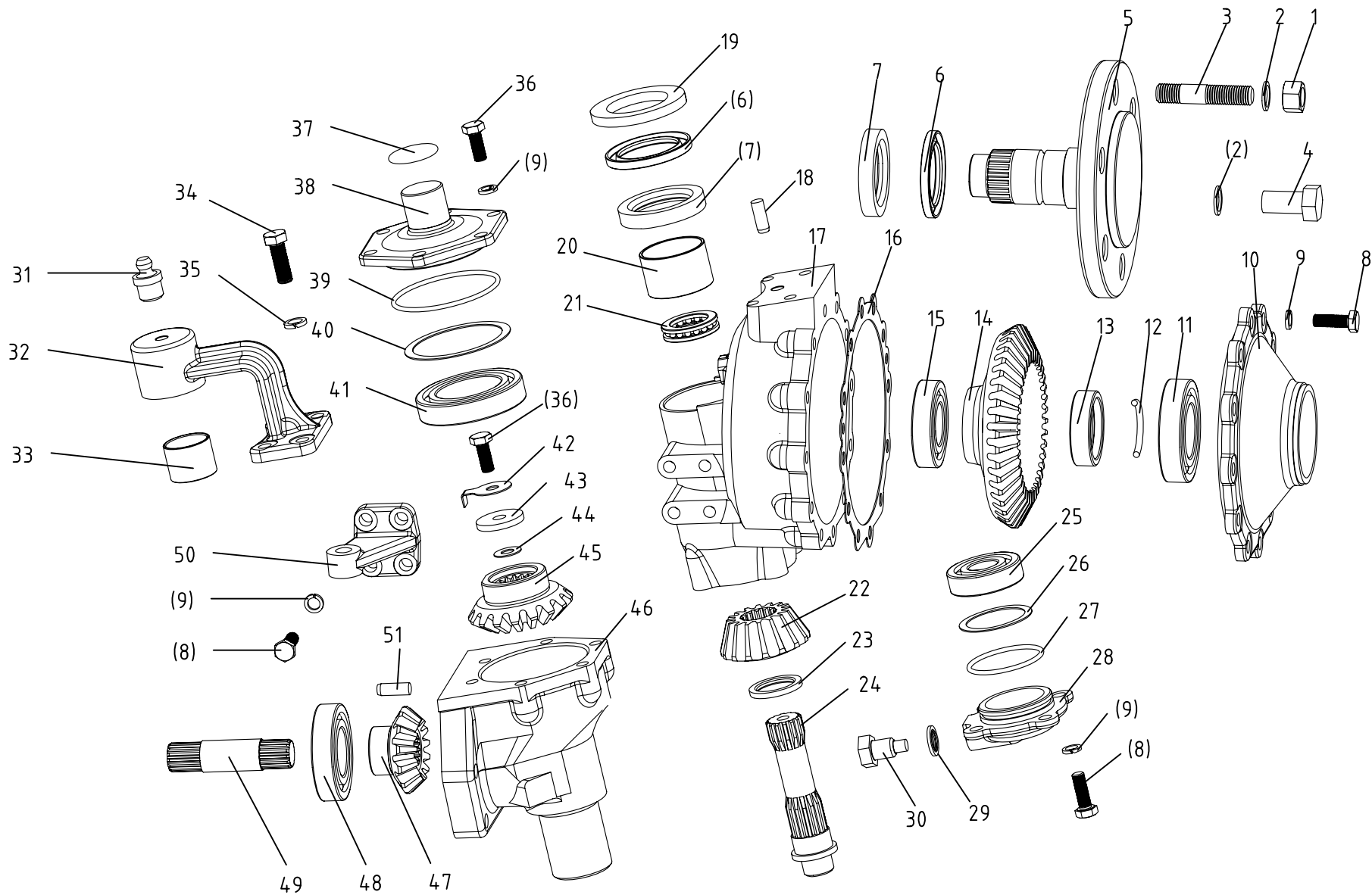
Ser.No.	Part No.	名称及规格	Name & Specifications	Quantity	Remarks
26	304.31.139	末端传动调整垫片	Adjusting shims for final drive	one set	1组每种各2片 Two pcs for each size
27	GB/T3452.1-1992-56×2.65	O形圈 56×2.65	O-ring seal 56×2.65	1	
28	304.31.137-2	下轴承盖	Lower bearing cover	1	
29	12.37.149	组合密封垫圈	Combined seal washer	1	
30	200.38.024	放油螺塞总成	Oil drain plug	1	
31	JB/T7940.1-1995-M10×1	油杯 M10×1	Grease cup M10×1	1	
32	254G2.31A.101	左转向臂	Left steering arm	1	
33	304.31.202-1	联接转向臂衬套	Steering arm bushing	1	
34	GB/T5783-2000-M12×40	螺栓 M12×40	Hex. head bolt M12×40	4	
35	GB/T93-1987-12	垫圈 12	Spring lock washer 12	4	
36	GB/T5783-2000-M10×25	螺栓 M10×25	Hex. head bolt M10×25	7	
37	GB/T3452.1-1992-34.5×2.65	O型圈 34.5×2.65	O-ring seal 34.5×2.65	1	
38	304.31.111-3	上轴承盖	Upper bearing cover	1	
39	GB/T3452.1-1992- 85×2.65	O形圈 85×2.65	O-ring seal 85×2.65	1	
40	304.31.133	中间传动调整垫片	Adjusting shims for the first drive	one set	1组每种各2片 Two pcs for each size
41	GB/T276-1994-6011	轴承 6011	Ball bearing 6011	1	
42	304.31.138	锁紧垫片	Lock washer	1	
43	304.31.110-1	立轴挡圈	Blocking ring of upright shaft	1	
44	304.31.112-2	调整垫片	Adjusting shims	one set	1组每种各2片 Two pcs for each size
45	304.31.113-1	中间传动被动齿轮	Driven bevel gear of the first drive	1	
46	254G2.31A.103	立轴套管	Upright shaft housing	1	

23.2 前驱动桥总成（左边减速） Front Wheel Drive Axle (Left Side-Slowdown)

续表

Ser.No.	Part No.	名称及规格	Name & Specifications	Quantity	Remarks
47	GB/T1119.1-2000-A10×20	销 A10×20	Straight pin A10×20	1	
48	304.31.129-1	中间传动主动齿轮	Driving bevel gear of the first drive	1	
49	GB/T276-1994- 6208	轴承 6208	Ball bearing 6208	1	
50	254G2.31.106	半轴	Half shaft	1	
51	254D.31.120	左梯形臂	Left steering trapezoid arm	1	
52	450.31.024-1	拉杆接头总成(左)	Linkage ball joint (Left)	1	
53	GB/T6173-2000-M18×1.5	螺母 M18×1.5-左	Hex.thin nut M18×1.5-Left	1	
54	254G2.31A.110-1	横拉杆	Steering tie rod	1	
55	GB/T6173-2000-M18×1.5	螺母 M18×1.5	Hex.thin nut M18×1.5	1	
56	450.31.026-1	拉杆接头总成(右)	Linkage ball joint (Right)	1	
57	GB/T6181-1986-M14	螺母 M14	Hex. thin slotted nut M14	2	
58	GB/T91-2000- 3.2×22	销 3.2×22	Split pin 3.2×22	2	

23.3 前驱动桥总成(右边减速) Front Drive Axle (Right Side-Slowdown)



23.3 前驱动桥总成（右边减速） Front Wheel Drive Axle (Right side-Slowdown)

Ser.No.	Part No.	名称及规格	Name & Specifications	Quantity	Remarks
1	GB/T6176-2000-M18×1.5	螺母 M18×1.5	Hex. nut M18×1.5	2	
2	GB/T93-1987-18	垫圈 18	Spring lock washer 18	6	
3	304.31.179	螺柱	Double screw bolt	2	
4	GB/T5786-2000-M18×1.5×35	螺栓 M18×1.5×35	hex. head bolt M18×1.5×35	4	
5	304.31.101-2	驱动轴	Drive shaft	1	
6	HG4-692-67-W50×72×7	油封 W50×72×7	Oil-seal W50×72×7	2	
7	HG4-692-67-PD50×72×12	油封 PD50×72×12	Oil-seal PD50×72×12	2	
8	GB/T5783-2000-M10×30	螺栓 M10×30	Hex. head bolt M10×30	20	
9	GB/T93-1987-10	垫圈 10	Spring lock washer 10	26	
10	304.31.104-3	驱动轴盖	Drive shaft cover	1	
11	GB/T276-1994-6209	轴承 6209	Ball bearing 6209	1	
12	304.31.102-2	驱动轴固定圈	Fixing ring of drive shaft	2	
13	304.31.103-2	驱动轴垫圈	Drive shaft sleeve	1	
14	304.31.132-2	末减速被动齿轮	Driven bevel gear of final drive	1	
15	GB/T276-1994-6207	轴承 6207	Ball bearing 6207	1	
16	304.31.105-1	驱动轴盖垫片	Gasket for drive shaft cover	1	
17	304.31.216-4	右边减速壳体	Right final drive housing	1	
18	GB/T119.1-2000-A10×28	销 A10×28	Straight pin A10×28	2	
19	304.31.130	毛毡圈	Felt washer	1	
20	304.31.217-1	边减速壳体衬套	Final drive housing bushing	1	
21	GB/T301-1995- 51106	轴承 51106	Thrust ball bearing 51106	1	
22	304.31.131-2	末减速主动齿轮	Driving bevel gear of final drive	1	
23	304.31.140	隔套	Spacer	1	
24	304.31.107-3	立轴	Upright shaft	1	
25	GB/T276-1994- 6305	轴承 6305	Ball bearing 6305	1	

23.3 前驱动桥总成（右边减速） Front Wheel Drive Axle (Right side-Slowdown)

续表

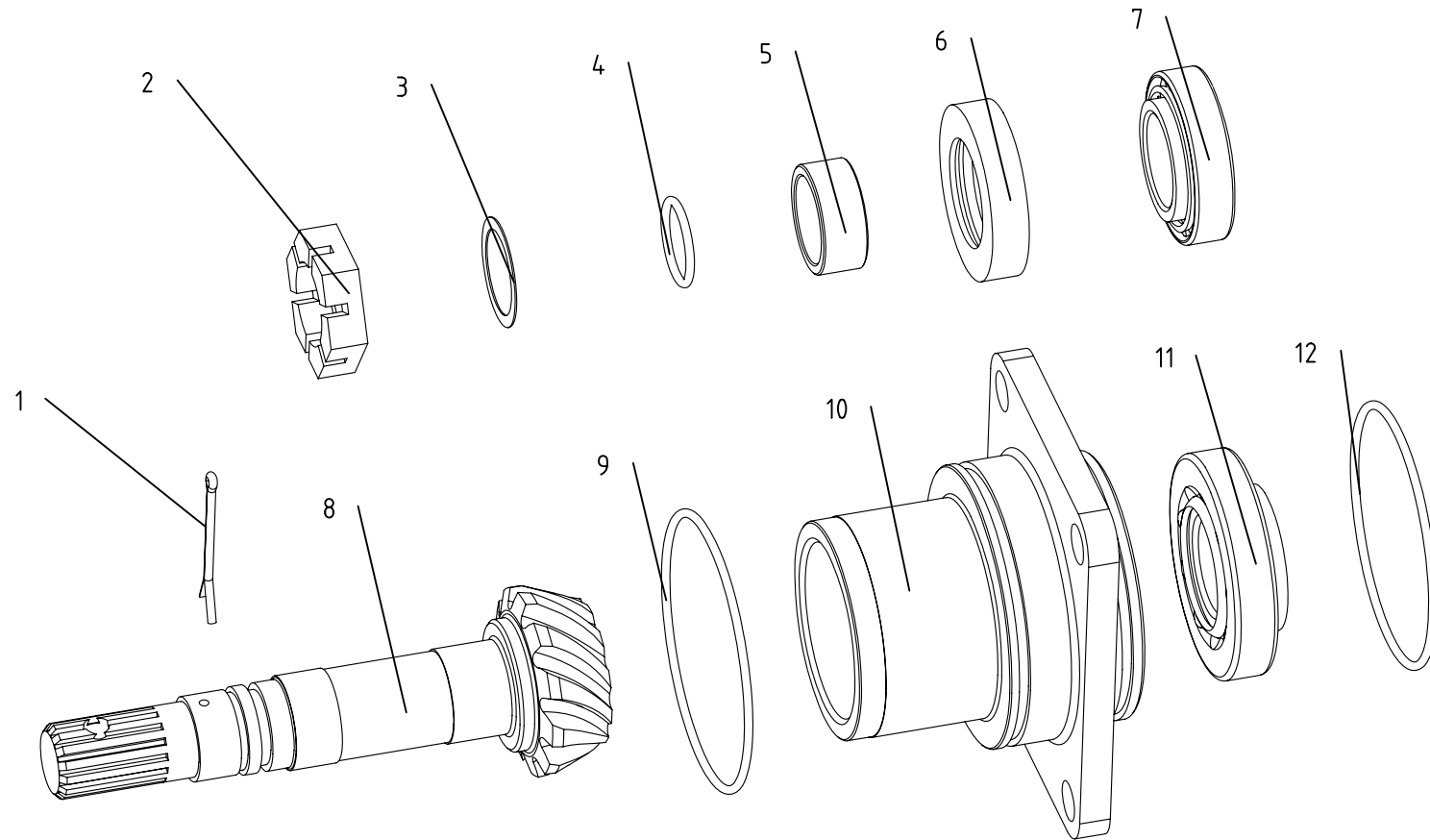
Ser.No.	Part No.	名称及规格	Name & Specifications	Quantity	Remarks
26	304.31.139	末端传动调整垫片	Adjusting shims for final drive	one set	1组每种各2片 Two pcs for each size
27	GB/T3452.1-1992-56×2.65	O形圈 56×2.65	O-ring seal 56×2.65	1	
28	304.31.137-2	下轴承盖	Lower bearing cover	1	
29	12.37.149	组合密封垫圈	Combined seal washer	1	
30	200.38.024	放油螺塞总成	Oil drain plug	1	
31	JB/T7940.1-1995-M10×1	油杯 M10×1	Grease cup M10×1	1	
32	304.31.215-3	右联接臂	Right linking arm	1	
33	304.31.202-1	联接转向臂衬套	Steering arm bushing	1	
34	GB/T5783-2000-M12×35	螺栓 M12×35	Hex. head bolt M12×35	4	
35	GB/T93-1987-12	垫圈 12	Spring lock washer 12	4	
36	GB/T5783-2000-M10×25	螺栓 M10×25	Hex. head bolt M10×25	7	
37	GB/T3452.1-1992-34.5×2.65	O型圈 34.5×2.65	O-ring seal 34.5×2.65	1	
38	304.31.111-3	上轴承盖	Upper bearing cover	1	
39	GB/T3452.1-1992-85×2.65	O形圈 85×2.65	O-ring seal 85×2.65	1	
40	304.31.133	中间传动调整垫片	Adjusting shims for the first drive	one set	1组每种各2片 Two pcs for each size
41	GB/T276-1994-6011	轴承 6011	Ball bearing 6011	1	
42	304.31.138	锁紧垫片	Lock washer	1	
43	304.31.110-1	立轴挡圈	Blocking ring of upright shaft	1	
44	304.31.112-2	调整垫片	Adjusting shims	one set	1组每种各2片 Two pcs for each size
45	304.31.113-1	中间传动被动齿轮	Driven bevel gear of the first drive	1	
46	254G2.31A.103	立轴套管	Upright shaft housing	1	

23.3 前驱动桥总成（右边减速） Front Wheel Drive Axle (Right side-Slowdown)

续表

Ser.No.	Part No.	名称及规格	Name & Specifications	Quantity	Remarks
47	304.31.129-1	中间传动主动齿轮	Driving bevel gear of the first drive	1	
48	GB/T276-1992-6208	轴承 6208	Ball bearing 6208	1	
49	254G2.31.106	半轴	Half shaft	1	
50	254D.31.121	右梯形臂	Right steering trapezoid arm	1	
51	GB/T119.1-2000-A10×28	销 A10×20	Straight pin A10×20	2	
	254G2.31A.001	前驱动桥总成	Front wheel drive axle assembly	1	Middle+left+right side-slow down

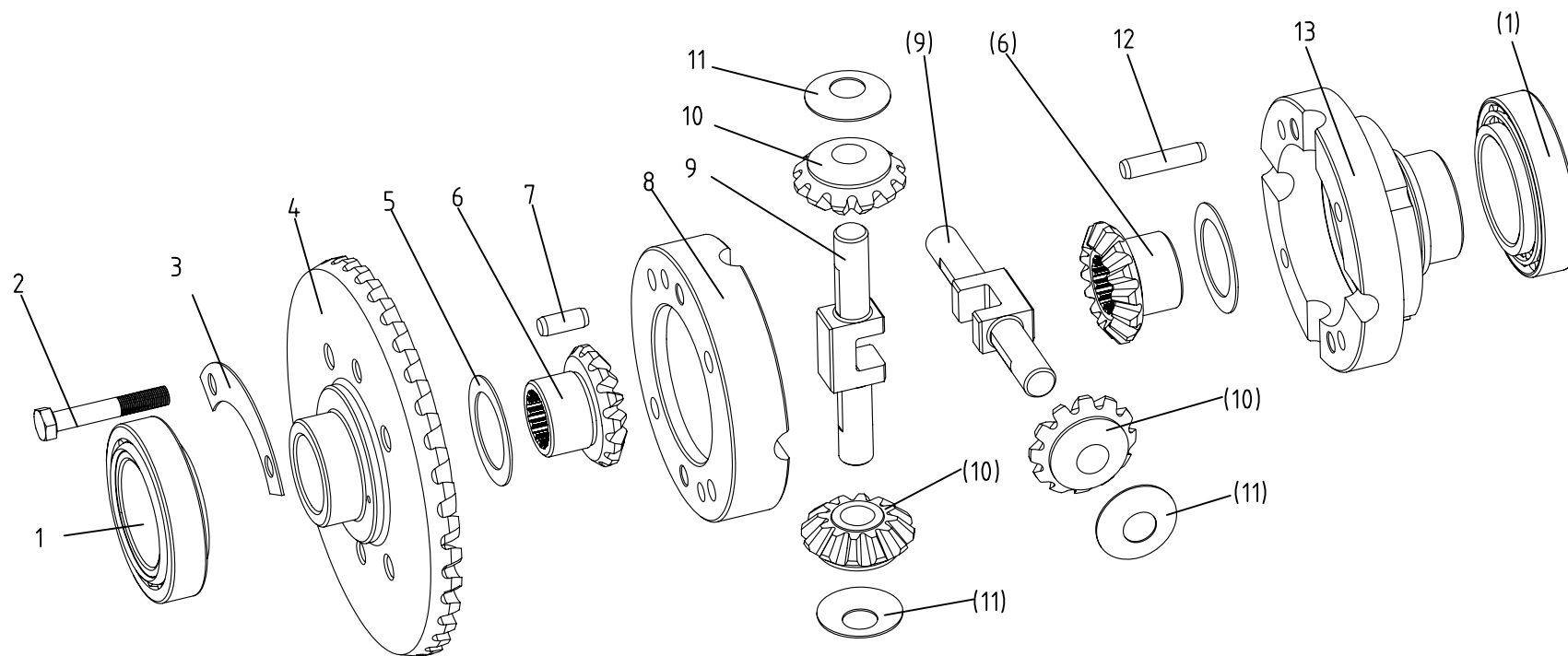
23.4 前驱动桥总成 (304.31.022-1 部件) Front Drive Axle (304.31.022-1 Assembly)



23.4 前驱动桥总成（304.31.022-1部件） Front Wheel Drive Axle (304.31.022-1 Assembly)

Ser.No.	Part No.	名称及规格	Name & Specifications	Quantity	Remarks
1	GB/T91-2000-3.2×50	销 3.2×50	Split pin 3.2×50	1	
2	304.31.223-1	槽形螺母	Castle nut	1	
3	304.31.224-1	调整垫片	Adjusting shims	one set	1组每种各1片 one pcs for each size
4	GB/T3452.1-1992-23.6×2.65	O形圈 23.6×2.65	O-ring seal 23.6×2.65	1	
5	304.31.225-1	主动锥齿轮油封座圈	Oil-seal seat	1	
6	HG4-692-67- SD35×56×12	油封 SD35×56×12	Oil-seal SD35×56×12	1	
7	GB/T297-1994-32006	轴承 32006	Taper roller bearing 32006	1	
8	304.31.227	主动圆锥齿轮	Bevel drive pinion	1	
9	GB/T3452.1-1992-85×2.65	O形圈 85×2.65	O-ring seal 85×2.65	1	
10	304.31.226	主动锥齿轮轴承座	Bearing seat	1	
11	GB/T297-1994-31306	轴承 31306	Taper roller bearing 31306	1	
12	GB/T3452.1-1992-80×2.65	O形圈 80×2.65	O-ring seal 80×2.65	1	
	304.31.022-1	主动锥齿轮总成	Bevel drive pinion assembly	1	No. 1-12

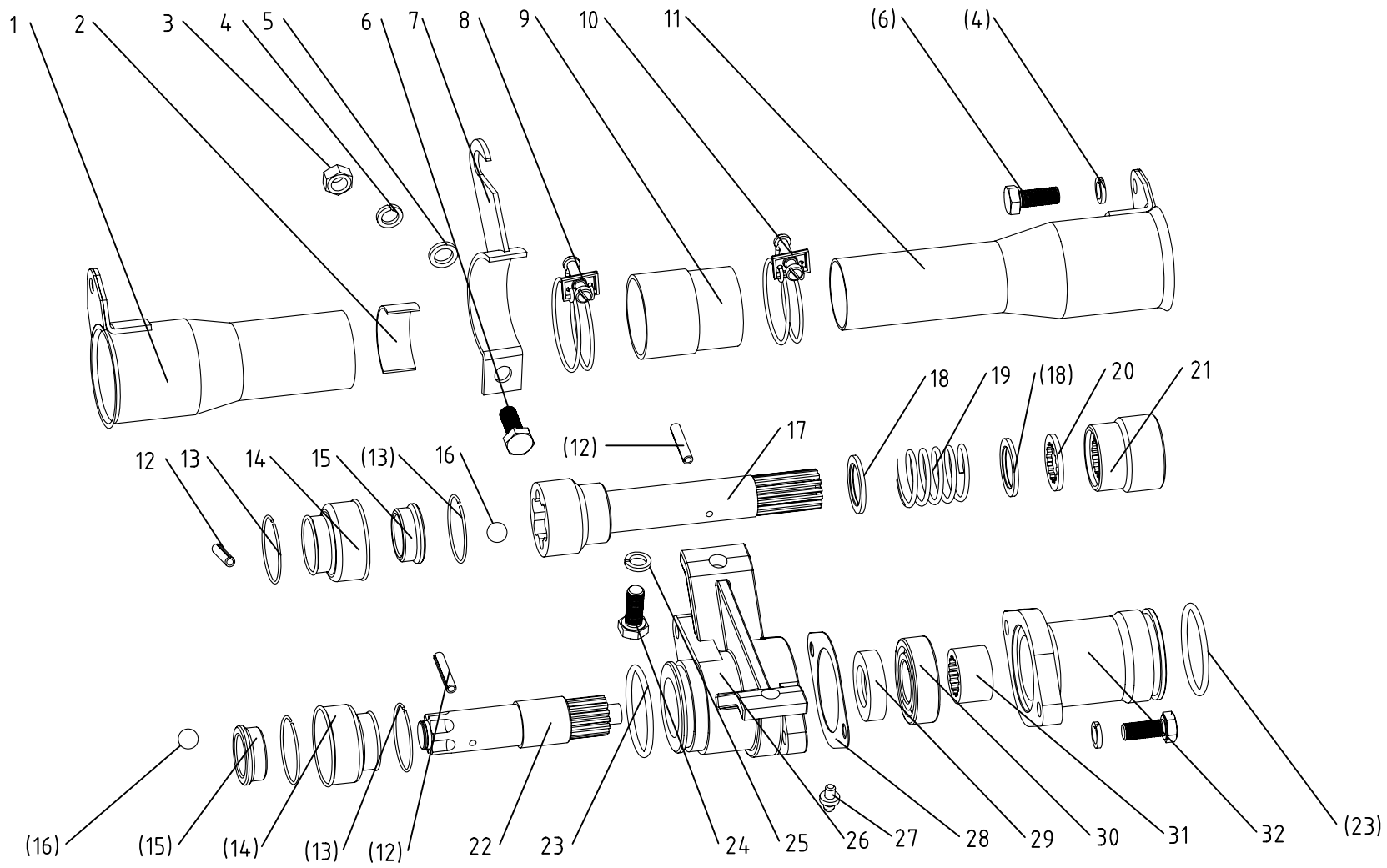
23.5 前驱动桥总成(304.31.014A部件)
Front Drive Wheel Axle(304.31.014Assembly)



23.5 前驱动桥总成（304.31.014A部件） Front Wheel Drive Axle (304.31.014A Assembly)

Ser.No.	Part No.	名称及规格	Name & Specifications	Quantity	Remarks
1	GB/T297-1994-32009	轴承 32009	Taper roller bearing 32009	2	
2	GB/T5782-2000- M8×50	螺栓 M8×50	Hex. head bolt M8×50	4	
3	304.31.206	被动圆锥齿轮锁紧片	Lock washer for crown gear	2	
4	304.31.207	被动圆锥齿轮	Crown gear	1	
5	304.31.210A-1	半轴齿轮垫圈	Half shaft gear washer	4	
6	304.31.211A	差速器半轴齿轮	Half shaft gear	2	
7	GB/T119.1-2000- A8×20	销 A8×20	Straight pin A8×20	2	
8	304.31.235-1	左差速器壳体	Left differential housing	1	
9	304.31.208A	行星齿轮轴	Planet gear shaft	2	
10	304.31.205A	差速器行星齿轮	Planet gear	2	
11	304.31.209A-1	行星齿轮垫圈	Planet gear washer	4	
12	GB/T119.1-2000- A8×35	销 A8×35	Straight pin A8×35	2	
13	304.31.236-1	右差速器壳体	Right differential housing	1	
	304.31.014A	差速器总成	Differential assembly	1	No. 1-13

24 传动轴总成 Transmission shaft



24 传动轴总成 Transmission shaft

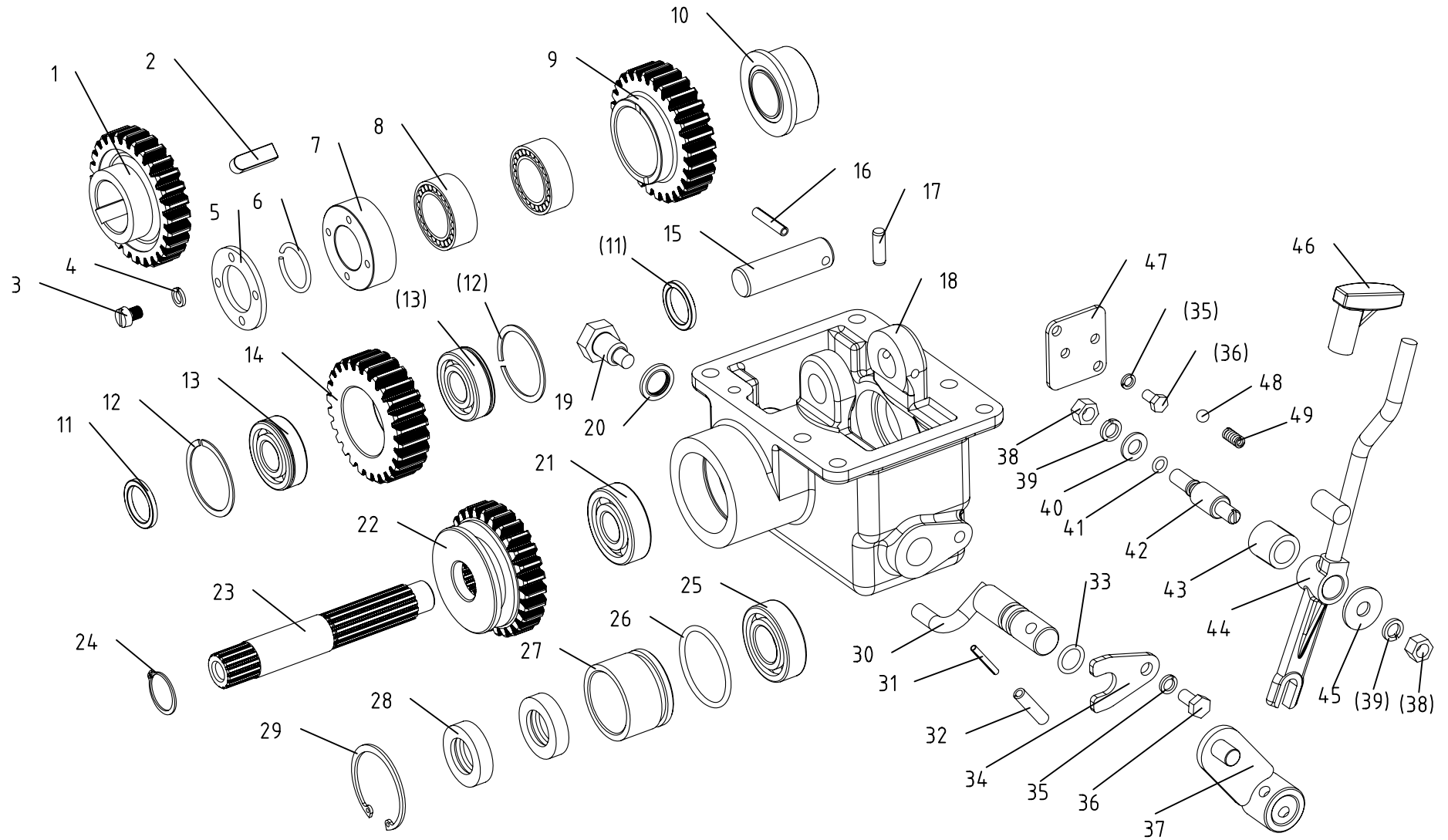
Ser.No.	Part No.	名称及规格	Name & Specifications	Quantity	Remarks
1	304.36.012	前套管焊合件	Front housing	1	
2	304.36.114	橡胶垫	Rubber pad	1	
3	GB/T6170-2000-M8	螺母 M8	Hex. nut M8	1	
4	GB/T93-1987-8	垫圈 8	Spring lock washer 8	3	
5	GB/T97.1-2002-8	垫圈 8	Flat washer 8	1	
6	GB/T5783-2000-M8×25	螺栓 M8×25	Hex. head bolt M8×25	3	
7	304.36.013-1	固定架焊合件	Fixing bracket	2	
8	304.36.014	环箍 φ53总成	Hoop φ53	1	
9	304.36.103	密封套	Seal sleeve	1	
10	304.36.015	环箍 φ48总成	Hoop φ48	1	
11	304.36.016	后套管焊合件	Rear housing	1	
12	GB/T879.1-2000- 4×30	销 4×30	Slotted spring pin 4×30	2	
13	GB/T3081-1982-I-1.4	热镀锌钢丝I-1.4	Steel wire I-1.4	need	
14	304.36.108	橡胶护罩	Rubber cover	2	
15	304.36.101	支承套	Support sleeve	2	
16	GB/T308-2002-9	钢球 9	Steel ball 9	12	
17	304-6.36.011	前球形连接套焊合件	Transmission shaft	1	
18	304.36.104	挡圈（二）	Blocking ring (2)	2	
19	304.36.105-1	弹簧	Spring	1	
20	304.36.106	密封挡圈	Seal blocking ring	1	
21	304.36.107	后球形连接套	Rear connecting-sleeve	1	
22	304A .36.107	后中轴	Rear mid-shaft	1	
23	GB/T3452.1-1992-48.7×3.55	O型圈 48.7×3.55	O-ring seal 48.7×3.55	2	
24	GB/T5783-2000-M10×25	螺栓 M10×25	Hex. head bolt M10×25	2	
25	GB/T93-1987-10	垫圈 10	Spring lock washer 10	2	

24 传动轴总成 Transmission shaft

续表

Ser.No.	Part No.	名称及规格	Name & Specifications	Quantity	Remarks
26	304.36.109	中轴座	Mid-shaft seat	1	
27	GB/T1152-1995- M10×1	油杯 M10×1	Grease cup M10×1	1	
28	304.36.110	纸垫	Paper gasket	1	
29	HG4-692-67-PG25×42×10	油封 PG25×42×10	Oil seal PG25×42×10	1	
30	GB/T276-1994-60205	轴承 60205	Ball bearing with shields 60205	1	
31	304.36.113	接合套	Connecting sleeve	1	
32	304A.36.106	中轴套管	Mid-shaft housing	1	

25 分动箱总成 Transfer case



25 分动箱总成 Transfer case

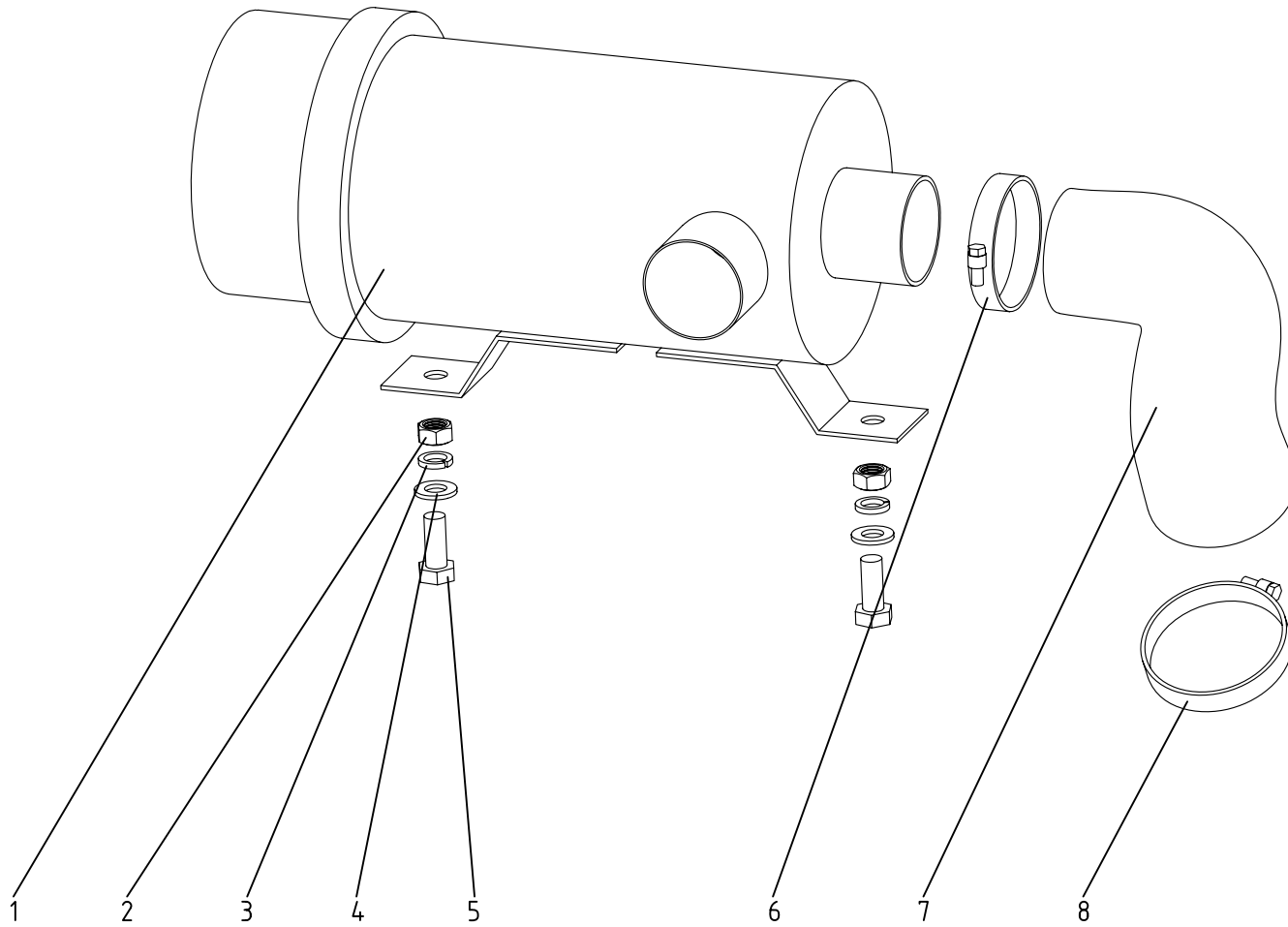
Ser.No.	Part No.	名称及规格	Name & Specifications	Quantity	Remarks
1	304.42.101	中央传动分动齿轮	Power Transfer gear	1	
2	GB/T1096-2003- C10×32	键 C10×32	Flat key C10×32	1	
3	GB/T5783-2000-M5×16	螺栓 M5×16	Hex. head bolt M5×16	4	
4	GB/T93-1987-5	垫圈 5	Spring lock washer 5	4	
5	304.42.133-1	限位板	Locating plate	1	
6	GB/T895.2-1986-30	挡圈 30	Circlip for shaft 30	1	
7	304.42.104-1	前隔套	Front spacer	1	
8	GB/T5801-1986- 4524906	轴承 4524906	Needle bearing 4524906	2	
9	304.42.105	分动上过轮	Upper idler	1	
10	304.42.103	后隔套	Rear spacer	1	
11	304.42.116	隔圈	Spacer	2	
12	GB/T305-1998-52/57.9	止动环 52/57.9	Locating snap ring 52/57.9	2	
13	GB/T276-1994-6205N	轴承 6205N	Ball bearing 6205N	2	
14	304.42.117	分动下过轮	Lower idler	1	
15	304.42.118	小轴	Lower idler shaft	1	
16	GB/T879.4-2000- 6×50	销 6×50	Slotted spring pin 6×50	1	
17	GB/T119.1-2000-A8×30	销 A8×30	Straight pin A8×30	2	
18	304.42.109-1	分动箱体	Transfer case housing	1	
19	200.38.024	放油螺塞总成	Oil drain plug	1	
20	12.37.149	组合密封垫圈	Combined seal washer	1	
21	GB/T276-1994-6304	轴承 6304	Ball bearing 6304	1	
22	304.42.106-1	分动箱齿轮	Sliding gear	1	
23	304.42.107	分动箱轴	Transfer case shaft	1	
24	GB/T894.1-1986-24	挡圈 24	Circlip for shaft 24	1	
25	GB/T276-1994-6205	轴承 6205	Ball bearing 6205	1	

25 分动箱总成 Transfer case

续表

Ser.No.	Part No.	名称及规格	Name & Specifications	Quantity	Remarks
26	GB/T3452.1-1992- 45×3.55	O形圈 45×3.55	O-ring seal 45×3.55	1	
27	304.42.108	油封座	Oil seal seat	1	
28	HG4-692-67-PG25×42×10	油封 PG25×42×10	Oil seal PG25×42×10	2	
29	GB/T893.1-1986-55	挡圈 55	Circlip for hole 55	1	
30	304.42.012-1	拨杆焊合件	Shifter peg	1	
31	GB/T879.4-2000- 5×32	销 5×32	Slotted spring pin 5×32	1	
32	GB/T879.4-2000-8×32	销 8×32	Slotted spring pin 8×32	1	
33	GB/T3452.1-1992- 15×2.65	O形圈 15×2.65	O-ring seal 15×2.65	1	
34	304.42.111	定位板	Locating plate	1	
35	254D.42.013-1	摇臂焊合件	Rocker arm	1	
36	GB/T93-1987-8	垫圈 8	Spring lock washer 8	3	
37	GB/T5783-2000-M8×16	螺栓 M8×16	Hex. head bolt M8×16	3	
38	GB/T6170-2000-M12	螺母 M12	Hex. nut M12	2	
39	GB/T93-1987-12	垫圈 12	Spring lock washer 12	2	
40	GB/T97.1-2002-12	垫圈 12	Plain washer 12	1	
41	GB/T3452.1-1992-9×2.65	O形圈 9×2.65	O-ring seal 9×2.65	1	
42	254D.42.134	支承轴	Pivot shaft	1	
43	254D.42.133	隔套	Spacer	1	
44	304A-11.42.011	操纵杆焊合件	Control lever	1	
45	GB/T96-2002-12	垫圈 12	Plain washer 12	1	
46	304.42.134-2	分动箱操纵杆手柄	Transfer control handle	1	
47	304.42.115-1	垫板	Positioning plate	1	
48	GB/T308-2002-10	钢球 10	Steel ball 10	1	
49	304.42.114	弹簧	Spring	1	

26 空滤器总成
Air Filter

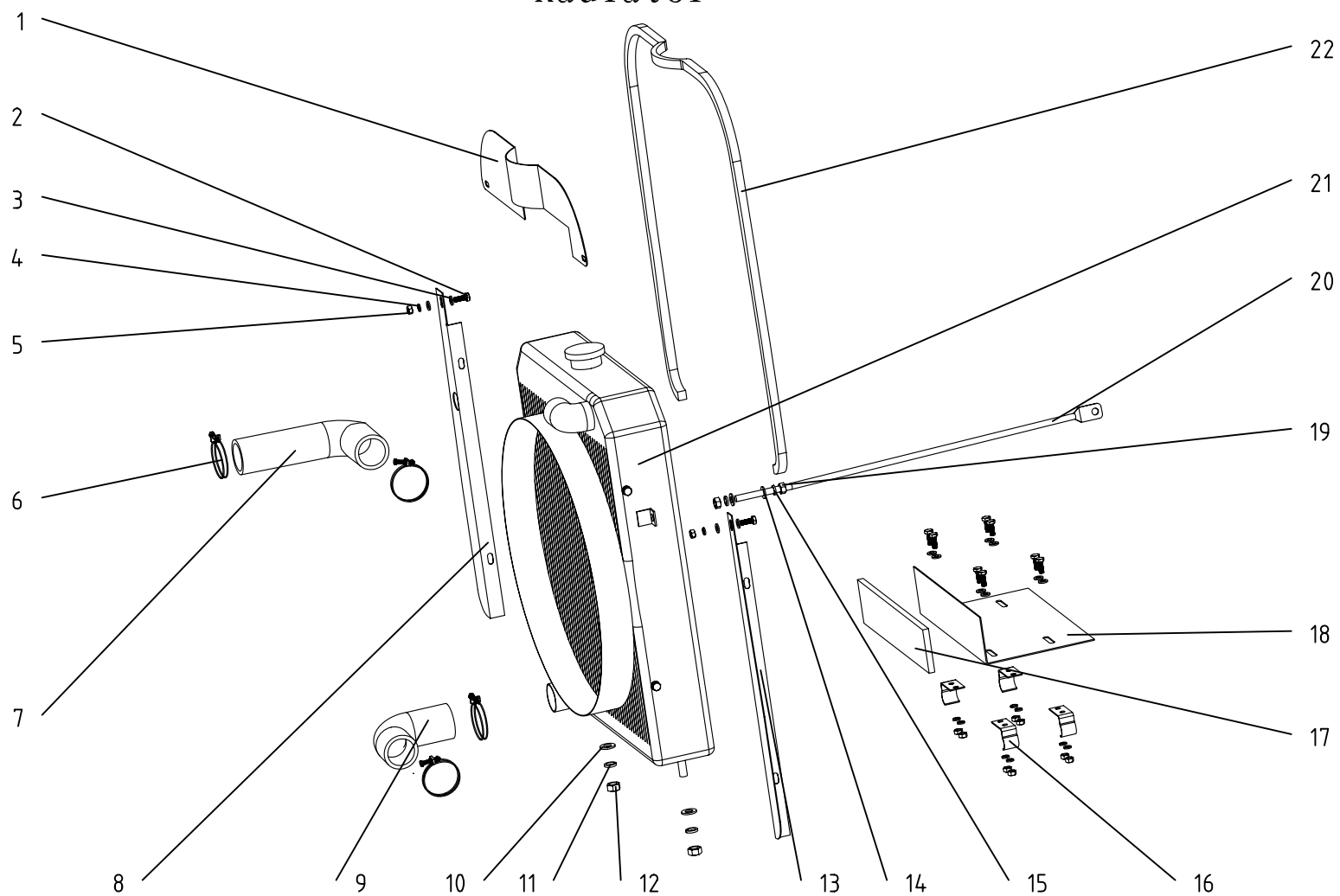


26 空滤器总成

Air Filter

Ser.No.	Part No.	名称及规格	Name & Specifications	Quantity	Remarks
1	404G2-6E.10.101	空气滤清器	Air Filter assy	1	
2	GB/T 6170-2000-M10	螺母M10	Hex .nut M10	2	
3	GB/T 93-1987-10	垫圈10	Spring Lock washer10	2	
4	GB/T 97.1-2002-10	垫圈10	Plain washer 10	2	
5	GB/T 5783-2000-M10×25	螺栓M10x25	Hex.head bolt M10×25	2	
6	JB/T 8870-1999- (51-70)	喉箍 (51-70)	Clip (51-70)	1	
7	404G2-6E.10.102	进气管	Air pipe	1	
8	JB/T 8870-1999- (64-76)	喉箍(64-76)	Clip(64-76)	1	
	KW1025	干式空气滤芯	Air Filter	1	

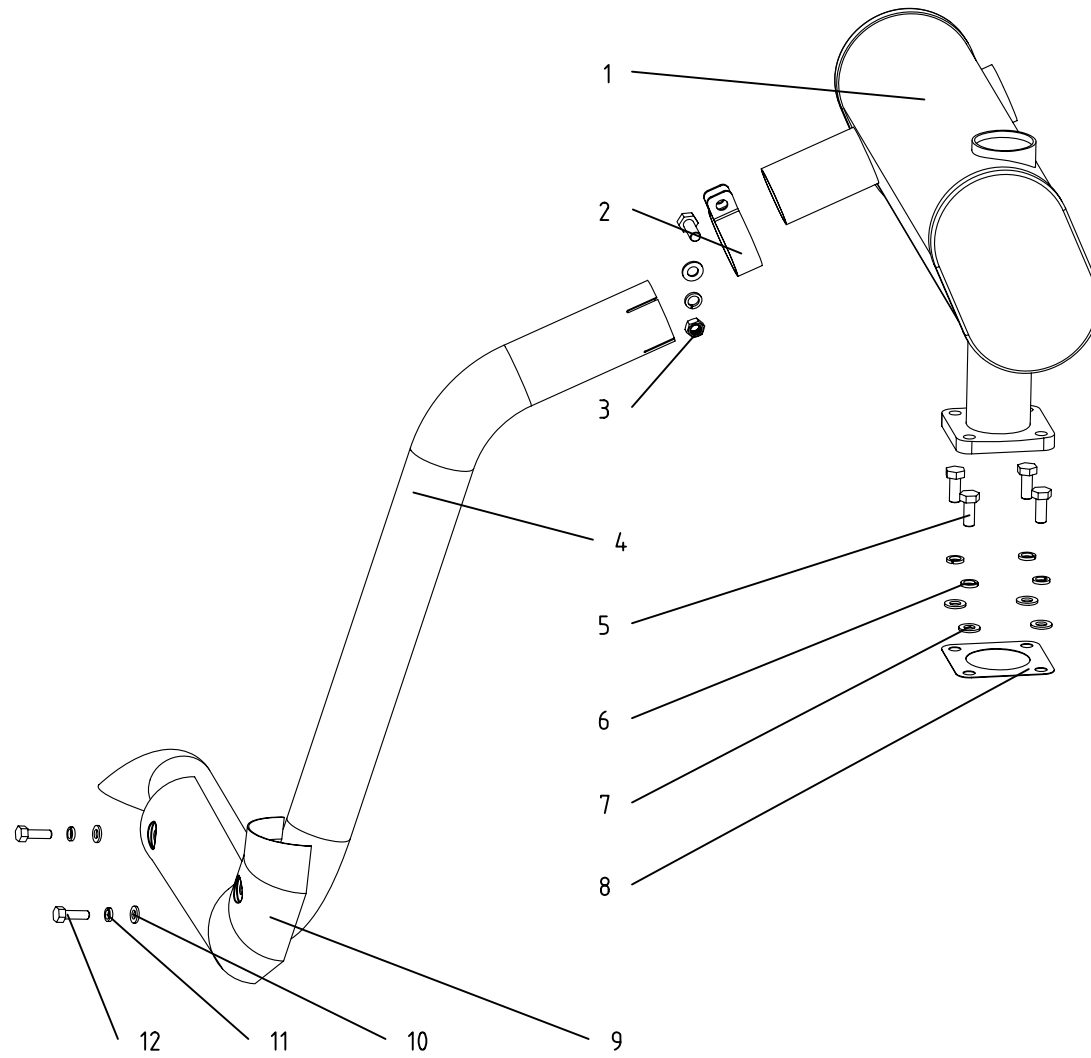
27 散热器总成 Radiator



27 散热器总成 Radiator

Ser.No.	Part No.	名称及规格	Name & Specifications	Quantity	Remarks
1	304G2-6E.13.107	水箱上隔风板	Up insulation board, radiator	1	
2	GB/T5783-2000-M6×16	螺栓 M6×16	Hex.head bolt M6×16	10	
3	GB/T96.1-2002-6	垫圈 6	Plain washer 6	12	
4	GB/T93-1987-6	垫圈 6	Spring lock washer 6	10	
5	GB/T6170-2000-M6	螺母 M6	Hex. nut M10	10	
6	JB/T8870-1999-(35-51)	喉箍 (35-51)	Hose clamp 2A (35-51)	4	
7	304G2-6E.13.101	上输水管	Upper water hose	1	
8	304G2-6E.13.109	水箱左隔风板	Left insulation board, radiator	1	
9	304G2-6E.13.104	下输水管	Lower water pipe hose	1	
10	GB/T97.1-2002-10	垫圈 10	Plain washer 10	2	
11	GB/T93-1987-10	垫圈 10	Spring lock washer 10	2	
12	GB/T6170-2000-M10	螺母 M10	Hex. nut M10	2	
13	304G2-6E.13.106	水箱右隔风板	Right insulation board, radiator	1	
14	GB/T97.1-2002	垫圈 8	Plain washer 8	2	
15	GB/T93-1987	垫圈 8	Spring lock washer 8	2	
16	304G2-6E.13.105	弹簧片	Spring piece	4	
17	304G2-6E.13.103	橡胶板	rubber pad	1	
18	304G2-6E.13.108	水箱下挡风板	Down shield board, radiator	1	
19	GB/T6170-2000	螺母 M8	Hex. nut M8	2	
20	304G2-6E.13.102	水箱撑杆	Supporting rod, radiator	1	
21	304G2-6E.13.011	散热器部件	Radiator	1	
22	550-1.51.101	密封条	Airproof piece	按需	

28 排气管总成
Exhaust pipe

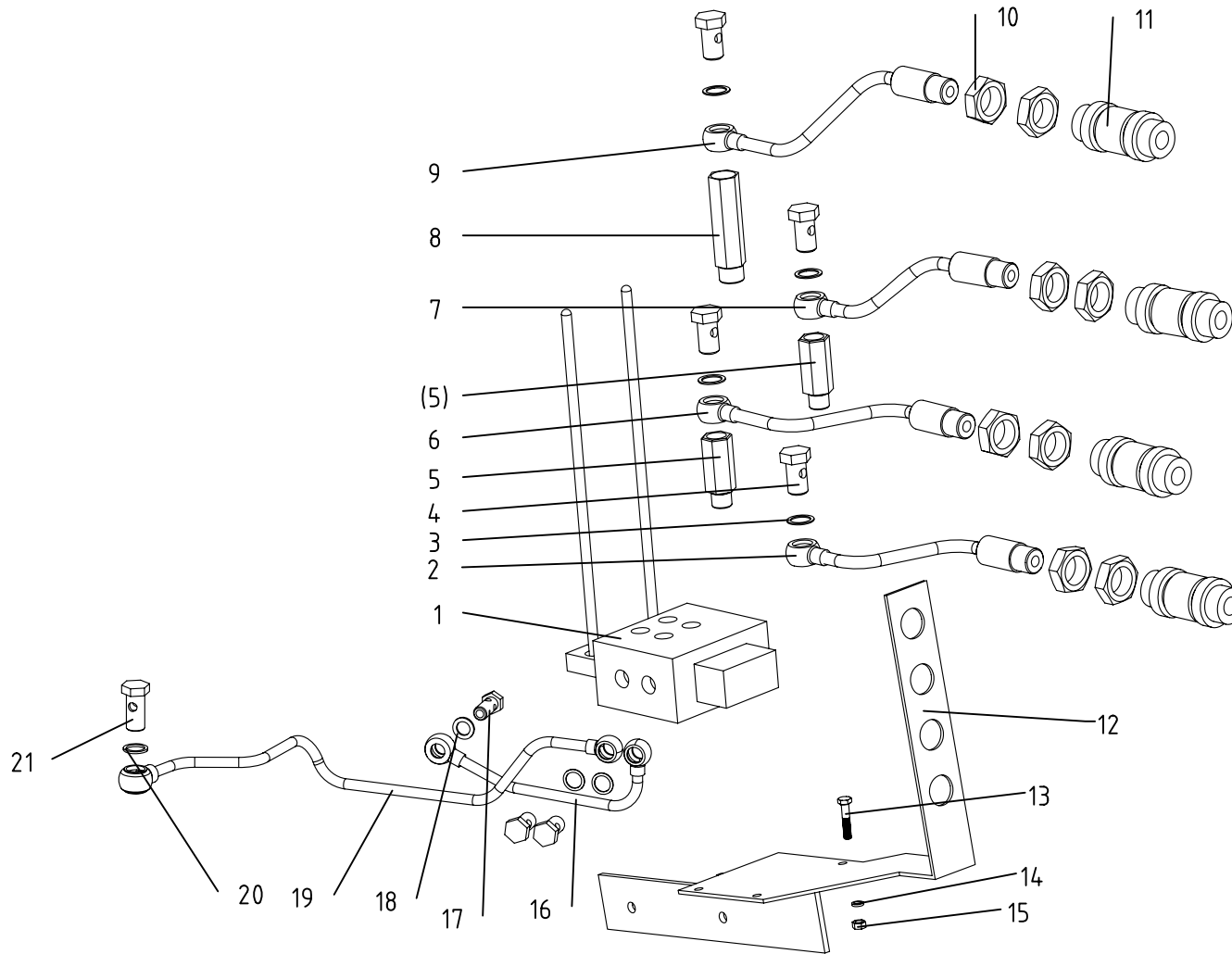


28 排气管总成

Exhaust pipe

Ser.No.	Part No.	名称及规格	Name & Specifications	Quantity	Remarks
1	304G2-6E.22.011	消声器合件	Dissipative muffler	1	
2	304G2-6E.22.101	抱箍	Clip	1	
3	GB/T6170-2000-M8	螺母M8	Hex .nut M8	1	
4	304G2-6E.22.012	排气弯管焊合件	Exhaust pipe	1	
5	GB/T5783-2000-M8×25	螺栓M8×25	Hex.head bolt M8×25	5	
6	GB/T93-1987-8	垫圈8	Spring Lock washer 8	5	
7	GB/T97.1-2002-8	垫圈8	Plain washer 8	5	
8	304G2-6E.22.102	排气管纸垫	Paper gasket	1	
9	304G2-6E.22.103	排气弯管护罩	Exhaust pipe cover	1	
10	GB/T97.1-2002-6	垫圈6	Plain washer 6	2	
11	GB/T93-1987-6	垫圈6	Spring Lock washer 6	2	
12	GB/T5783-2000-M6×12	螺栓M6×12	Hex.head bolt M6×12	2	

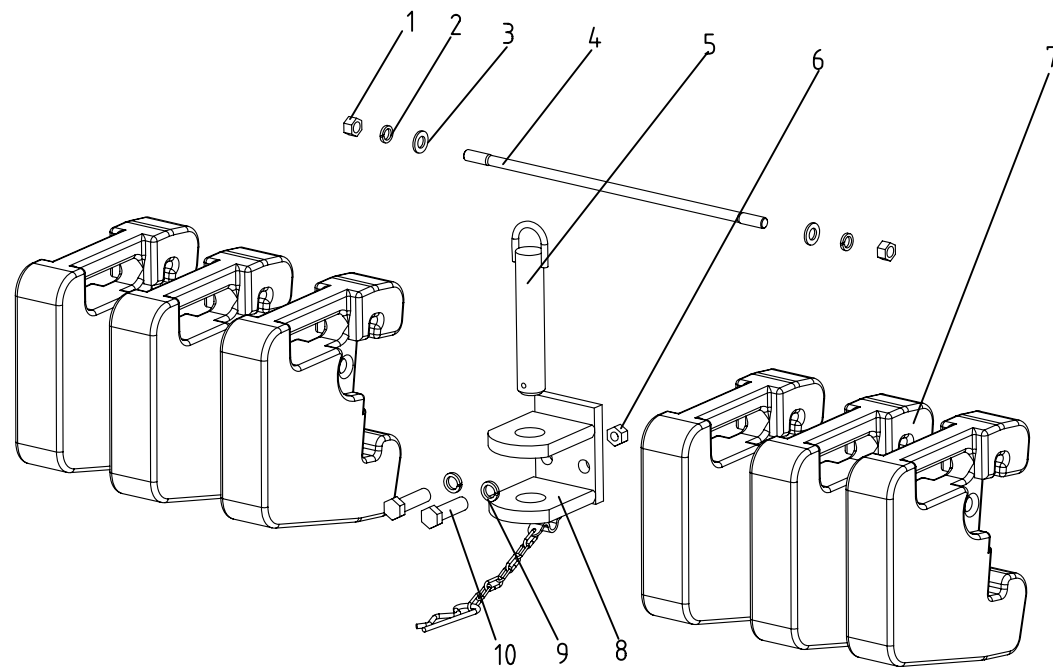
29 多路阀液压输出系统总成 Sandwich Multiole Control Valve



29 多路阀液压输出系统总成 Sandwich Multiole Control Valve

Ser.No.	Part No.	名称及规格	Name & Specifications	Quantity	Remarks
1	ZD-L10E-W-00-1	多路换向阀	Sandwich Multiole Control Val	1	
2	304G2-6.61.025	多路阀出油管焊合件 (二)	Out-let pipe (2)	1	
3	354.61.102	垫圈	Spring washer	15	
4	354.61.101	铰接螺栓	Hex. head bolt	6	
5	254-1.61.101	多路阀吸油管接头	Inlet pipe connect	2	
6	304G2-6.61.023	多路阀吸油管焊合件 (二)	Inlet pipe (2)	1	
7	304G2-6.61.021	多路阀出油管焊合件 (一)	Out-let pipe (1)	1	
8	304G2-6.61.118	多路阀吸油管接头	Inlet pipe connect	1	
9	304G2-6.61.019	多路阀吸油管焊合件 (一)	Inlet pipe (1)	1	
10	GB/T6173-2000-M24×2	螺母M24×2	Hex. nut M24×2	8	
11		快换接头NPT 1/2"	Quick change NPT1/2"	4	
12	304-6E.61.011	连接板焊合件	Connecting plant weldment	1	
13	GB/T5782-2000-M6×55	螺栓 M6×55	Hex. head bolt M6×55	3	
14	GB/T93-1987-6	垫圈6	Spring washer 6	3	
15	GB/T6170-2000-M6	螺母 M6	Hex. nut M6	3	
16	254-1.61.013-1	分配器进油管焊合件	Distributor inlet pipe	1	
17	200.55.124	空心螺栓	Hollow bolt	2	
18	JB/T6013-2000-14	垫圈14	Washer 14	2	
19	254-1.61.015-1	多路阀回油管焊合件	Return pipe weldment	1	
20	JB/T6013-2000-18	垫圈18	Washer 18	2	
21	250D.58.118	铰接螺栓 M18×1.5	Hex. head bolt M18×1.5	1	

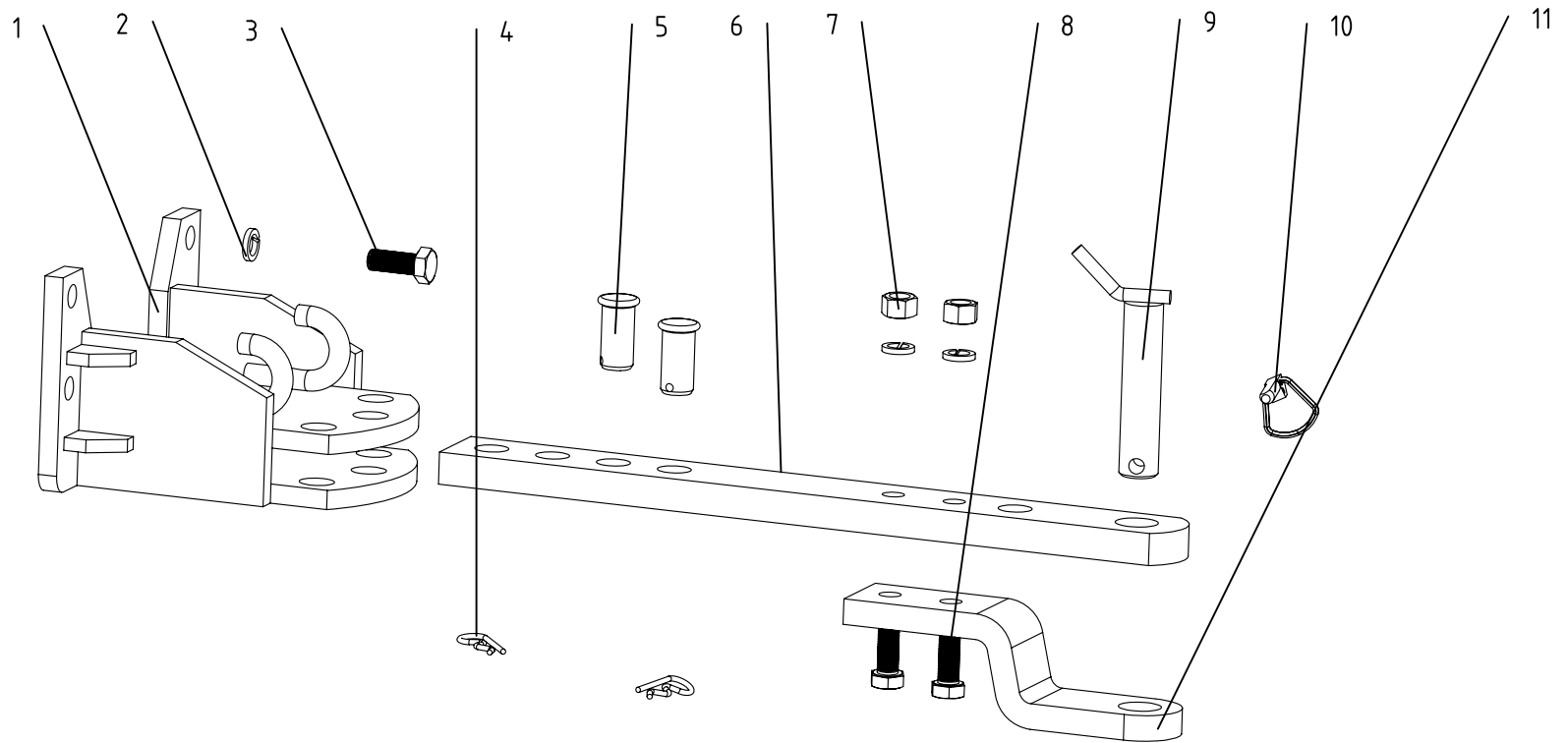
30 前配重总成 Front Balance Weight



30 前配重总成 Front Balance Weight

Ser.No.	Part No.	名称及规格	Name & Specifications	Quantity	Remarks
1	GB/T6170-2000-M12	螺母M12	Hex.nut M12	2	
2	GB/T93-1987-12	垫圈12	Spring lock washer 12	2	
3	GB/T97.1-2002-12	垫圈12	Plain washer 12	2	
4	GB/T953-1988-M12×480	等长双头螺柱M12×480	Clamping-type double stud M12×480	1	
5	300-6.73.012	插销焊合件	Bolt weldment	1	
6	GB/T6170-2000-M14	螺母M14	Hex.nut M14	2	
7	250.73.101	配重	Balance weight block	6	
8	300-6.73.011-1	牵引板焊合件	Front drawbar weldment	1	
9	GB/T93-1987-14	垫圈14	Spring lock washer 14	2	
10	GB/T5783-2000-M14×45	螺栓M14×45	Hex.bolt M14×45	2	

31 摆杆式牵引装置总成 Tractor Drawbar



31 摆式牵引装置总成 Tractor Drawbar

Ser.No.	Part No.	名称及规格	Name & Specifications	Quantity	Remarks
1	280.53A.012-1	摆杆式牵引焊合件	Swing Drawbar Frame	1	
2	GB/T93-1987-16	垫圈 16	Spring lock washer 16	6	
3	GB/T5783-2000-M16×40	螺栓 M16×40	Hex. head bolt M16×40	4	
4	300.53.102	牵引 R销	R-pin	2	
5	300.53.109	牵引销	Hitch pin	2	
6	300.53A.103	牵引板	Drawbar plate	1	
7	GB/T6170-2000-M16	螺母 M16	Hex. nut M16	2	
8	GB/T5782-2000-M16×65	螺栓 M16×65	Hex. head bolt M16×65	2	
9	300.53.011	销轴焊合件	Spindle	1	
10	200.56.011	锁销组合件	Lock pin	1	
11	300.53.104-1	牵引卡	Drawbar clamping plate	1	
	280.53A.001	摆式牵引装置总成	Swing Drawbar assembly	1	No.1-11

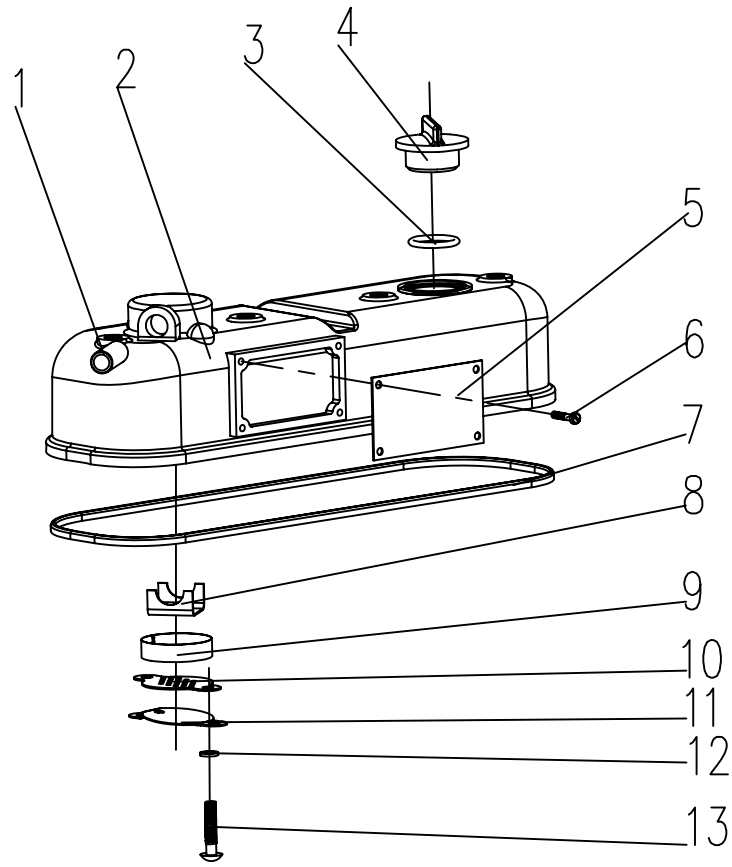


图1 气缸盖罩总成

Fig.1 Cylinder head cover assembly

1. 气缸盖罩总成 Cylinder Head Cover Assembly (Fig. 1)

Ser.No.	Part No.	名称及规格	Name & Specifications	Quantity	Remarks
1	N85-01004	抽气管	Breather tube	1	
2	ZN390TE-01003	气缸盖罩	Cylinder head cover	1	
3	GB/T3452.1-2005-33.5×2.65	O型密封圈	Seal ring 33.5×2.65	1	
4	N85-01002	加油口盖	Oil filling cover	1	
5	ZN390TE-01018(H)	EC排放标签	EC Emission label	1	
6	GB/T65-2000-M4×6	螺钉	Bolt M4×6	4	
7	N385-01001	气缸盖罩密封圈	Cylinder head cover seal ring	1	
8	N85-01005	挡架	Retainer	1	
9	N85-01008	铁丝滤网	Steel wool screen	1	
10	N85-01007	多孔挡板	Multi-hole retaining plate	1	
11	N85-01006	挡油板	Oil retainer	1	
12	GB/T859-1987-6	垫圈	Washer 6	2	
13	GB/T65-2000-M6×12	螺钉	Screw M6×12	2	

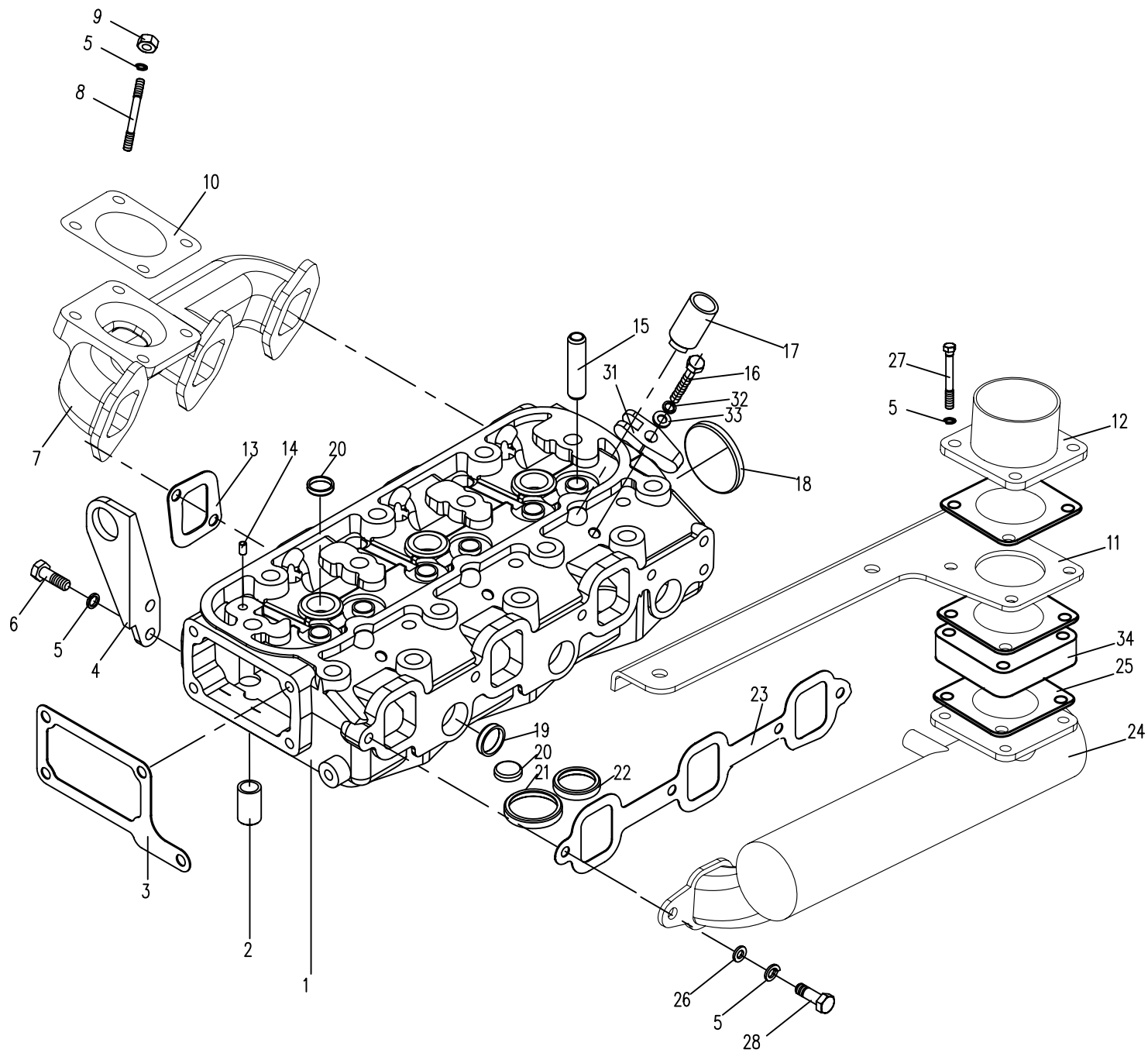


图2 气缸盖总成

Fig.2 Cylinder head assembly

2. 气缸盖总成 Cylinder Head Assembly (Fig. 2)

Ser.No.	Part No.	名称及规格	Name & Specifications	Quantity	Remarks
1	ZN390TE-02108	气缸盖	Cylinder head	1	
2	N85-02101A	套管	Sleeve	3	
3	N485T-08017	水泵联接板垫片	Water pump adapter gasket	1	
4	N85-02004	吊耳	Lifting eye	2	
5	GB/T859-1987-8	垫圈	Washer 8	36	
6	GB/T5783-2000-M8×20	螺栓	Bolt M8×20	4	
7	ZN390T-10001 (D)	排气管	Exhaust manifold	1	
8	GB/T899-1988-M8×75	双头螺柱	Stud M8×75	6	
9	GB/T6170-2000-M8	螺母	Nut M8	16	
10	N485Q-10002 (H)	垫片	Gasket	1	
11	N485Q-09012 (B)	安装板		1	
12	N485Q-09002M	进气接管	Intake joint pipe	1	
13	N85-02006	排气管垫片	Exhaust manifold gasket	3	
14	N485QA-02110	套管	Sleeve	1	
15	N85-02105	气门导管	Valve guide	6	
16	GB/T5782-2000-M10×55	螺栓	Bolt M10×55	3	
17	4L68-021005	喷油器镶套	Injector insert	3	
18	N85-02104	碗形塞	Expansion plug $\Phi 55$	1	
19	N485-02109	碗形塞	Expansion plug $\Phi 26$	3	
20	N485-02102	碗形塞	Expansion plug $\Phi 20$	6	
21	ZN390TE-02106	排气门座	Exhaust valve seat	3	
22	ZN390TE-02107	进气门座	Intake valve seat	3	
23	ZN390T-02005	进气管垫片	Intake manifold gasket	1	
24	ZN390TE-09001 (C)	进气管	Intake manifold	1	
25	N485-09006	垫片	Gasket	4	

2. 气缸盖总成 Cylinder Head Assembly(Fig. 2)

续表

Ser.No.	Part No.	名称及规格	Name & Specifications	Quantity	Remarks
26	GB/T97.1-2002-8	垫圈	Washer 8	4	
27	GB/T5783-2000-M8×45	螺栓	Bolt M8×45	4	
28	GB/T5783-2000- M8×28	螺栓	Bolt M8×28	4	
29	N485-09005	盖板	Cover	2	
30	GB/T5783-2000-M8×16	螺栓	Bolt M8×16	8	
31	4L68-020009	喷油器压板	Injector clamping plate	3	
32	GB/T97.1-2002-10	垫圈	Washer 10	3	
33	GB/T859-1987-10	垫圈	Washer 10	3	
34	N485Q-09100	空气加热器	Air heater	1	

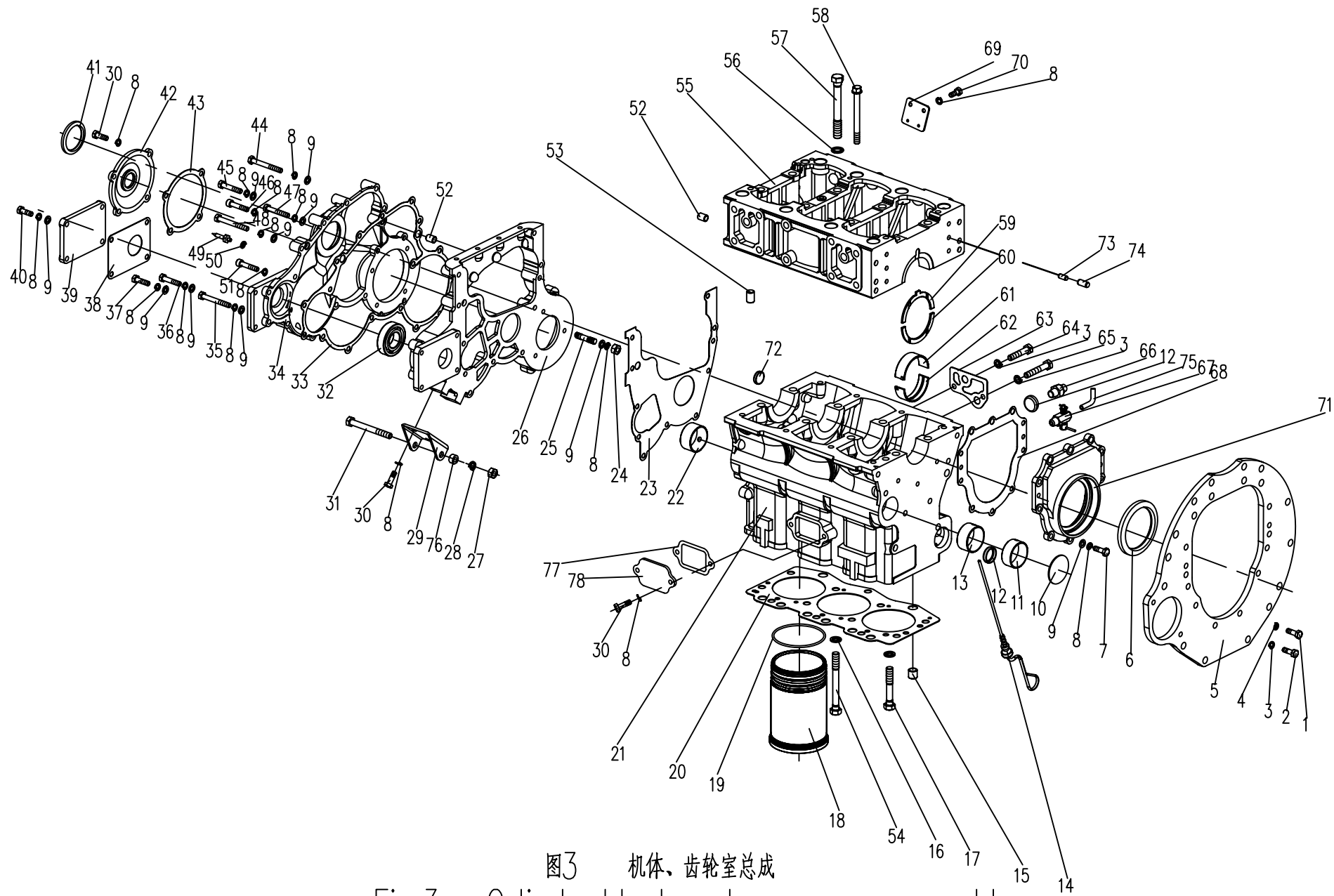


图3 机体、齿轮室总成
Fig.3 Cylinder block and gear case assembly

3. 机体、齿轮室总成 Cylinder Block and Gear Case Assembly(Fig. 3)

Ser.No.	Part No.	名称及规格	Name & Specifications	Quantity	Remarks
1	GB/T5782-2000- M10×25	螺栓	Bolt M10×25	10	
2	GB/T5782-2000- M12×25	螺栓	Bolt M12×25	2	
3	GB/T859-1987-12	垫圈	Washer 12	2	
4	GB/T859-1987-10	垫圈	Washer 10	12	
5	N390T-03012F	飞轮壳	Flywheel housing	1	
6	HG4-692-67-DL85×110×12	油封	Oil seal DL85×110×12	1	
7	GB/T5783-2000-M8×25	螺栓	Bolt M8×25	7	
8	GB/T859-1987-8	垫圈	Washer 8	48	
9	GB/T848-1985-8	垫圈	Washer 8	42	
10	N85-03108	塞片	Expansion plug	1	
11	4L88-031009A	凸轮轴后衬套	Camshaft rear bushing	1	
12	N85-03102	碗形塞	Expansion plug φ 30	4	
13	4L88-031012	凸轮轴衬套	Camshaft middle bushing	1	
14	N390T-03301A	机油尺部件	Oil dipstick	1	
15	N85-03017	气缸盖定位套	Cylinder head locating sleeve	2	
16	N85-03014	气缸盖螺栓垫圈	Cylinder head bolt washer	14	
17	N85-03015-2	气缸盖长螺栓	Long cylinder head bolt	11	
18	ZN390TE-03003	气缸套	Cylinder liner	3	
19	N90-03002	封水圈	Water seal ring	6	
20	ZN390TE-03013	气缸盖垫片	Cylinder head gasket	1	
21	N390T-03101	机体	Cylinder block	1	
22	4L88-031012 (A)	凸轮轴前衬套	Camshaft bushing	1	
23	N85-12001	齿轮室垫片	Gear case gasket	1	
24	GB/T6170-2000-M8	螺母	Nut M8	3	
25	GB/T899-1988-M8×35	螺栓	Bolt M8×35	3	

3. 机体、齿轮室总成 Cylinder Block and Gear Case Assembly(Fig. 3)

续表

Ser.No.	Part No.	名称及规格	Name & Specifications	Quantity	Remarks
26	N85T-12002	齿轮室	Gear case	1	
27	GB/T6170-2000-M10	螺母	Nut M10	1	
28	GB/T93-1987-10	垫圈	Washer 10	1	
29	N390T-12007 (C)	发电机支架	Generator bracket	1	
30	GB/T5782-2000-M8×20	螺栓	Bolt M8×20	8	
31	GB/T5782-2000-M10×90	螺栓	Bolt M10×90	1	
32	GB/T276-1982-6007	轴承	Bearing 6007	2	
33	N85T-12003	齿轮室盖垫片	Gear case cover gasket	1	
34	N85T-12004	齿轮室盖	Gear case cover	1	
35	GB/T5782-2000-M8×65	螺栓	Bolt M8×65	3	
36	GB/T5782-2000-M8×40	螺栓	Bolt M8×40	1	
37	GB/T5782-2000-M8×30	螺栓	Bolt M8×30	2	
38	N85T-12010	液压泵盖垫片	Hydraulic pump cover gasket	2	
39	N85T-12009	液压泵盖	Hydraulic pump cover	2	
40	GB/T5782-2000-M8×25	螺栓	Bolt M8×25	11	
41	GB/T9877-2008-DR52×72×12	油封	Oil seal DR52×72×12	1	
42	N485T-12005	齿轮室前盖	Gear case front cover	1	
43	N485T-12006	齿轮室前盖垫片	Gear case front cover gasket	1	
44	GB/T5782-2000-M8×80	螺栓	Bolt M8×80	1	
45	GB/T5782-2000-M8×45	螺栓	Bolt M8×45	3	
46	GB/T70-1985-M8×55	内六角圆柱头螺钉	Inner hexagon cylindrical bolt M8×55	1	
47	GB/T5782-2000-M8×50	螺栓	Bolt M8×50	2	
48	GB/T5782-2000-M8×75	螺栓	Bolt M8×75	1	
49	N85T-12008	上止点指针	T.D.C. pointer	1	
50	GB/T859-1987-6	垫圈	Washer 6	1	

3. 机体、齿轮室总成 Cylinder Block and Gear Case Assembly(Fig. 3)

续表

Ser.No.	Part No.	名称及规格	Name & Specifications	Quantity	Remarks
51	GB/T70-1985-M8×20	内六角圆柱头螺钉	Inner hexagon cylindrical bolt M8×20	3	
52	N85-03001	齿轮室定位套	Gear case locating sleeve	3	
53	N85T-03110	定位销	Dowel pin	2	
54	N85-03016-2	气缸盖长螺栓	Short cylinder head bolt	3	
55	N390T-03115	整体主轴盖	Monolithic main shaft cover	1	
56	N85-03105	主轴承盖螺栓垫圈	Main shaft cover bolt washer	8	
57	N85T-03107	主轴承盖螺栓	Main shaft cover bolt	8	
58	N85T-03108	床板螺栓	Main bearing cap bolt	8	
59	N85-03007	曲轴止推片(下)	Crankshaft thrust plate(lower)	2	
60	N85-03009	曲轴止推片(上)	Crankshaft thrust plate(upper)	2	
61	N85-03006	主轴瓦(下)	Main bearing shell(lower)	4	
62	N85-03008	主轴瓦(上)	Main bearing shell(upper)	4	
63	N85T-03020	机油滤清器垫片	Lubricating oil filter gasket	1	
64	GB/T5782-2000-M10×35	螺栓	Bolt M10×35	1	
65	GB/T5782-2000-M10×70	螺栓	Bolt M10×70	1	
66	N85-03004	机油压力传感器	Oil pressure sensor	1	
67	ZN390TE-03200	放水开关部件	Water draining cock	1	
68	N85T-03005	后油封盖垫片	Rear oil seal cover gasket	1	
69	N390T-03024C	柴油滤清器支架	Fuel filter support	1	
70	GB/T5783-2000-M8×20	螺栓	Bolt M8×20	4	
71	N85T-03010	后油封盖	Rear oil seal cover	1	
72	N85-03111	堵塞	Blocking plug	4	
73	GB/T119-2000- B8×16	销	Pin B8×16	2	
74	GB/T119-2000- B10×22	销	Pin B10×22	2	
75	ZN390T-03202	放水开关接管	Water draining cock pipe	1	

3. 机体、齿轮室总成 Cylinder Block and Gear Case Assembly (Fig. 3)

续表

Ser.No.	Part No.	名称及规格	Name & Specifications	Quantity	Remarks
	CZ475Q-120009	发电机支架垫套	Generator bracket cushion	1	
	N85-19005	推杆室盖垫片	Push-rod chamber cover gasket	1	
	ZN390TE-03025B	推杆室盖板	Push-rod chamber cover	1	

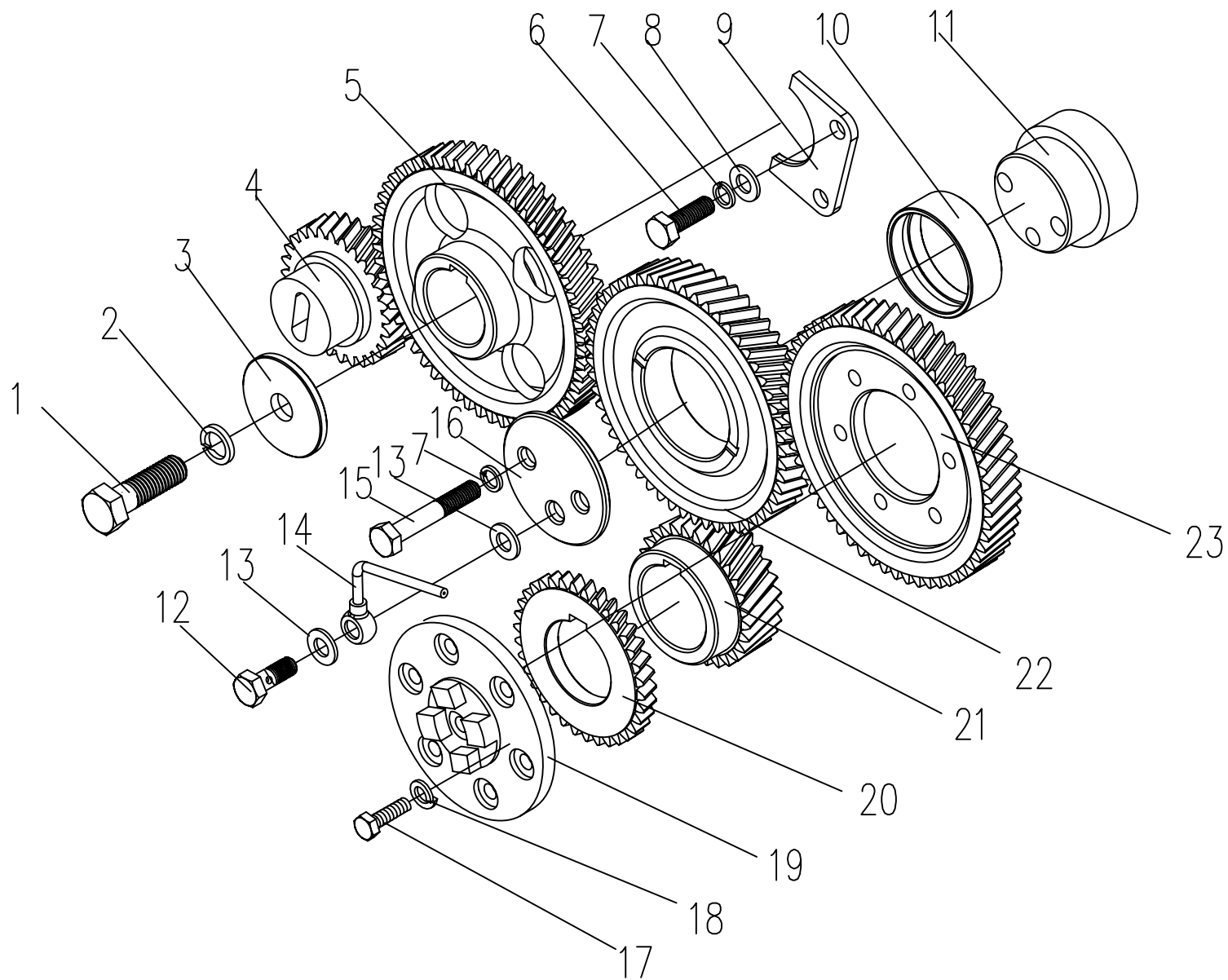


图4 正时齿轮系总成
Fig.4 Timing gear train

4. 正时齿轮系总成 Timing Gear Train(Fig. 4)

Ser.No.	Part No.	名称及规格	Name & Specifications	Quantity	Remarks
1	GB/T5782-2000-M12×30	螺栓	Bolt M12×30	1	
2	GB/T859-1987-12	垫圈	Washer 12	1	
3	N85-04009	凸轮轴正时齿轮压板	Camshaft timing gear retainer	1	
4	N85T-04011A-1	液压泵齿轮	Hydraulic pump gear	1	
5	N85T-04007	凸轮轴正时齿轮	Camshaft timing gear	1	
6	GB/T5782-2000-M8×16	螺栓	Bolt M8×16	2	
7	GB/T859-1987-8	垫圈	Washer 8	4	
8	GB/T97.1-2002-8	垫圈	Washer 8	2	
9	N85-04008	凸轮轴压板	Camshaft retainer	1	
10	4L88-040002	正时惰齿轮衬套	Timing idle gear bushing	1	
11	N85T-04004A	正时惰齿轮轴	Timing idle gear shaft	1	
12	N85T-04012	空心螺栓	Hollow bolt	1	
13	195-09001-1	垫圈	Washer	2	
14	N85T-04100	喷油管部件	Oil pipe	1	
15	GB/T5782-2000-M8×50	螺栓	Bolt M8×50	2	
16	N85T-04003	正时惰齿轮压板	Timing idle gear retainer	1	
17	GB/T5783-2000- M6×25	螺栓	Bolt M6×25	6	
18	GB/T859-1987-6	垫圈	Washer 6	6	
19	N485T-32001D	联接盘	Adapter	1	
20	N85-04010	机油泵主动齿轮	Lubricating oil pump driving gear	1	
21	N85-04006	曲轴正时齿轮	Crankshaft timing gear	1	
22	4L88-040005	正时惰齿轮	Timing idle gear	1	
23	N485T-04001	燃油泵正时齿轮	Injection pump timing gear	1	

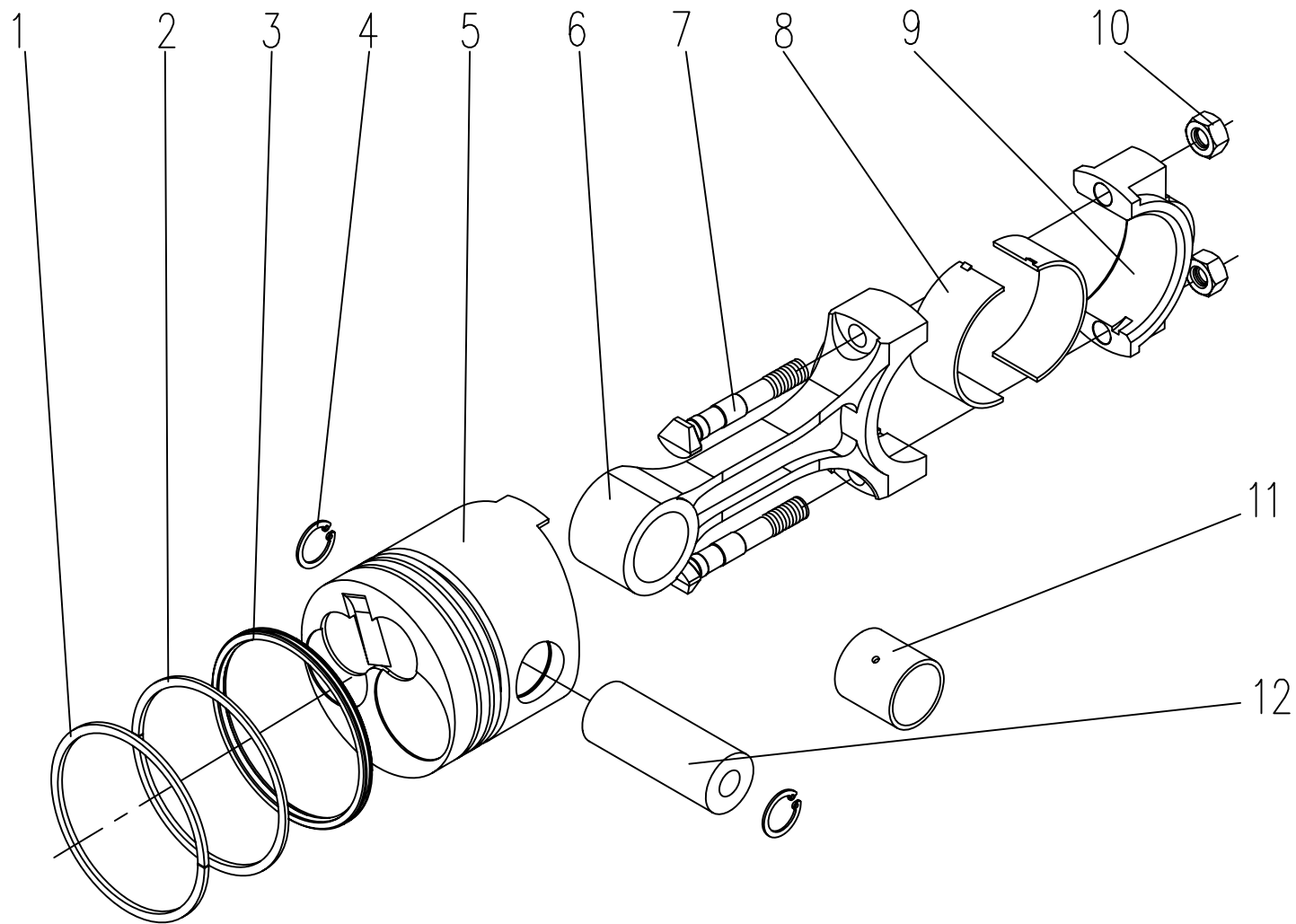


图5 活塞、连杆总成

Fig.5 Piston and connecting rod assembly

5. 活塞、连杆总成 Piston and Connecting Rod Assembly (Fig. 5)

Ser.No.	Part No.	名称及规格	Name & Specifications	Quantity	Remarks
1	ZN90QA-05002	第一道活塞环	1st piston ring	3	
2	N90-05003	第二道活塞环	2nd piston ring	3	
3	N90-05100	油环部件	Oil ring	3	
4	GB/T893.2-1986-28	挡圈	Circlip 28	6	
5	ZN390TE-05001	活塞	Piston	3	
6	N85-03201	连杆	Connecting rod	3	
7	N85-05203	连杆螺栓	Connecting rod bolt	6	
8	ZN85QA-05005	连杆轴瓦	Connecting rod bearing shell	6	
9	N85-05204	连杆盖	Connecting rod cap	3	
10	N85-05205	连杆螺母	Connecting rod nut	6	
11	N85-05202	连杆衬套	Connecting rod bushing	3	
12	N85-05004	活塞销	Piston pin	3	

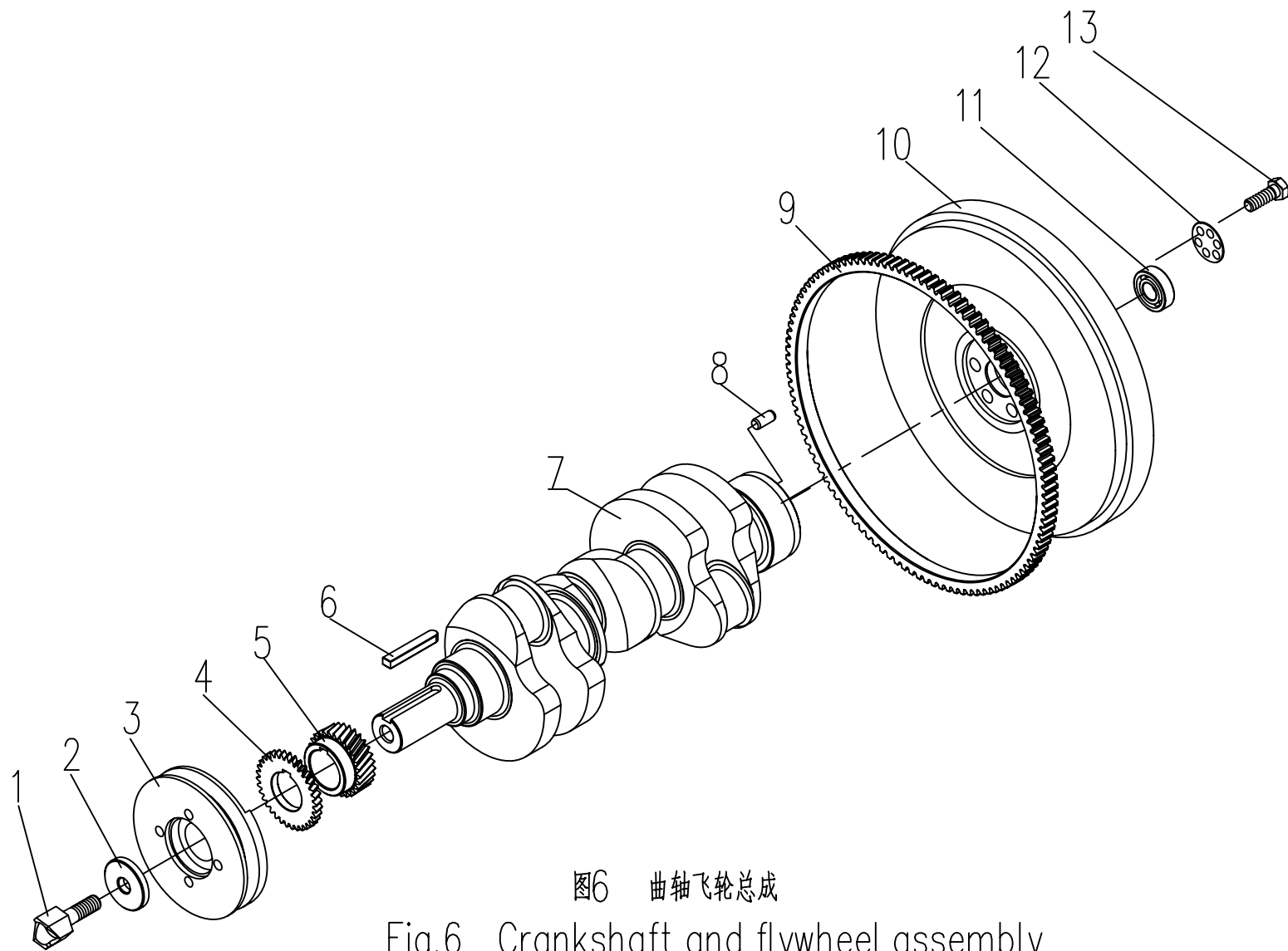


图6 曲轴飞轮总成

Fig.6 Crankshaft and flywheel assembly

6. 曲轴、飞轮总成 Crankshaft and Flywheel Assembly (Fig. 6)

Ser.No.	Part No.	名称及规格	Name & Specifications	Quantity	Remarks
1	N390T-06003	起动机爪	Starting jaw	1	
2	N85-06002	起动机爪垫圈	Starting jaw washer	1	
3	N390T-06001	曲轴皮带轮	Crankshaft pulley	1	
4	N85-04010	机油泵主动齿轮	Lubricating oil pump driving gear	1	
5	N85-04006	曲轴正时齿轮	Crankshaft timing gear	1	
6	GB/T1096-2003-C10×63	键	Key C10×63	1	
7	N385-06004	曲轴	Crankshaft	1	
8	GB/T119-2000-B10×20	销	Cylindrical pin B10×20	1	
9	N485-06102	飞轮齿圈	Flywheel ring gear	1	
10	N390T-06101(G)	飞轮	Flywheel	1	
11	GB/T276-1994-6004-2LS	滚动轴承	Ball bearing 6004-2LS	1	
12	N85-06005A	飞轮螺栓垫片	Flywheel bolt washer	1	
13	N390T-06006(B)	飞轮螺栓	Flywheel bolt	6	

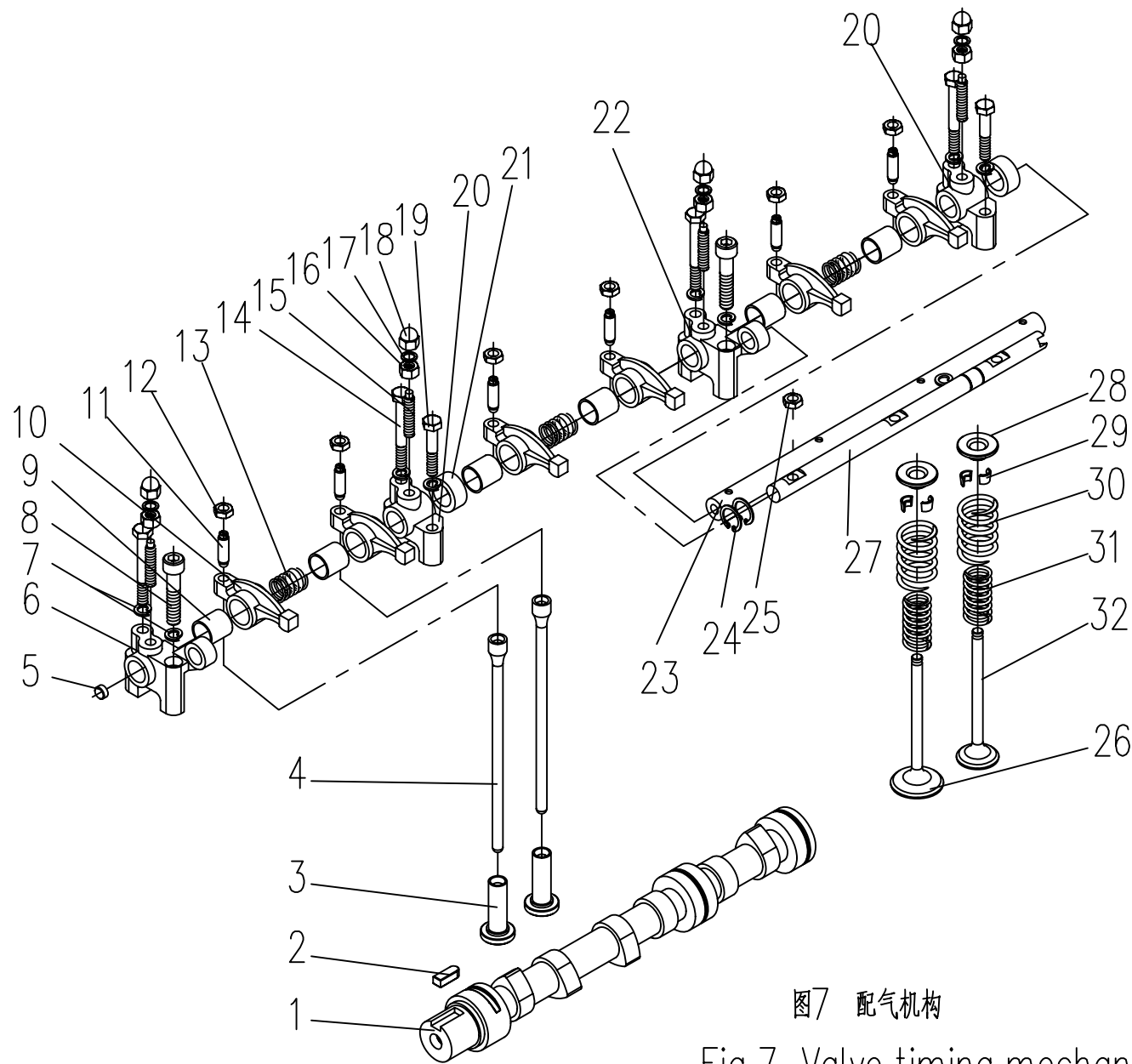


图7 配气机构

Fig.7 Valve timing mechanism

7. 配气机构 Valve Timing Mechanism(Fig. 7)

Ser.No.	Part No.	名称及规格	Name & Specifications	Quantity	Remarks
1	N385-07001	凸轮轴	Camshaft	1	
2	GB/T1096-2003- C10×25	平键	Falt key C10×25	1	
3	N85-07003	气门挺柱	Valve tappet	6	
4	ZN390TE-07002	气门推杆	Valve push rod	6	
5	N85-02208	堵塞	Blocking plug	2	
6	N390T-02201	前摇臂座	Front rocker arm support	1	
7	GB/T859-1987-8	垫圈	Washer 8	6	
8	GB/T70-1985-M8×45	螺钉	Screw M8×45	3	
9	N85-02212	气门摇臂衬套	Valve rocker arm bushing	6	
10	N85-02211	气门摇臂	Valve rocker arm	6	
11	N85-02202	气门间隙调整螺钉	Valve clearance adjusting screw	6	
12	N85-02203	气门间隙调整螺母	Valve clearance adjusting nut	6	
13	N85-02205	气门摇臂弹簧	Valve rocker arm spring	3	
14	GB/T5782-2000-M8×60	螺栓	Bolt M8×60	4	
15	GB/T79-1985-M8×50	螺钉	Screw M8×50	4	
16	GB/T6170-2000-M8	螺母	Nut M8	4	
17	GB/T97.1-2002-8	垫圈	Washer 8	4	
18	GB/T923-2000- M8	螺母	Nut M8	4	
19	GB/T5782-2000- M8×45	螺栓	Bolt M8×45	2	
20	N85-02204	摇臂座	Rocker arm support	2	
21	N85-02206	轴套	Rocker arm shaft bushing	2	
22	N85-02204	摇臂座	Rocker arm support	1	
23	N385-02207	摇臂轴	Rocker arm shaft	1	
24	GB/T894.1-1986-14	挡圈	Circlip 14	2	
25	GB/T6172-2000-M8×1	螺母	Nut M8×1	3	

7. 配气机构 Valve Timing Mechanism(Fig. 7)

续表

Ser.No.	Part No.	名称及规格	Name & Specifications	Quantity	Remarks
26	ZN390TE-02008	进气门	Intake valve	3	
27	N390T-01013	减压轴	Decompression shaft	1	
28	N85-02001(1)	气门弹簧上座	Valve spring seat(upper)	6	
29	N85-02002	气门锁夹	Valve collet	12	
30	N85-02003(1)	气门外弹簧	Valve outer spring	6	
31	N85-02003(2)	气门内弹簧	Valve inner spring	6	
32	ZN390TE-02007	排气门	Exhaust valve	3	

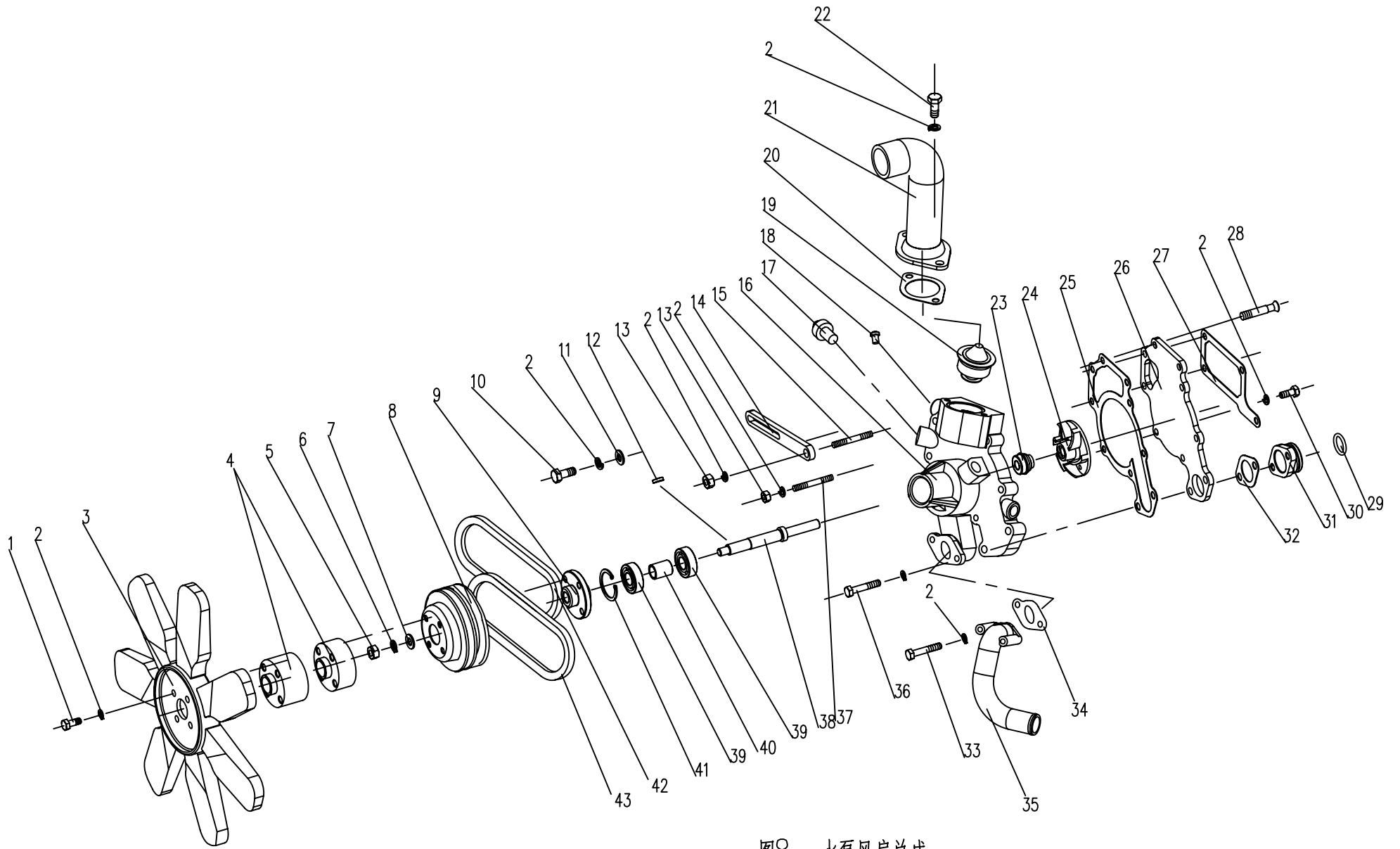


图8 水泵风扇总成

Fig.8 Water Pump and Fan Assembly

借(通)用件登记
插(录)入图
插(录)入表
旧底图总号
底图总号
签字
日期

8. 水泵、风扇总成 Water Pump and Fan Assembly (Fig. 8)

Ser.No.	Part No.	名称及规格	Name & Specifications	Quantity	Remarks
1	GB/T5783-2000-M8×85	螺栓	Bolt M8×85	4	
2	GB/T859-1987-8	垫圈	Washer 8	17	
3	CC490Q-080012	冷却风扇 (φ380 吸风)	Cooling fan (φ380 吸风)	1	
4	N390T-08020 (B)	风扇垫块组件	Fan pad	2	
5	GB/T6170-2000-M10	螺母	Nut M10	1	
6	GB/T859-1987-10	垫圈	Washer 10	1	
7	GB/T97.1-2002-10	垫圈	Washer 10	1	
8	N390T-08011(A)	水泵皮带轮	Water pump pulley	1	
9	N485T-08012	水泵皮带轮壳	Water pump pulley housing	1	
10	GB/T5783-2000-M8×25	螺栓M8×25	Bolt M8×25	1	
11	GB/T97.1-2002-8	垫圈8	Washer 8	1	
12	GB/T1099-2003-4×36	键4×36	Key 4×36	1	
13	GB/T6170-2000-M8	螺母M8	Nut M8	4	
14	N390T-08018C	撑杆	Bracing	1	
15	GB/T898-1976-M8×50	螺柱M8×50	Stud M8×50	1	
16	N85T-08004E	水泵壳体	Water pump housing	1	
17	CZ475Q-170006	螺塞	Plug	1	
18	N390T-03025A	闷盖		1	
19	N85Q-17003	节温器t (Model 155B)	Thermostat (Model 155B)	1	
20	N85T-08008	节温器壳垫片	Thermostat housing gasket	1	
21	N485Q-17001(R)	节温器盖	Thermostat cover	1	
22	GB/T5783-2000-M8×30	螺栓M8×30	olt M8×30	2	
23	N85T-08003	水封IF-12	Water seal ring IF-12	1	
24	N85T-08005	水泵叶轮	Water pump impeller	1	
25	N85T-08009	Water pump gasket	Water pump gasket	1	

8. 水泵、风扇总成 Water Pump and Fan Assembly (Fig. 8)

续表

Ser.No.	Part No.	名称及规格	Name & Specifications	Quantity	Remarks
26	N85T-08010	水泵连接板	Water pump adapter	1	
27	N85T-08017	水泵连接板垫片	Water pump adapter gasket	1	
28	GB/T68-2000-M8×16	螺钉M8×16	Screw M8×16	2	
29	GB/T3452.1-2005- 40×3.1	O型密封圈 40×3.1	Seal ring 40×3.1	1	
30	GB/T5783-2000-M8×20	螺栓M8×20	Bolt M8×20	2	
31	N85T-08013	出水接头	Water drain connector	1	
32	N85T-08014	出水接头垫片	Water drain connector gasket	1	
33	GB/T5782-2000-M8×80	螺栓M8×80	Bolt M8×80	2	
34	N485T-08022	垫片	gasket	1	
35	N485T-08021	进水管	Water pipe	1	
36	GB/T5780-2000-M8×45	螺栓M8×45	Bolt M8×45	2	
37	GB/T898-1988-M8×45	螺柱M8×45	Stud M8×45	3	
38	N85T-08006	水泵轴	Water pump shaft	1	
39	GB/T276-1994-6007	滚动轴承6007	Ball bearing 6007	2	
40	N85T-08002	轴承隔套	Bearing spacing sleeve	1	
41	GB/T893.2-1986-35	挡圈35	Circlip 35	1	
42	GB12732-2008-AV15×900	风扇皮带AV15×900 (常柴标识)	Fan belt AV15×900	1	
43	GB12732-2008-AV15×650	风扇皮带AV15×650 (常柴标识)	Fan belt AV15×650	1	

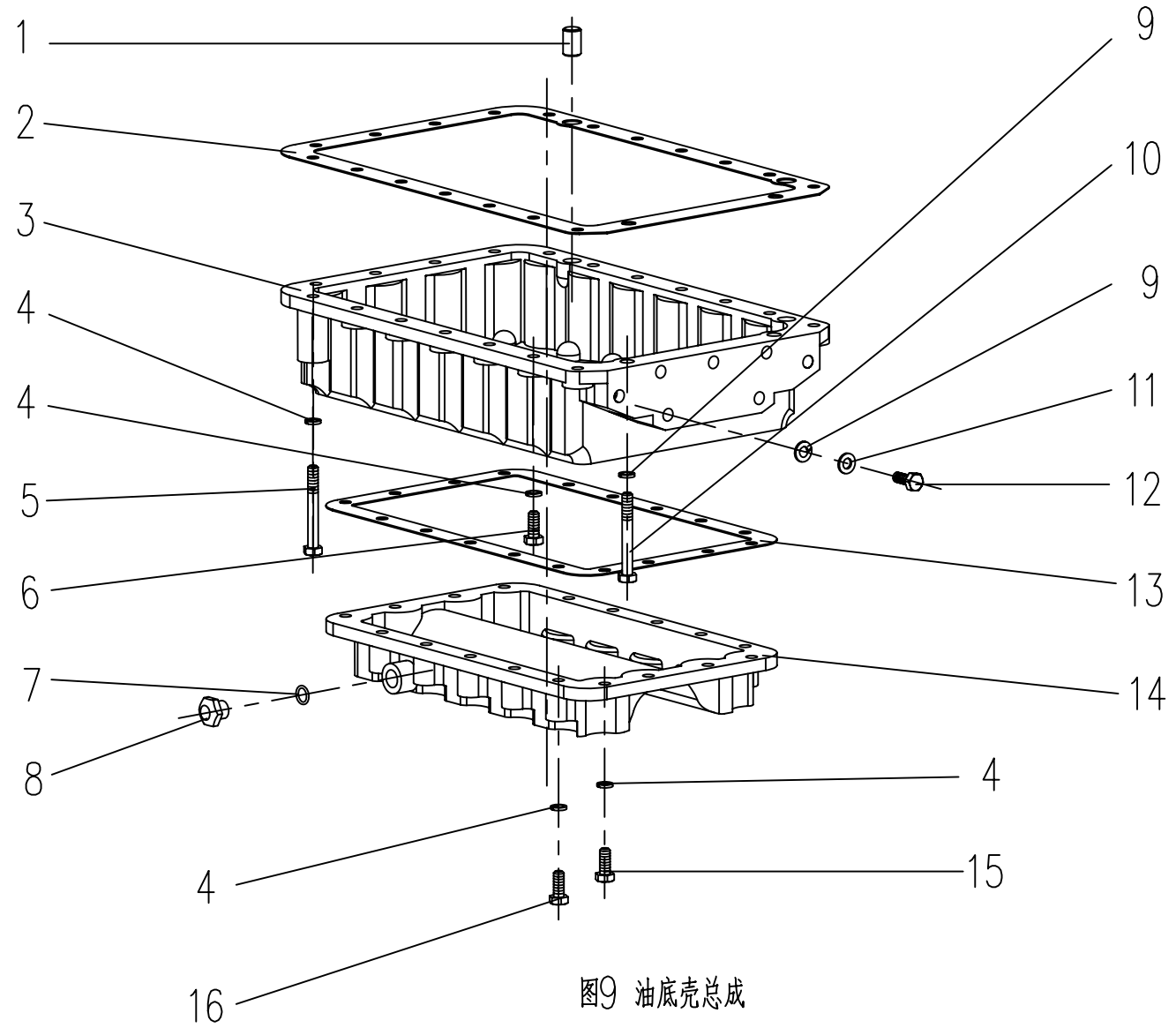


图9 油底壳总成

Fig.9 Oil Sump Assembly

9. 油底壳总成 Oil Sump Assembly (Fig. 9)

Ser.No.	Part No.	名称及规格	Name & Specifications	Quantity	Remarks
1	N485T-03110	定位销	Dowel pin	2	
2	N390T-11001-1	油底壳垫片	Oil sump gasket	1	
3	N390T-11004-1	油底	Oil sump	1	
4	GB/T93-1987-8	垫圈8	Washer 8	39	
5	GB/T5782-2000-M8×55	螺栓M8×55	Bolt M8×55	1	
6	GB/T5783-2000-M8×30	螺栓M8×30	Bolt M8×30	17	
7	GB/T3452.1-2005	O形密封圈	O Seal ring	2	
8	195-01026	闷头	Plug	2	
9	GB/T93-1987-10	垫圈10	Washer 10	6	
10	GB/T5782-2000-M10×30	螺栓M10×30	Bolt M10×30	2	
11	GB/T95-2002-10-100HV	垫圈10-100HV	Washer 10-100HV	4	
12	GB/T5783-2000-M10×30	螺栓M10×30	Bolt M10×30	4	
13	N390T-11005-1	副油底壳垫片	Auxiliary oil sump gasket	1	
14	N390T-11006A	副油底壳	Auxiliary oil sump	1	
15	GB/T5783-2000-M8×25	螺栓M8×25	Bolt M8×25	11	
16	GB/T5783-2000-M8×45	螺栓M8×45	Bolt M8×45	10	

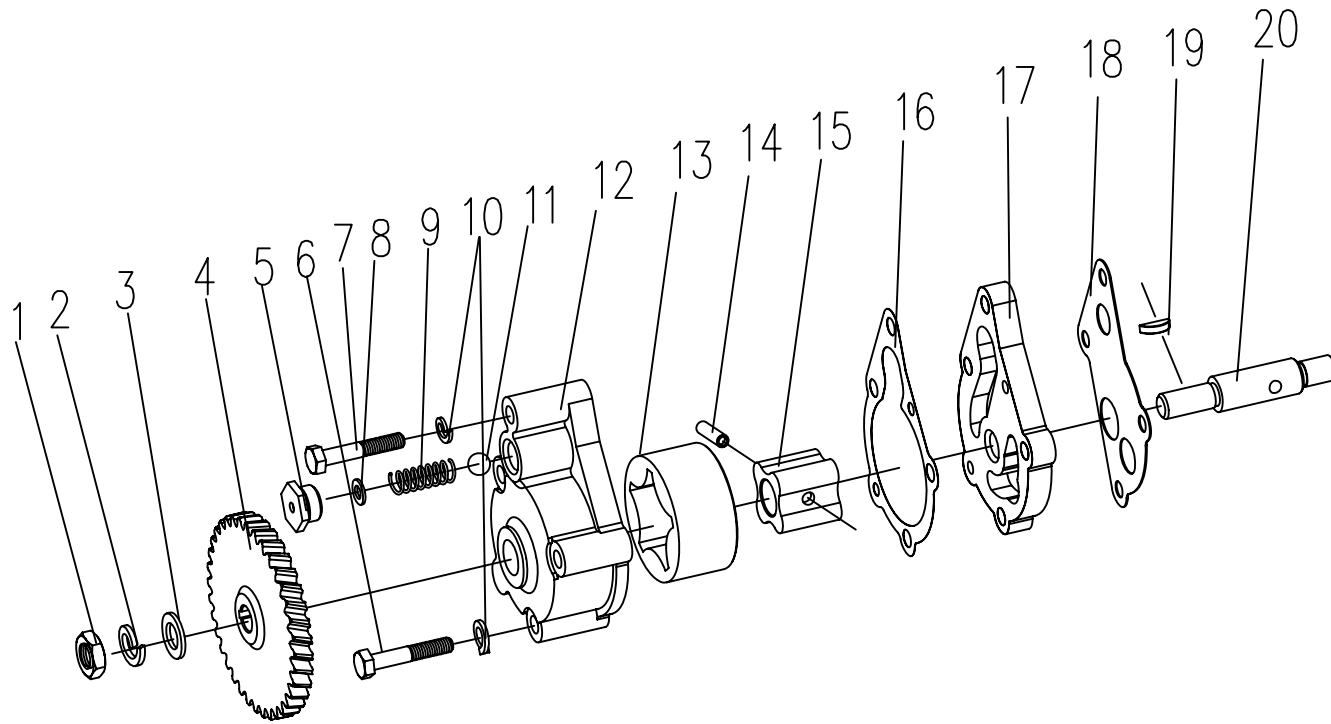


图10 机油泵总成

Fig.10 Lubricating Oil Pump Assembly

10. 机油泵总成 Lubricating Oil Pump Assembly (Fig. 10)

Ser.No.	Part No.	名称及规格	Name & Specifications	Quantity	Remarks
1	GB/T6173-2000-M10×1	螺母M10×1	Nut M10×1	1	
2	GB/T859-1987-10	垫圈10	Washer 10	1	
3	GB/T848-1985-10	垫圈10	Washer 10	1	
4	N485Q-13007(C)-1	机油泵齿轮	Oil pump gear	1	
5	N85-13006	限压阀塞	Pressure-limiting plug	1	
6	GB/T5782-2000-M6×50	螺栓M6×50	Bolt M6×50	3	
7	GB/T5782-2000-M6×55	螺栓M6×55	Bolt M6×55	1	
8	GB/T859-1987-4	垫圈4	Washer 4	4	
9	N85-13005	限压弹簧	Pressure-limiting spring	1	
10	GB/T859-1987-6	垫圈6	Washer 6	4	
11	GB/T308-2002	钢球1	Steel ball	1	
12	N485-13001(A)	机油泵体	Oil pump body	1	
13	N485-13004(A)	外转子	Outer rotor	1	
14	N85-13103(A)	圆柱销	Cylindrical pin	1	
15	N485-13102(A)	内转子	Inner rotor	1	
16	N485-13008(A)	调整垫片	Adjusting shim	1	
17	N85-13002(A)	机油泵盖	Oil pump cover	1	
18	N85-13003	垫片	Gasket	1	
19	GB/T1099-1979-3×5×13	键3×5×13	Key3×5×13	1	
20	N485-13101(A)	机油泵轴	Oil pump shaft	1	

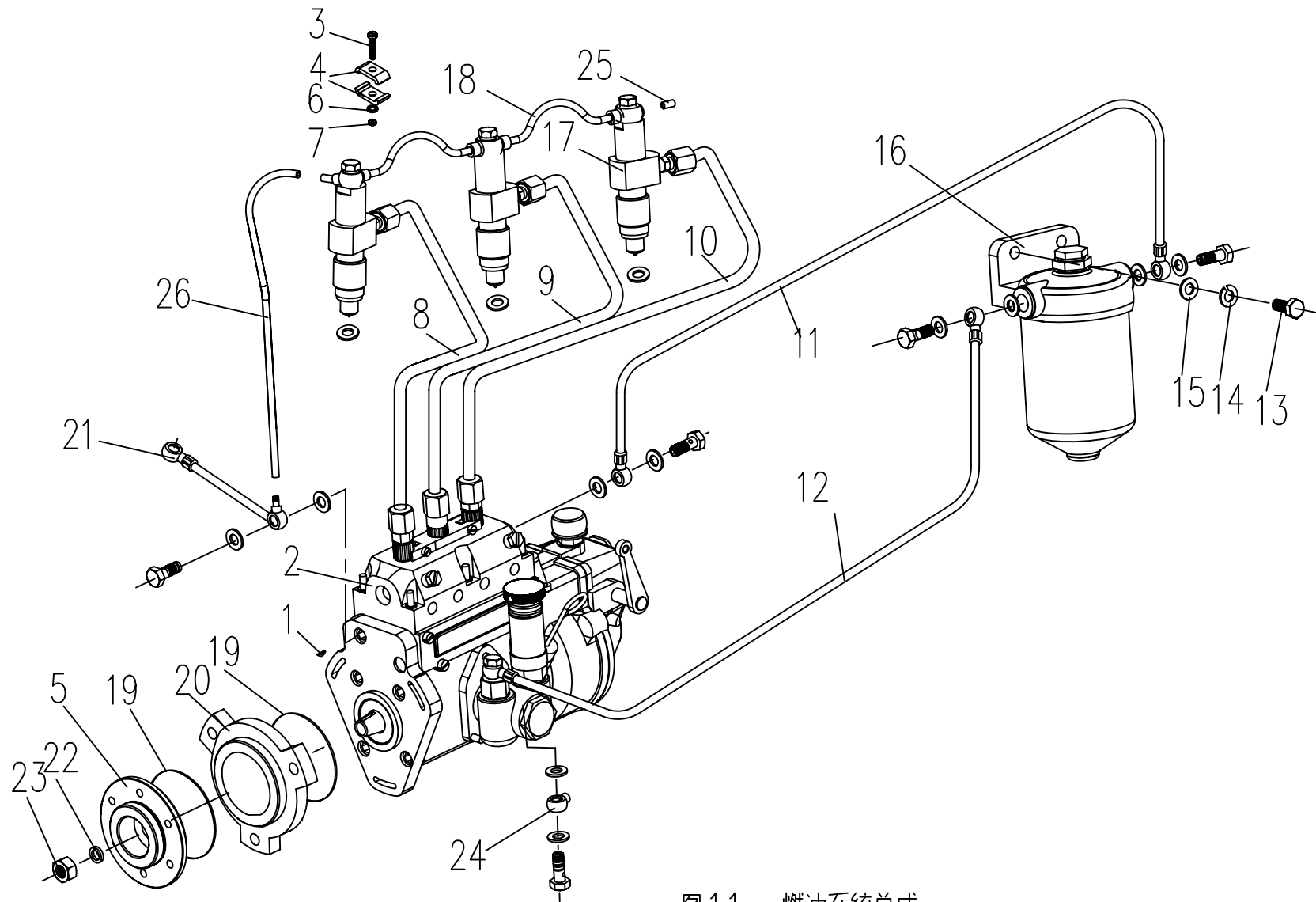


图11 燃油系统总成

Fig.11 Fuel System

11. 燃油系统总成 Fuel System (Fig.11)

Ser.No.	Part No.	名称及规格	Name & Specifications	Quantity	Remarks
1	GB/T1099.1-2007-3×16	半圆键3×16	Woodruff 3×16	1	
2	ZN390TE-18001C	喷油泵总成	Injection pump	1	
3	GB/T65-2000-M5×20	圆柱头螺钉M5×20	Cylindrical screw M5×20	2	
4	N85-14001	夹箍 (A)	Pipe clip(A)	4	
5	N85-18005	喷油泵正时齿轮联接盘I	Injection pump timing gear adapter	1	
6	GB/T859-1987-5	弹簧垫圈5	Spring washer 5	2	
7	GB/T6170-2000-M5	螺母M5	nut M5	2	
8	4L68-141000	第一缸高压油管部件	1 st cylinder high pressure fuel pipe	1	
9	4L68-142000	第二缸高压油管部件	2 nd cylinder high pressure fuel pipe	1	
10	4L68-143000	第三缸高压油管部件	3 rd cylinder high pressure fuel pipe	1	
11	N390T-15300E	滤清器出油管部件	Fuel filter outlet pipe	1	
12	N485-15400(A)	输油泵出油管部件	Fuel feed pump outlet pipe	1	
13	GB/T5782-2000-M8×25	螺栓M8×25	Bolt M8×25	2	
14	GB/T859-1987-8	垫圈8	washer 8	2	
15	GB/T848-2002-8	垫圈8	washer 8	2	
16	N485-28000(A)	柴油滤清器总成	Fuel filter	1	
17	ZN390TE-25000A	喷油器总成	Injector	3	
18	4L68-150002-φ6×2×110	回油管 φ6×2×110	Fuel return pipe φ6×2×110	2	
19	GB/T3452.1-1992-77.6×2.65	O型密封圈77.6×2.65	Seal ring 77.6×2.65	2	
20	N85-18003A	喷油泵垫块	Injection pump end cover	1	
21	4L68-151000(D)-1	喷油器回油管接头部件	Injector fuel return pipe	1	
22	GB/T93-1987-12	垫圈 12	washer 12	1	
23	GB/T6170-2000-M12	螺母 M12	nut M12	1	
24	N85-15500A	输油泵进油管接头部件	Fuel feed pump inlet connection	1	
25	4L68-150001-3	喷油器回油套	Injector fuel return cover	1	
26	4L68-150003	回油总管	Fuel return main pipe	1	

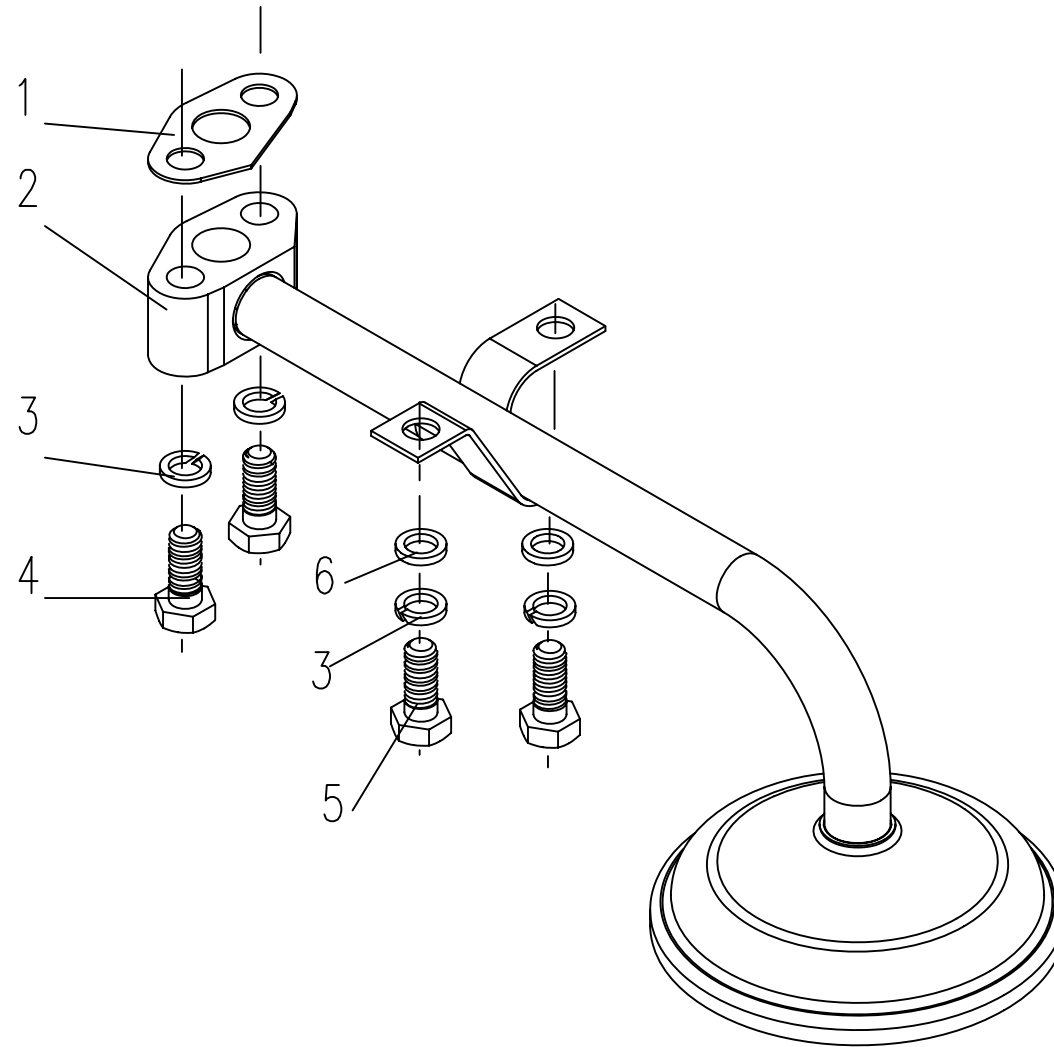


图12 机油集滤器总成

Fig.12 Oil suction Strainer Assembly

12. 机油集滤器总成 Oil Suction Strainer Assembly (Fig. 12)

Ser.No.	Part No.	名称及规格	Name & Specifications	Quantity	Remarks
1	N390T-16002	垫片	Gasket	1	
2	N390T-16000A	机油集滤器总成	Oil suction strainer	1	
3	GB/T859-1987-6	垫圈 6	washer 6	4	
4	GB/T5782-2000- M6×35	螺栓M6×35	bolt M6×35	2	
5	GB/T5783-2000- M6×16	螺栓M6×16	bolt M6×16	2	
6	GB/T848-2002-8	垫圈8	washer 8	2	

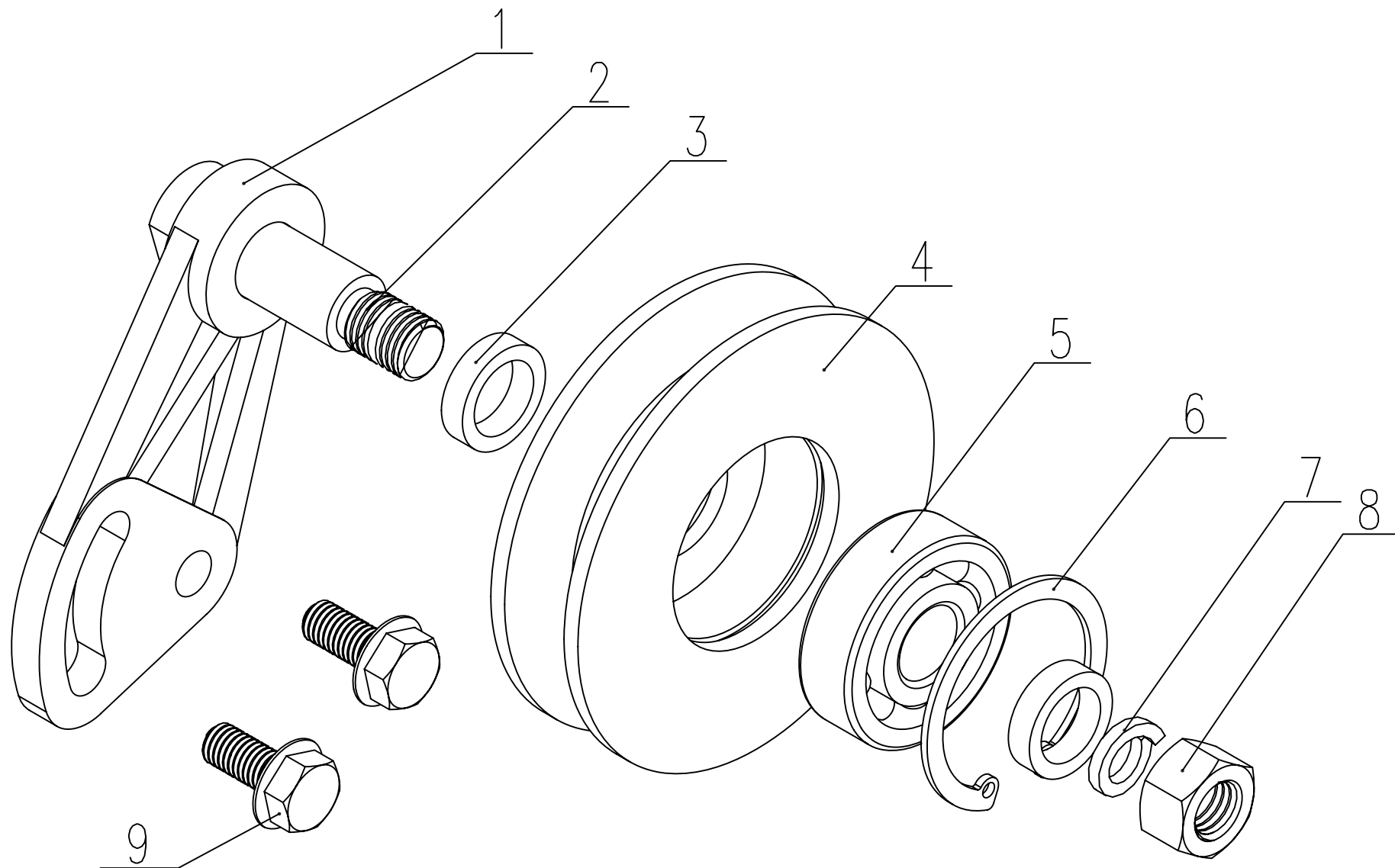


图13 张紧轮部件

Fig.13 Tension pulley assembly

13. 张紧轮部件 Tension pulley assembly (Fig. 13)

Ser.No.	Part No.	名称及规格	Name & Specifications	Quantity	Remarks
1	N390T-21002	张紧轮支架	Tension pulley bracket	1	
2	N390T-21004	张紧轮轴	Tension pulley shaft	1	
3	N390T-21003	套圈	Bush ring	2	
4	N390T-21001	张紧轮	Tension pulley	1	
5	GB/T276-1994-6302E-2RS	轴承6302E-2RS	Bearing 6302E-2RS	1	
6	GB/T893.1-86-42	挡圈42	Thrust ring 42	1	
7	GB/T93-1987-12	垫圈12	Washer 12	1	
8	GB/T6170-2000-M12	螺母M12	Nut M12	1	
9	GB/T5789-2000-M8×18	螺栓M8×18	Bolt M8×18	2	

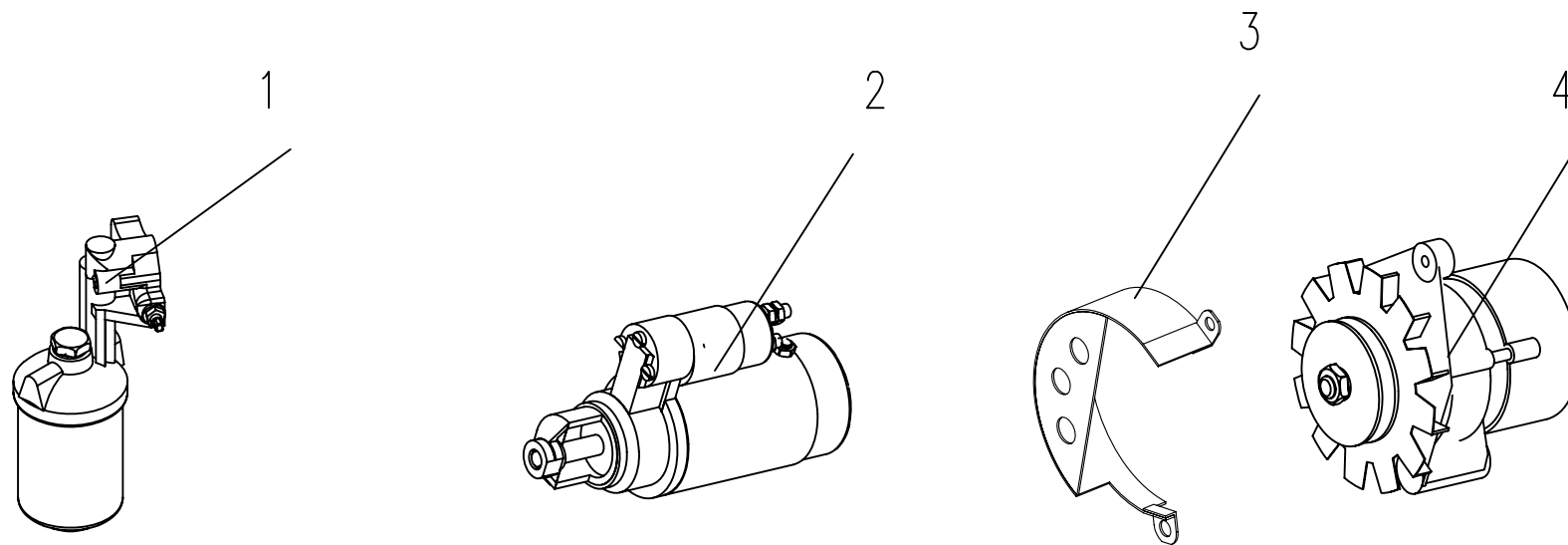


图14 机滤、发电机、起动电机

Fig.14 Oil Filter/Generator/Starting Motor

14. 机滤、发电机、起动电机 Oil Filter/Air Filter/Generator/Starting Motor/Silencer
(Fig. 14)

Ser.No.	Part No.	名称及规格	Name & Specifications	Quantity	Remarks
1	N85T-26000	机油滤清器总成	Lubricating oil filter	1	
2	N485-30000(A)	起动电机总成	Starting motor	1	
3	N390T-29200B	发电机防护罩焊接件		1	
4	N85Q-29000	充电发电机总成	Charging generator	1	

45. 机滤、发电机、起动电机 Oil Filter/Air Filter/Generator/Starting Motor/Silencer
(Fig. 14)

Ser.No.	Part No.	名称及规格	Name & Specifications	Quantity	Remarks
1	N85T-26000	机油滤清器总成	Lubricating oil filter	1	
2	N485-30000(A)	起动电机总成	Starting motor	1	
3	N390T-29200B	发电机防护罩焊接件		1	
4	N85Q-29000	充电发电机总成	Charging generator	1	